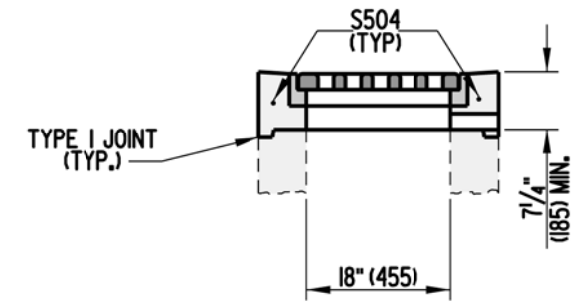
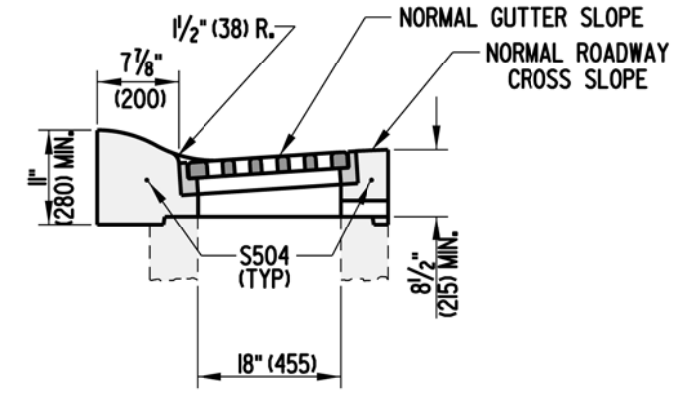


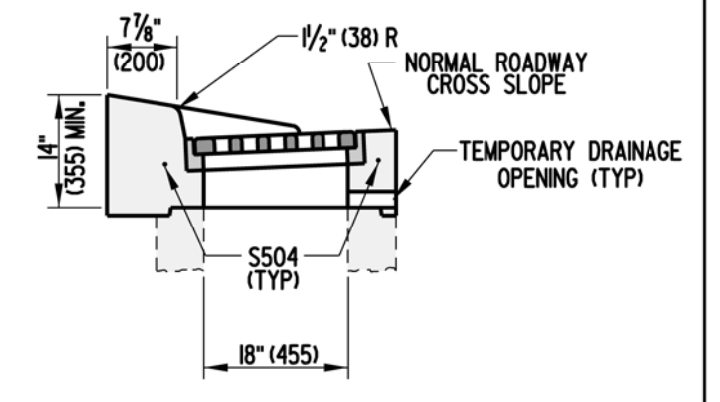
TOP VIEW



TYPE A

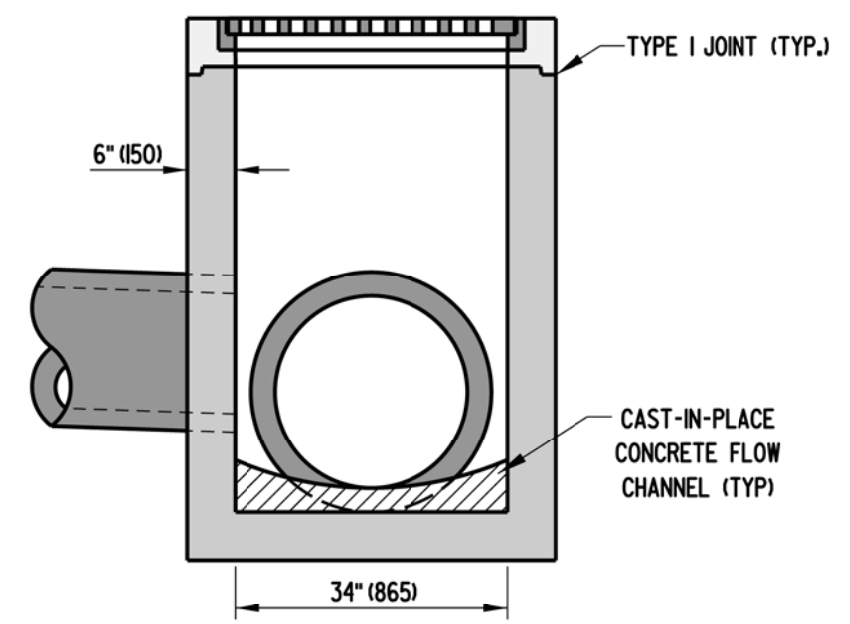


TYPE D

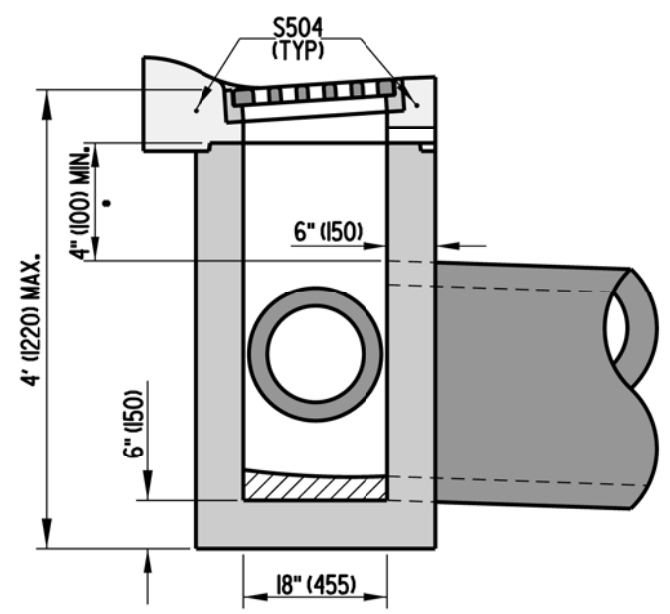


TYPE E

TOP UNIT DETAILS

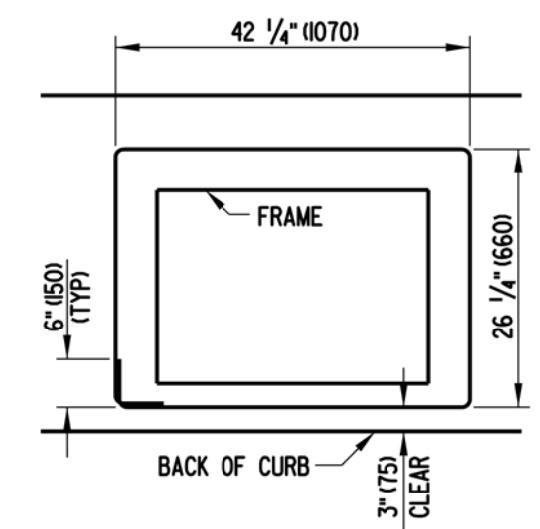


SECTION A-A



SECTION B-B

• - SEE OPTIONAL PIPE OPENING DETAIL ON STANDARD D-4, SHEET 1 OF 1.



S504 BENDING DIAGRAM

S504 IS NOT REQUIRED TO BE ONE CONTINUOUS BAR. IF MORE THAN ONE BAR IS USED, THERE MUST BE A 12" (300) OVERLAP BETWEEN BARS.

- NOTES:
 1.) REFER TO PREVIOUS SHEETS FOR REINFORCEMENT REQUIREMENTS
 2.) THE HEIGHT OF THIS INLET IS LIMITED TO 4' (1220) MAXIMUM, THEREFORE STEPS WILL NOT BE REQUIRED AND SHOULD NOT BE INSTALLED ON THIS INLET.