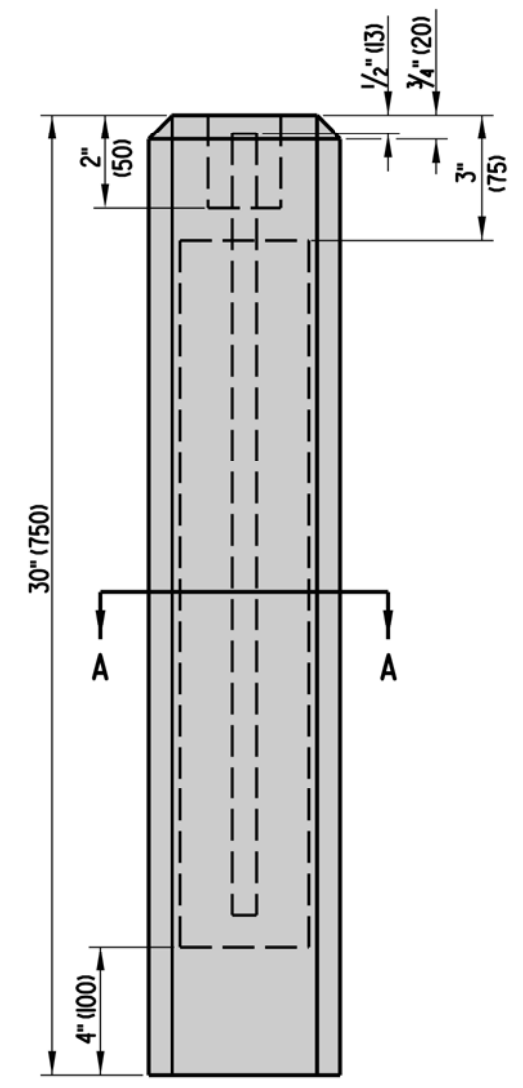
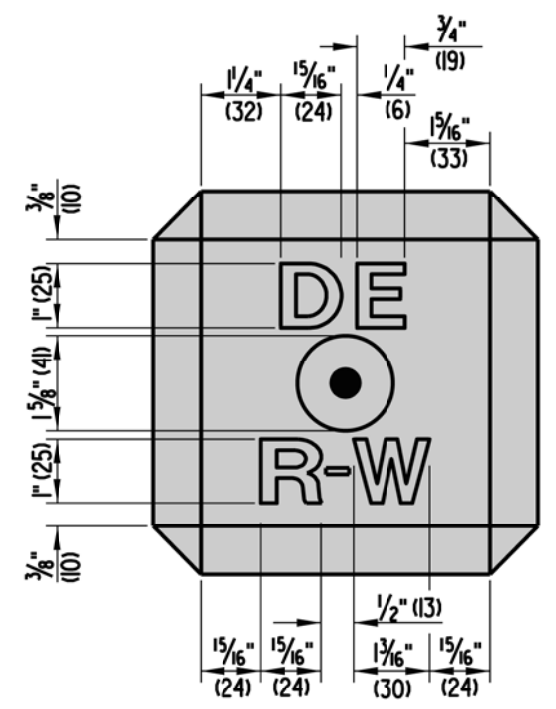


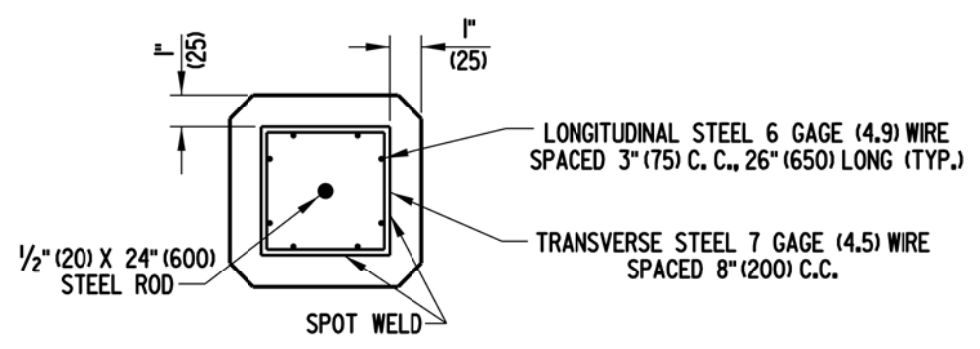
**TOP**



**ELEVATION**

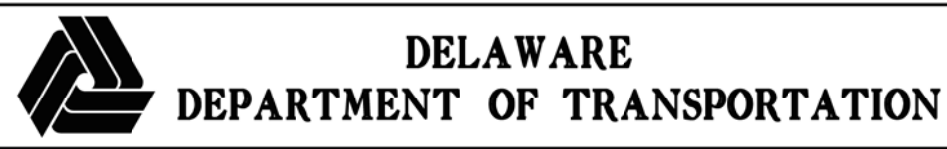


**TOP DETAIL**



**SECTION A-A**

NOTES : 1. LONGITUDINAL STEEL SHALL BE HELD IN PLACE BY CRADLES.  
 2. LETTERS TO BE COUNTERSUNK IN TOP OF MARKER 1/4" (6).



<b>CONCRETE MONUMENT</b>			
STANDARD NO.	M-2 (2008)	SHT. 1	OF 1

APPROVED	<i>[Signature]</i>	11/18/08
	CHIEF ENGINEER	DATE
RECOMMENDED	<i>[Signature]</i>	11/17/08
	DESIGN ENGINEER	DATE