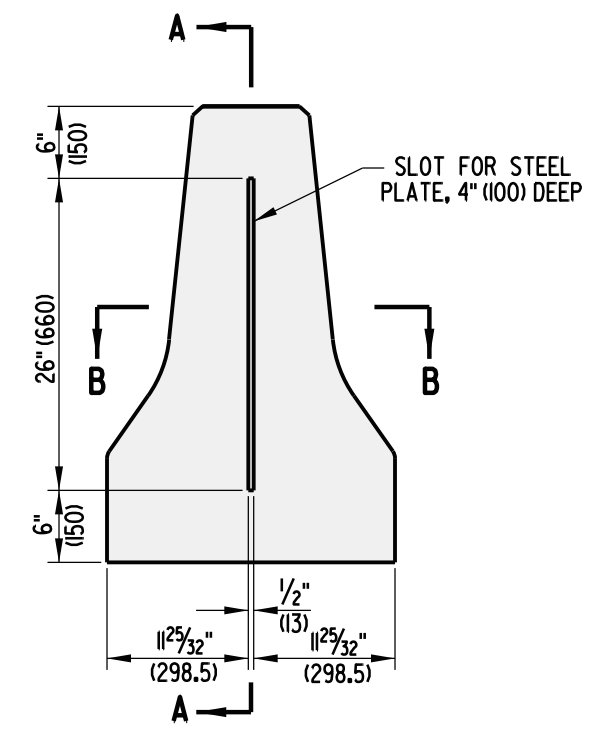
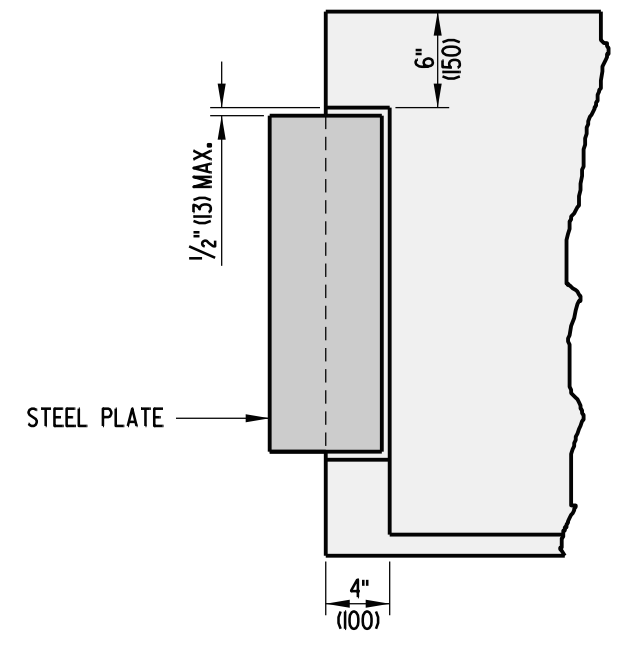


**STEEL CONNECTOR PLATE**

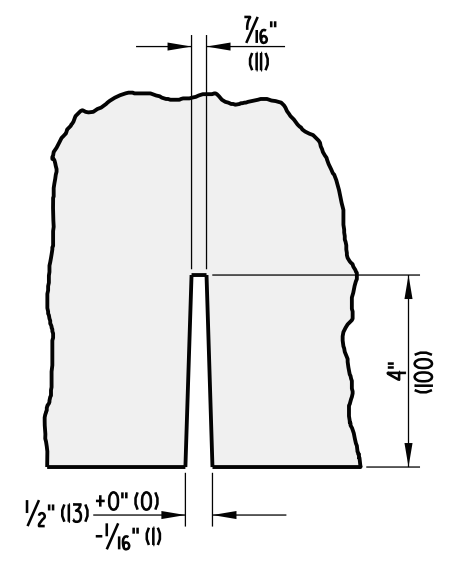


**SLOT DIMENSIONS**

CONCRETE SAFETY BARRIER, PRECAST CONSTRUCTION  
'F' SHAPE BARRIER SECTION



**SECTION A-A**



**SECTION B-B**