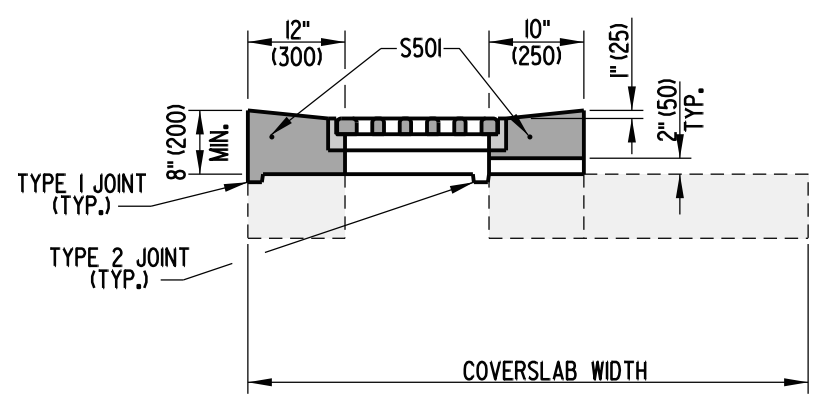
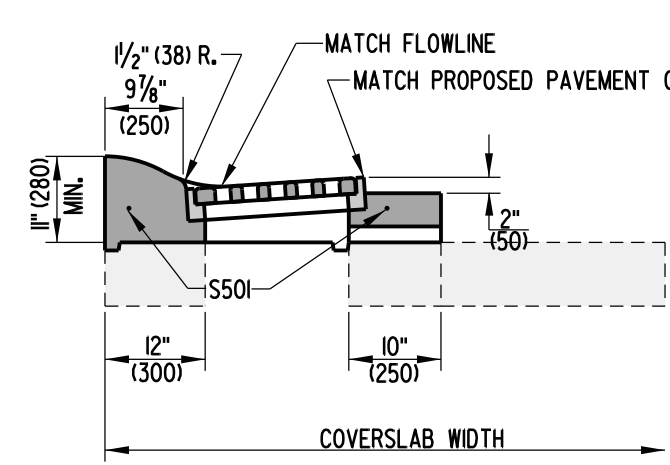


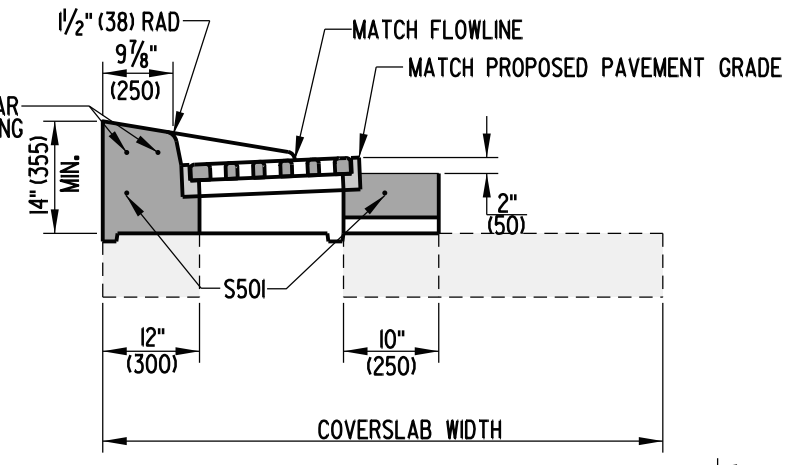
SCALE : N.T.S.



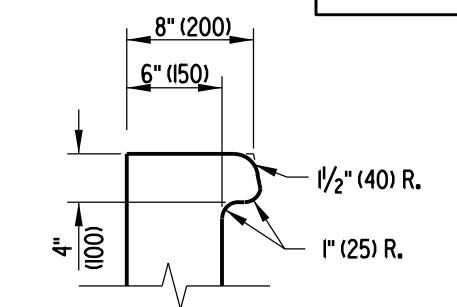
TYPE A



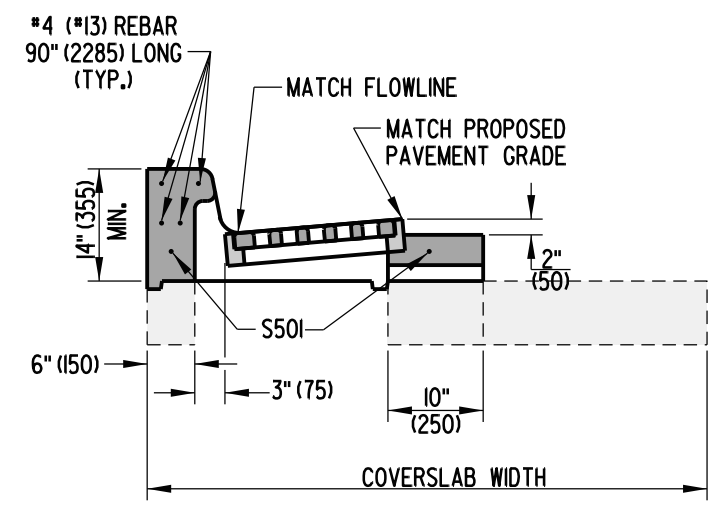
TYPE D



TYPE E

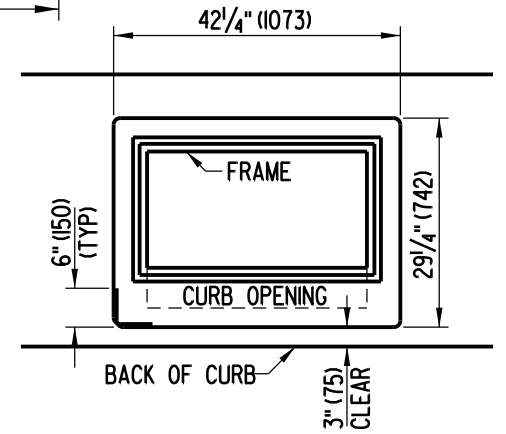


CURB OPENING DETAIL



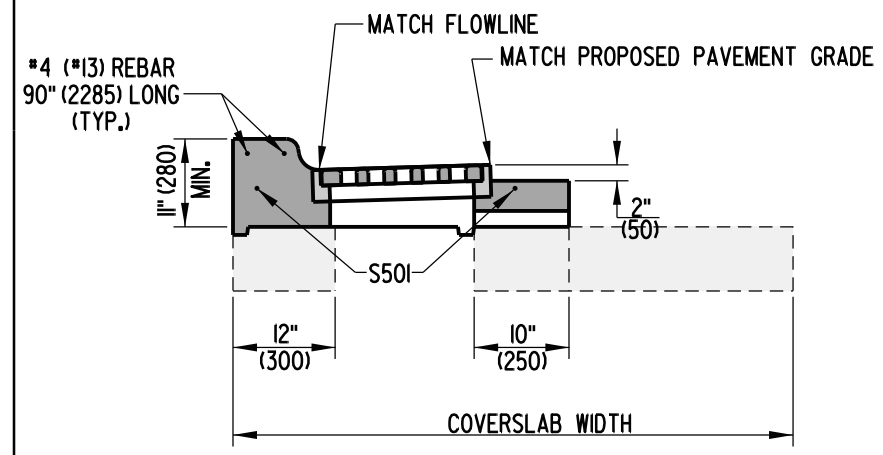
TYPE B

INLET TOP UNIT APPLICATIONS	
TOP UNIT	CURB
TYPE A	USE IN DRAINAGE SWALE
TYPE B	INTEGRAL PCC CURB & GUTTER, TYPE 1 & 3, PCC CURB TYPE 1
TYPE C	INTEGRAL PCC CURB & GUTTER, TYPE 4, PCC CURB TYPE 3
TYPE D	INTEGRAL PCC CURB & GUTTER, TYPE 2
TYPE E	PCC CURB TYPE 2

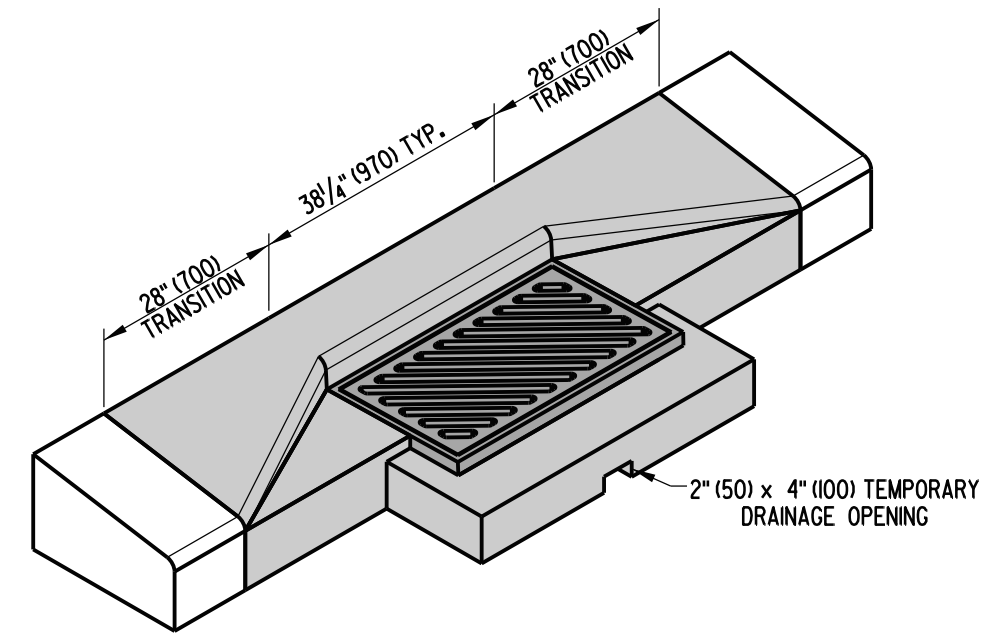


S501 BENDING DIAGRAM

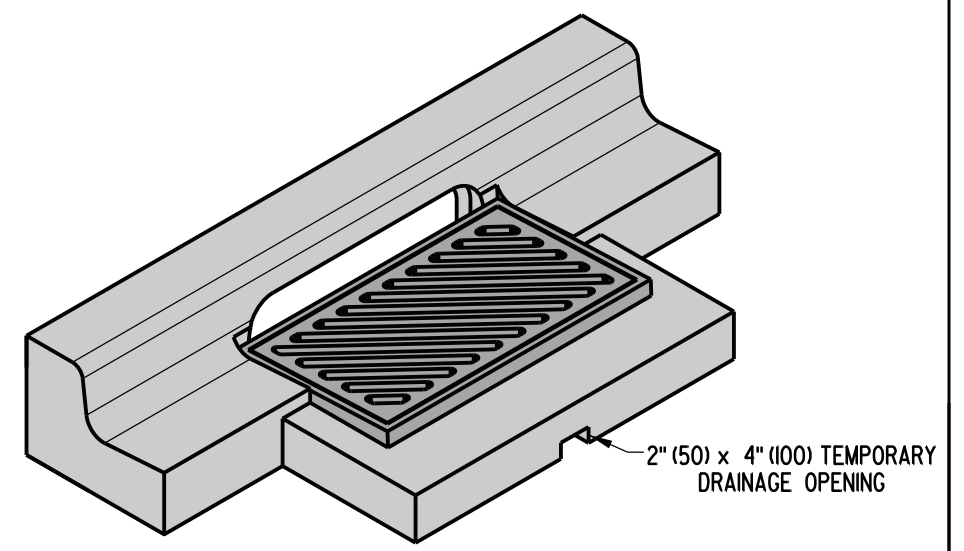
S501 IS NOT REQUIRED TO BE ONE CONTINUOUS BAR. IF MORE THAN ONE BAR IS USED, THERE MUST BE A 12" (300) OVERLAP BETWEEN BARS.



TYPE C



ISOMETRIC VIEW
TYPE E UNIT SHOWN



ISOMETRIC VIEW
TYPE B TOP UNIT SHOWN WITH
INTEGRAL CURB & GUTTER TYPE 3



DRAINAGE INLET TOP UNITS			
STANDARD NO.	D-5 (2009)	SHT.	3 OF 8

APPROVED	SIGNATURE ON FILE	01/19/2010
	CHIEF ENGINEER	DATE
RECOMMENDED	SIGNATURE ON FILE	01/14/2010
	DESIGN ENGINEER	DATE