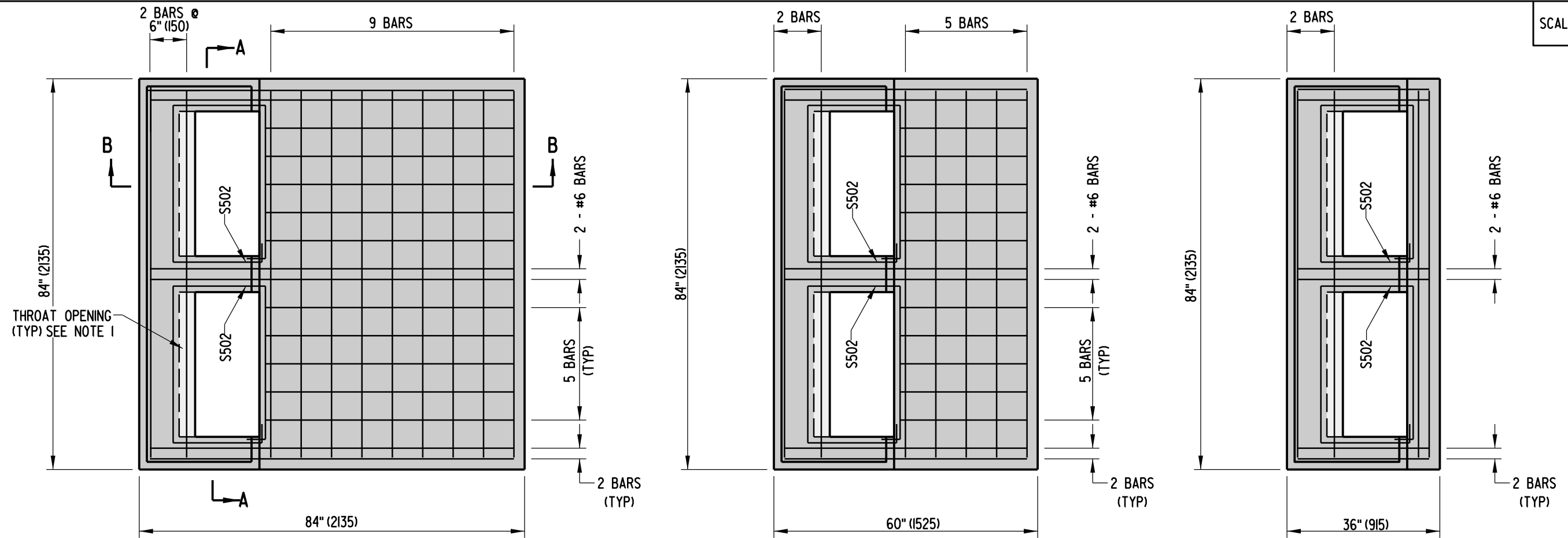


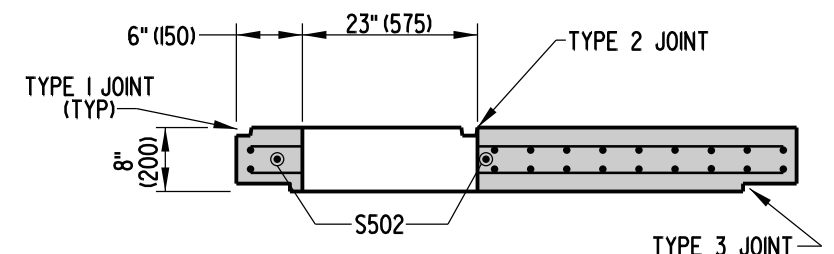
SCALE : N.T.S.



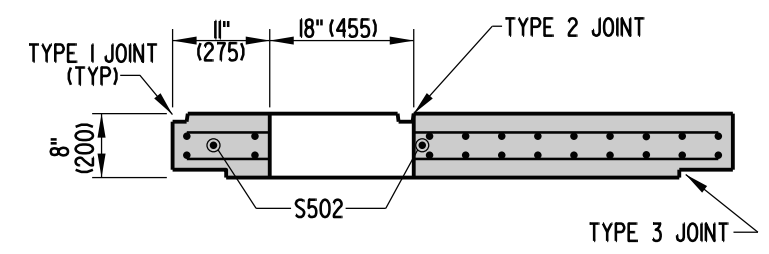
**72" (1830) x 72" (1830) INLET**

**72" (1830) x 48" (1220) INLET**

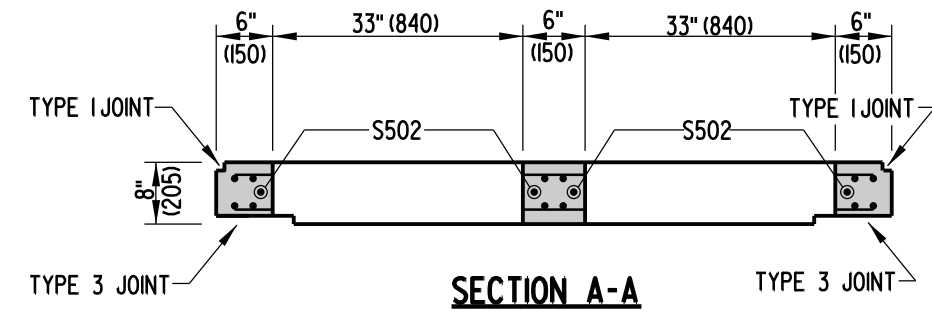
**72" (1830) x 24" (610) INLET**



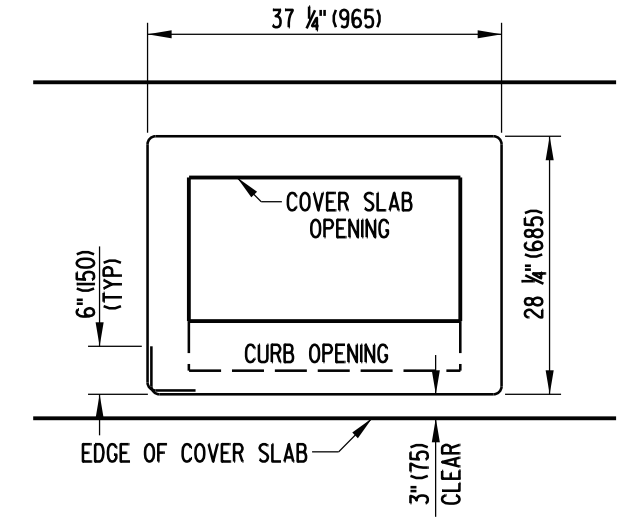
**SECTION B-B**  
FOR TYPE B TOP UNITS



**SECTION B-B**  
FOR TYPES A, C, D, & E TOP UNITS



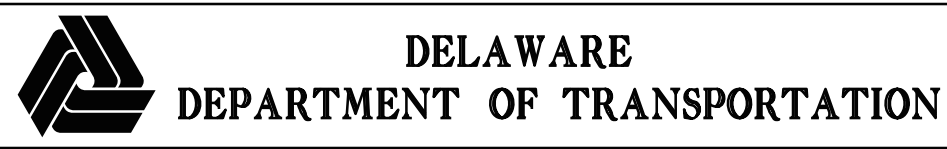
**SECTION A-A**



**S502 BENDING DIAGRAM**

S502 IS NOT REQUIRED TO BE ONE CONTINUOUS BAR. IF MORE THAN ONE BAR IS USED, THERE MUST BE A 12" (300) OVERLAP BETWEEN BARS.

- NOTES :**
- 1). RELOCATE ENCROACHING REINFORCING BARS WHEN USING TYPE B TOP UNIT.
  - 2). COVER SLABS ARE TO BE PRECAST AND MUST BE SIZED TO FIT INLET BOX DIMENSIONS.
  - 3). ALL BARS ARE TO BE #5 (#16) SPACED @ 6" (150) UNLESS NOTED OTHERWISE. TOP REINFORCEMENT SHALL BE 0.11 IN<sup>2</sup> (70 mm<sup>2</sup>) MIN. HORIZONTAL REINFORCEMENT PER FOOT IN BOTH DIRECTIONS.
  - 4). MINIMUM BAR COVER = 1 1/2" (38).



<b>DOUBLE INLET COVER SLAB DETAILS</b>			
STANDARD NO.	D-5 (2009)	SHT. 5	OF 8

<b>APPROVED</b>	SIGNATURE ON FILE	01/19/2010
	CHIEF ENGINEER	DATE
<b>RECOMMENDED</b>	SIGNATURE ON FILE	01/14/2010
	DESIGN ENGINEER	DATE