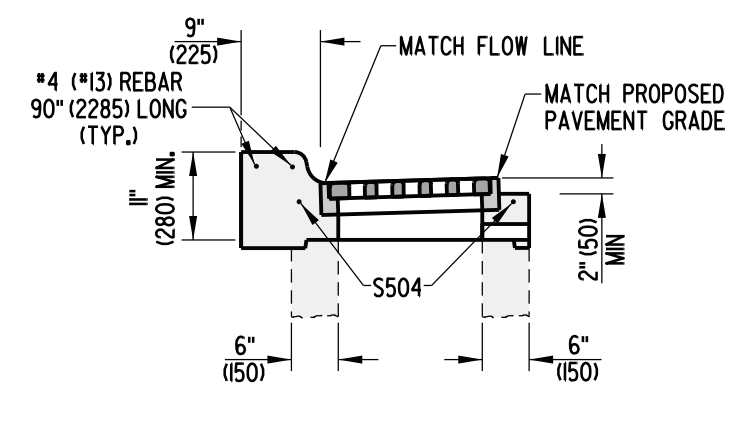
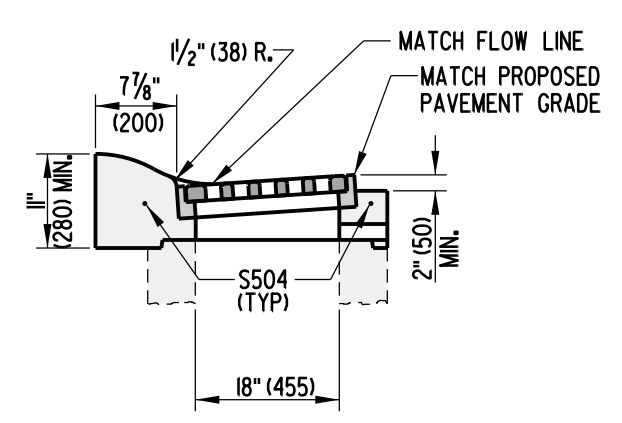


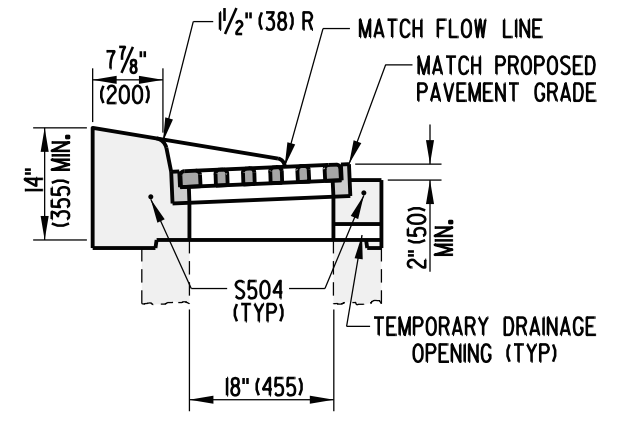
TYPE A



TYPE C

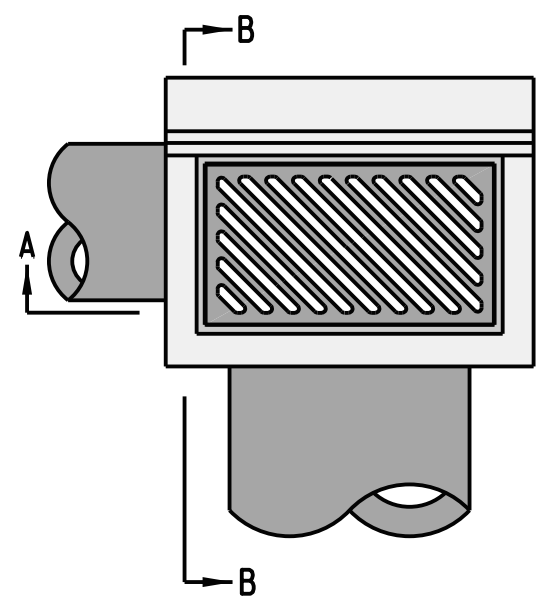


TYPE D

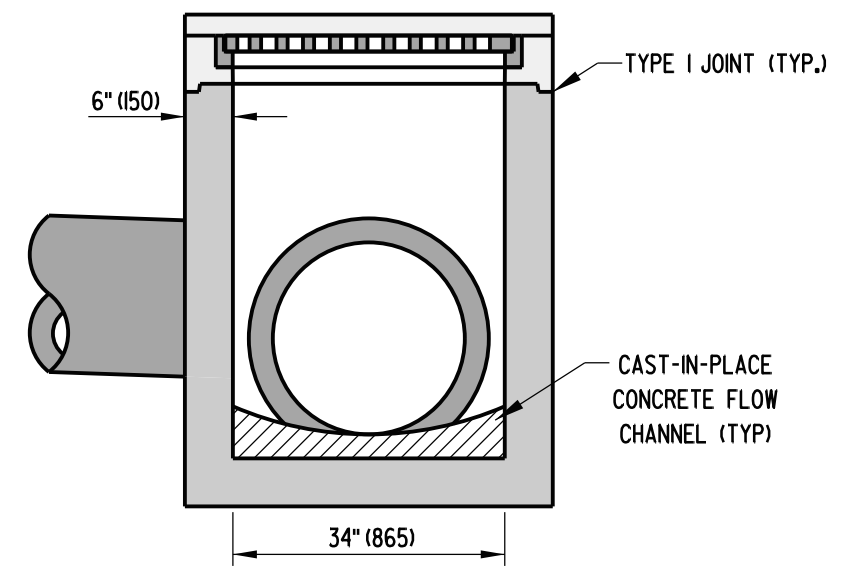


TYPE E

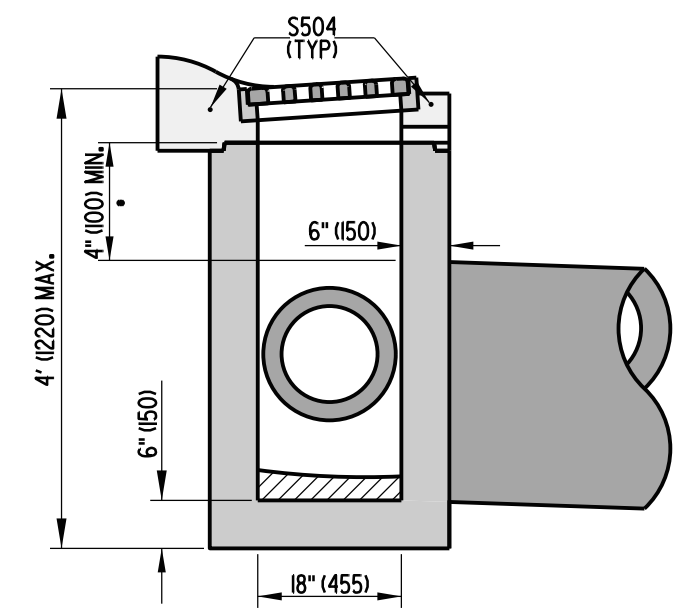
TOP UNIT DETAILS



TOP VIEW

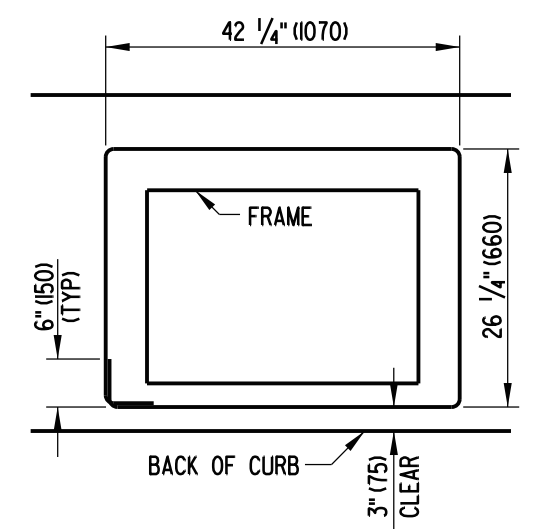


SECTION A-A



SECTION B-B

• - SEE OPTIONAL PIPE OPENING DETAIL ON STANDARD D-4, SHEET 1 OF 1.



S504 BENDING DIAGRAM

S504 IS NOT REQUIRED TO BE ONE CONTINUOUS BAR. IF MORE THAN ONE BAR IS USED, THERE MUST BE A 12" (300) OVERLAP BETWEEN BARS.

- NOTES:
- 1.) REFER TO PREVIOUS SHEETS FOR REINFORCEMENT REQUIREMENTS
 - 2.) THE HEIGHT OF THIS INLET IS LIMITED TO 4' (1220) MAXIMUM, THEREFORE STEPS WILL NOT BE REQUIRED AND SHOULD NOT BE INSTALLED ON THIS INLET.
 - 3.) REFER TO DETAIL D-5, SHEET 3 OF 8 FOR INLET TOP UNIT APPLICATION.