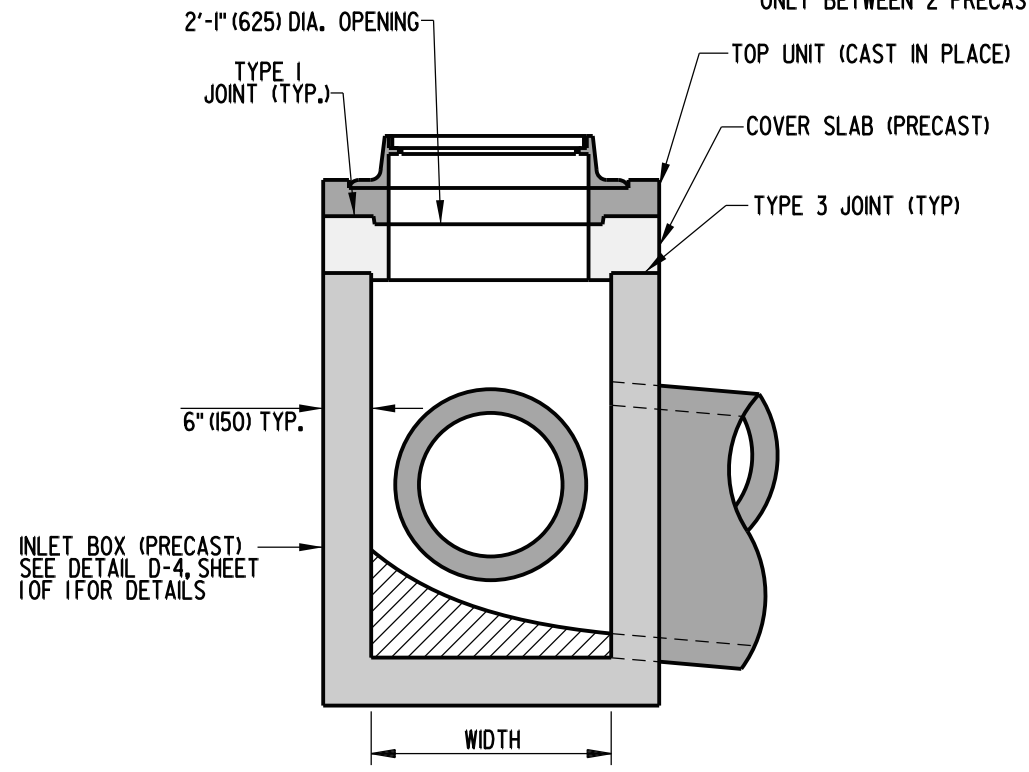
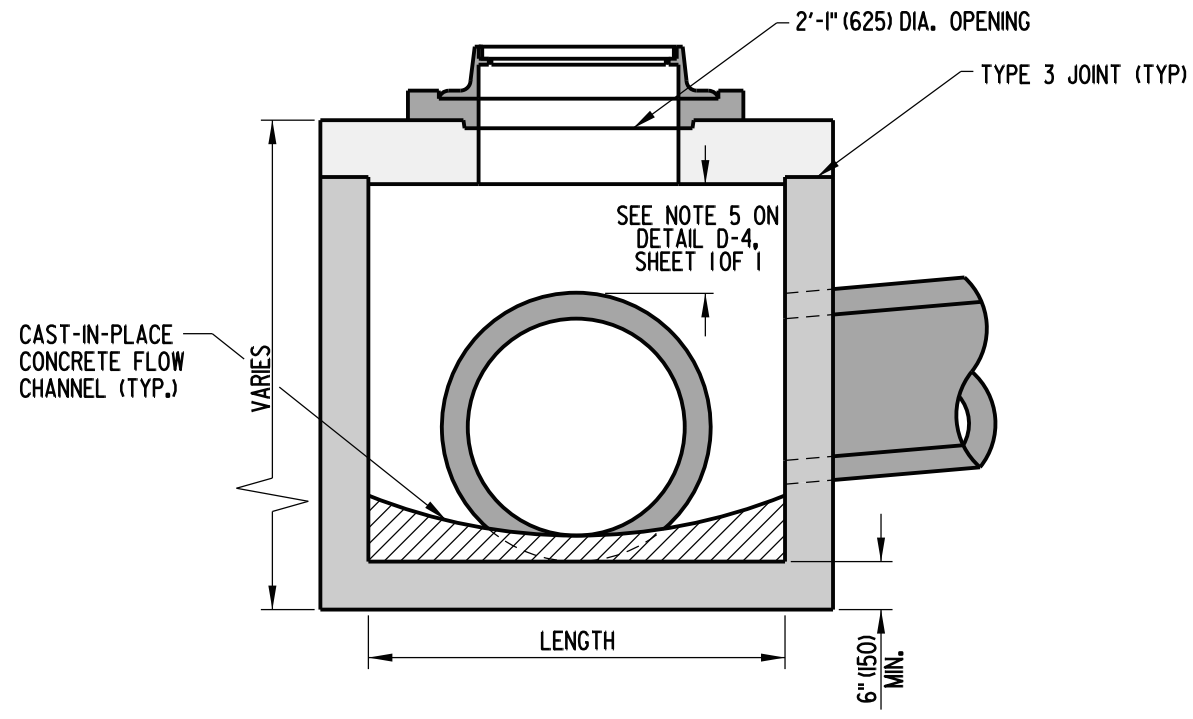


* DIMENSIONS MAY VARY
 ** JOINT SEALANT AS PER SPECIFICATIONS ONLY BETWEEN 2 PRECAST UNITS



• - SEE OPTIONAL PIPE OPENING DETAIL ON STANDARD D-4, SHEET 1 OF 1.

BOX MANHOLE ASSEMBLY

<p>DELAWARE DEPARTMENT OF TRANSPORTATION</p>	MANHOLE DETAILS			APPROVED	SIGNATURE ON FILE CHIEF ENGINEER	01/19/2010 DATE
	STANDARD NO. D-6 (2009)	SHT. 1	OF 4	RECOMMENDED	SIGNATURE ON FILE DESIGN ENGINEER	01/14/2010 DATE