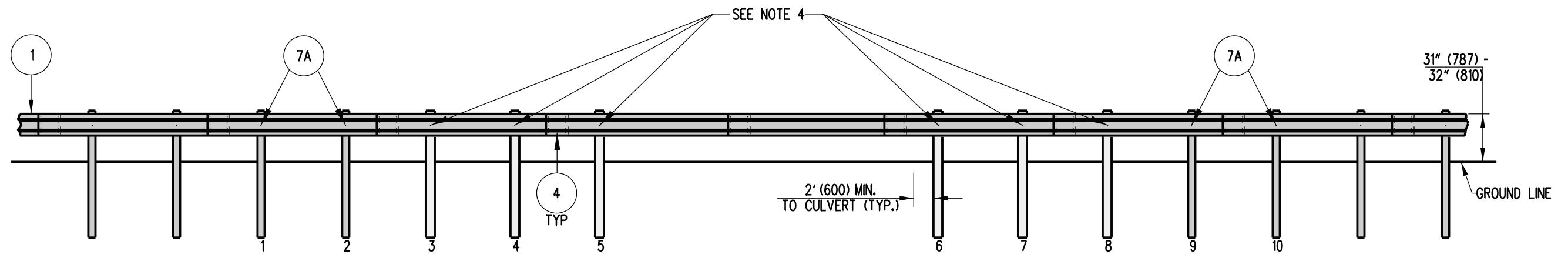
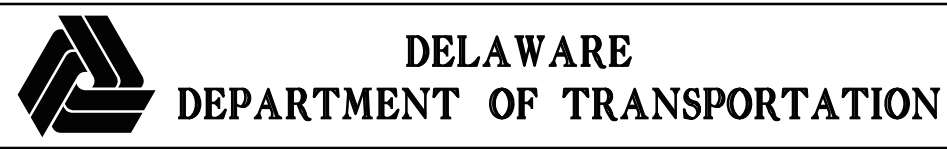


PLAN



ELEVATION

- NOTES:**
1. ALL W-BEAMS ARE 13'-6 1/2" (4130) IN LENGTH.
 2. PLACE GUARDRAIL DELINEATORS AT THE INTERVALS SPECIFIED IN THE DELAWARE MANUAL ON UNIFORM TRAFFIC CONTROL DEVICES.
 3. POSTS 1, 2, 9, & 10 ARE TO BE W6x9 (W15x13.5) STEEL POSTS. POSTS 3 THROUGH 8 ARE TO BE TYPE 31 LONG WOOD BREAKAWAY POSTS.
 4. THE RAIL SHALL BE ATTACHED AT POSTS 3 THROUGH 8 WITH A 5/8" (16) x 22" (560) GUARDRAIL BOLT, STEEL WASHER, AND RECESS NUT.



GUARDRAIL OVER CULVERTS, TYPE 3-31			
STANDARD NO.	B-3 (2010)	SHT. 3	OF 3

APPROVED	SIGNATURE ON FILE	12/28/2010
	<small>CHIEF ENGINEER</small>	<small>DATE</small>
RECOMMENDED	SIGNATURE ON FILE	12/27/2010
	<small>DESIGN ENGINEER</small>	<small>DATE</small>