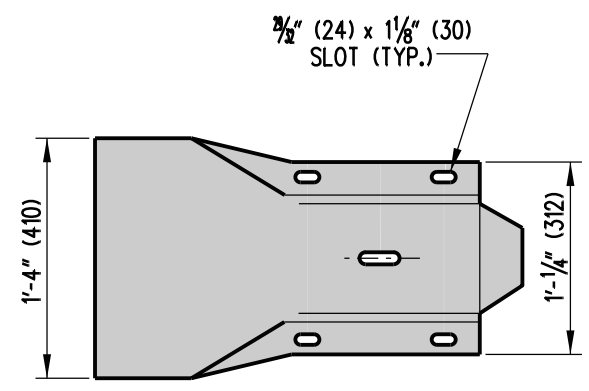
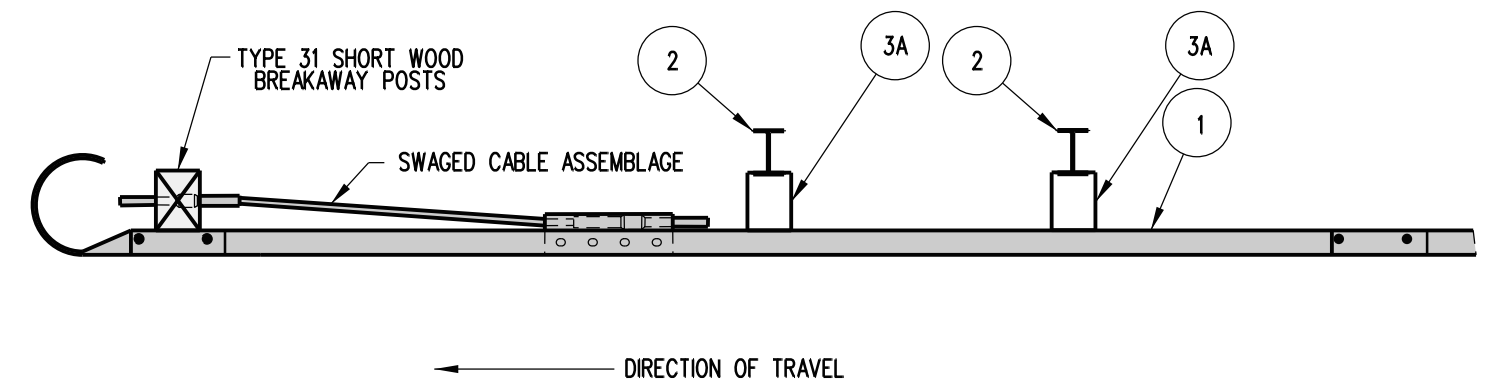


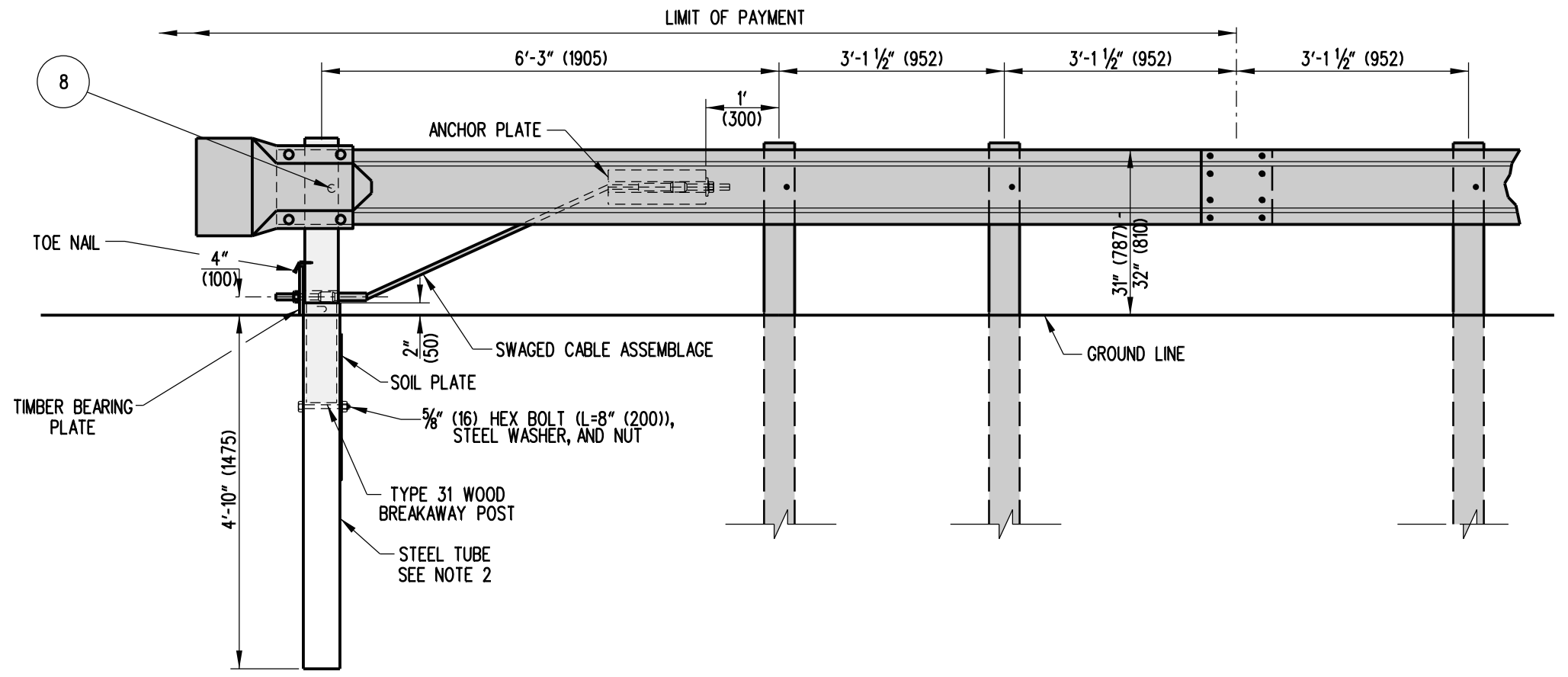
END SECTION PLAN



END SECTION ELEVATION




PLAN



ELEVATION

- NOTES:**
- 1). ADDITIONAL HOLES FOR ANCHOR PLATE SHALL BE DRILLED PRIOR TO GALVANIZING. (SEE STANDARD HARDWARE SHEET FOR HOLE SPACING INFORMATION).
 - 2). CONTRACTOR HAS THE OPTION OF USING A 6' (1830) STEEL TUBE WITHOUT A SOIL PLATE OR A 5' (1525) STEEL TUBE WITH A SOIL PLATE.

 DELAWARE DEPARTMENT OF TRANSPORTATION	END ANCHORAGE, TYPE 31			APPROVED	SIGNATURE ON FILE CHIEF ENGINEER	12/28/2010 DATE
	STANDARD NO. B-4 (2010)	SHT. 1	OF 1	RECOMMENDED	SIGNATURE ON FILE DESIGN ENGINEER	12/27/2010 DATE