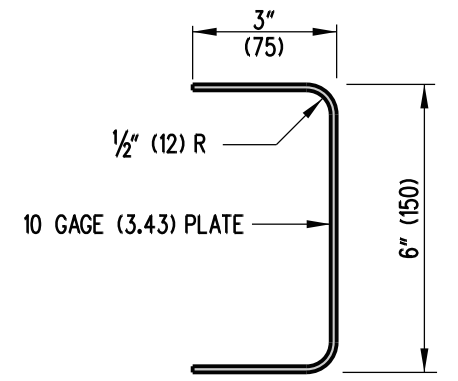
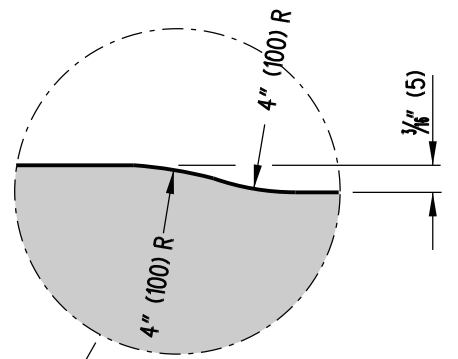
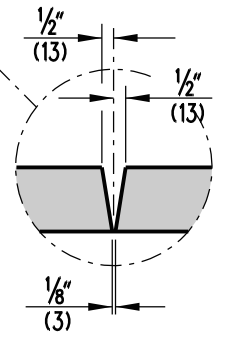
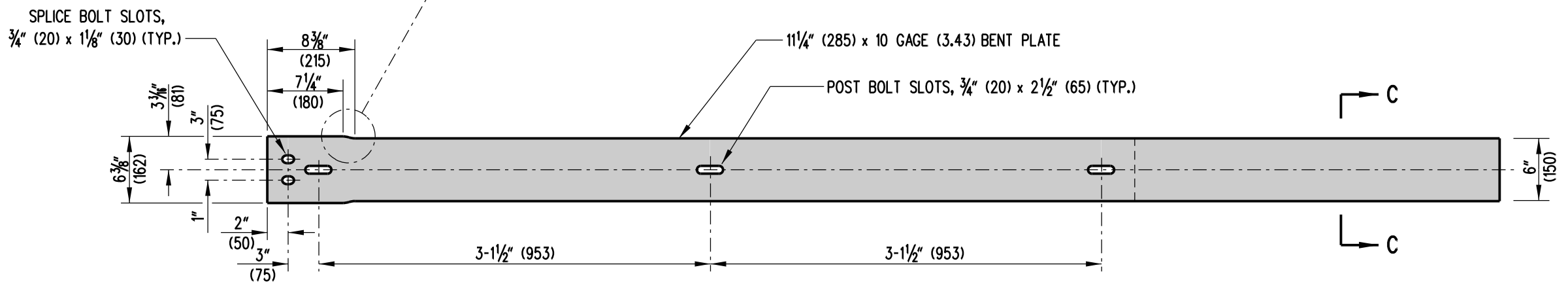


PLAN
SCALE: 1"=1'-0"



SECTION C-C
SCALE: 3" = 1'-0"



ELEVATION
SCALE: 1"=1'-0"

NOTE:
ALL HARDWARE ON THIS DETAIL IS COMPATIBLE WITH GUARDRAIL TO BARRIER CONNECTION, TYPES 1-31 AND 1-27.

<p>DELAWARE DEPARTMENT OF TRANSPORTATION</p>	<p>GUARDRAIL TO BARRIER CONNECTION, BENT PLATE RUB RAIL</p>			<p>APPROVED</p> <p>SIGNATURE ON FILE _____ 12/28/2010 CHIEF ENGINEER DATE</p>
	<p>STANDARD NO. B-5 (2010)</p>	<p>SHT. 3 OF 6</p>	<p>RECOMMENDED</p> <p>SIGNATURE ON FILE _____ 12/27/2010 DESIGN ENGINEER DATE</p>	