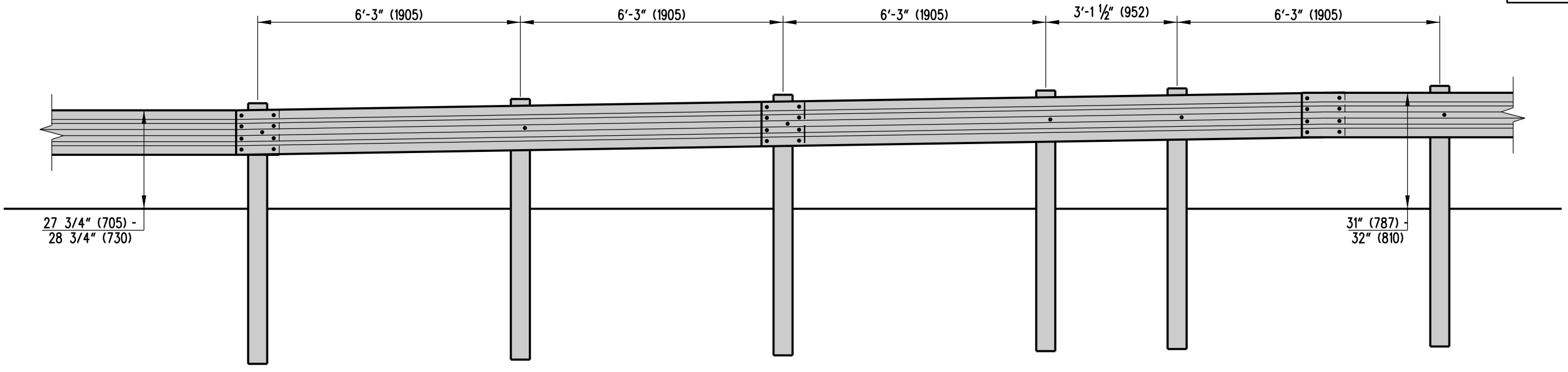
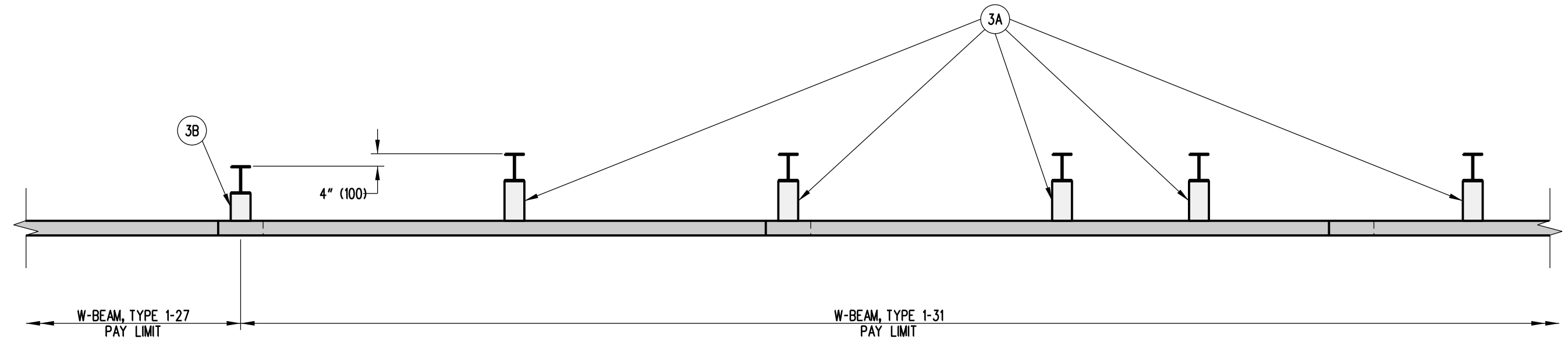



SCALE : N.T.S.



ELEVATION



PLAN

 DELAWARE DEPARTMENT OF TRANSPORTATION	W-BEAM, TYPE 1-27 TO TYPE 1-31 TRANSITION SECTION		APPROVED	SIGNATURE ON FILE	12/28/2010
	STANDARD NO. B-7 (2010)	SHT. 1 OF 1	CHIEF ENGINEER	DATE	DATE
			RECOMMENDED	SIGNATURE ON FILE	12/27/2010
			DESIGN ENGINEER	DATE	DATE