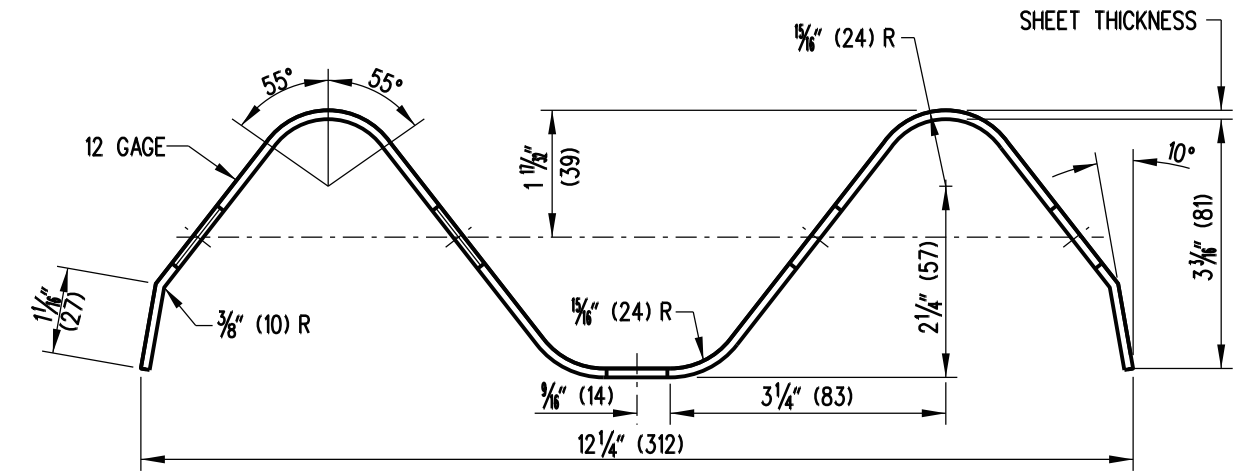


**W-BEAM ELEVATION**



**W-BEAM SECTION**

**NOTE:**  
 1). FOUR ADDITIONAL 3/4" (20) x 2 1/2" (65) SLOTS SHALL BE PROVIDED AT 3'-1 1/2" (952) SPACING FOR A 26'-1/2" (7940) BEAM LENGTH.

**DELAWARE**  
**DEPARTMENT OF TRANSPORTATION**

<b>HARDWARE</b>			
<b>STANDARD NO.</b>	<b>B-13 (2010)</b>	<b>SHT.</b>	<b>1 OF 10</b>

<b>APPROVED</b>	SIGNATURE ON FILE	12/28/2010
	CHIEF ENGINEER	DATE
<b>RECOMMENDED</b>	SIGNATURE ON FILE	12/27/2010
	DESIGN ENGINEER	DATE