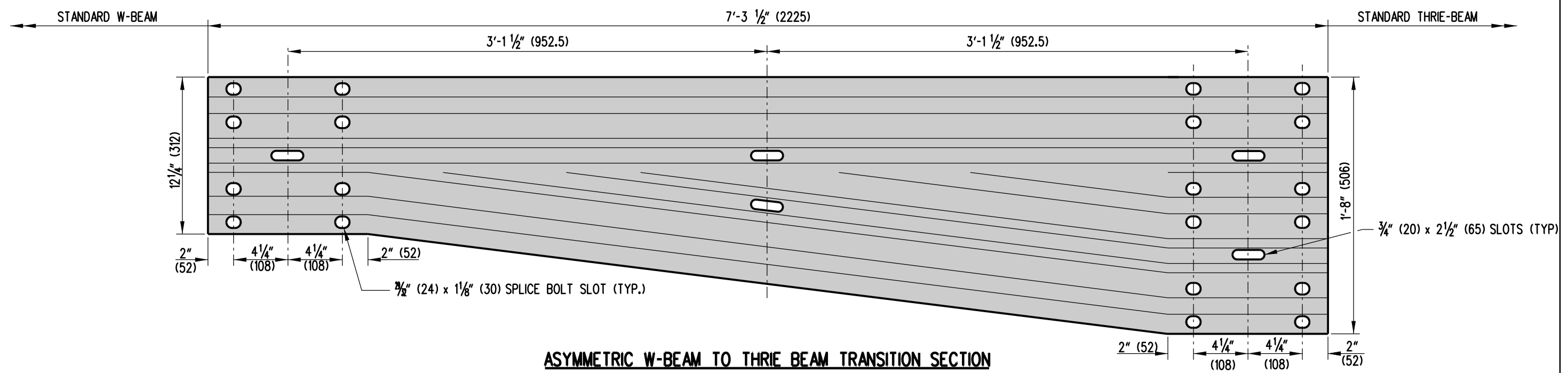
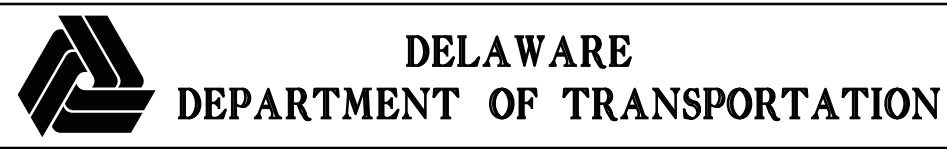


SYMMETRIC W-BEAM TO THRIE BEAM TRANSITION SECTION



ASYMMETRIC W-BEAM TO THRIE BEAM TRANSITION SECTION



HARDWARE	
STANDARD NO.	B-13 (2010)
SHT.	6 OF 10

APPROVED	SIGNATURE ON FILE	12/28/2010
	CHIEF ENGINEER	DATE
RECOMMENDED	SIGNATURE ON FILE	12/27/2010
	DESIGN ENGINEER	DATE