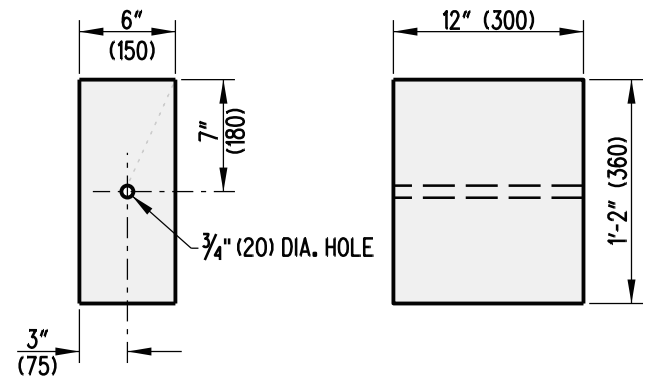
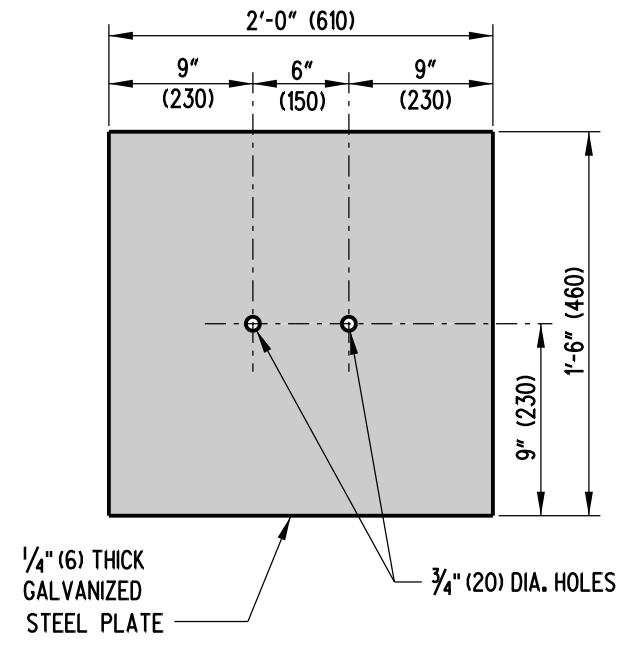


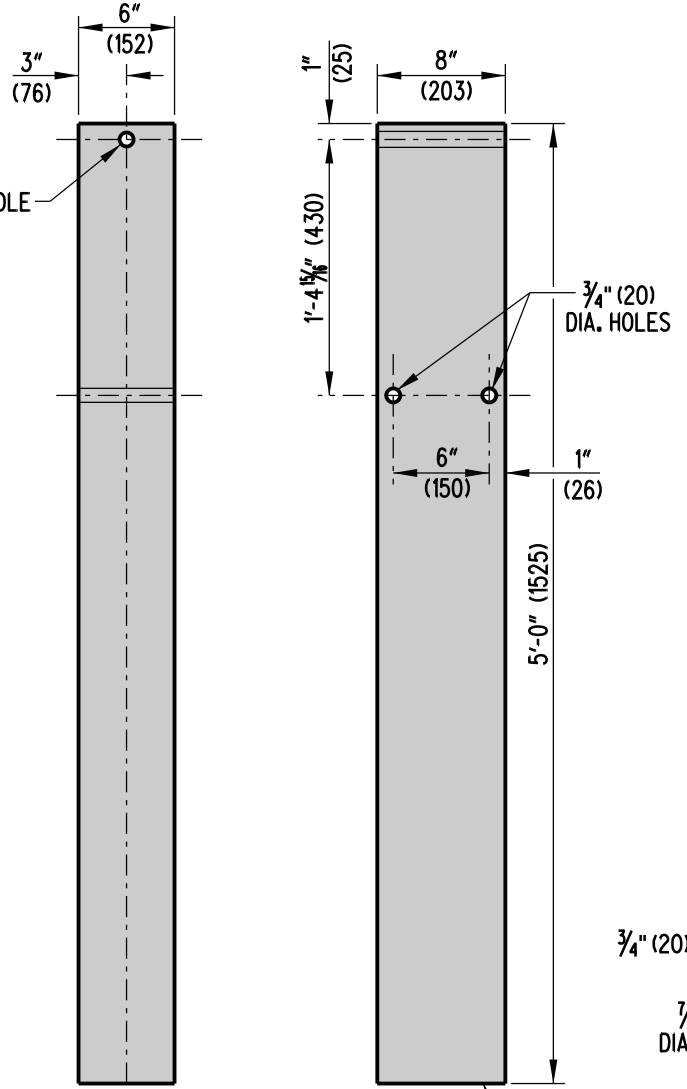
OFFSET BLOCK, TYPE 27



OFFSET BLOCK, TYPE 31



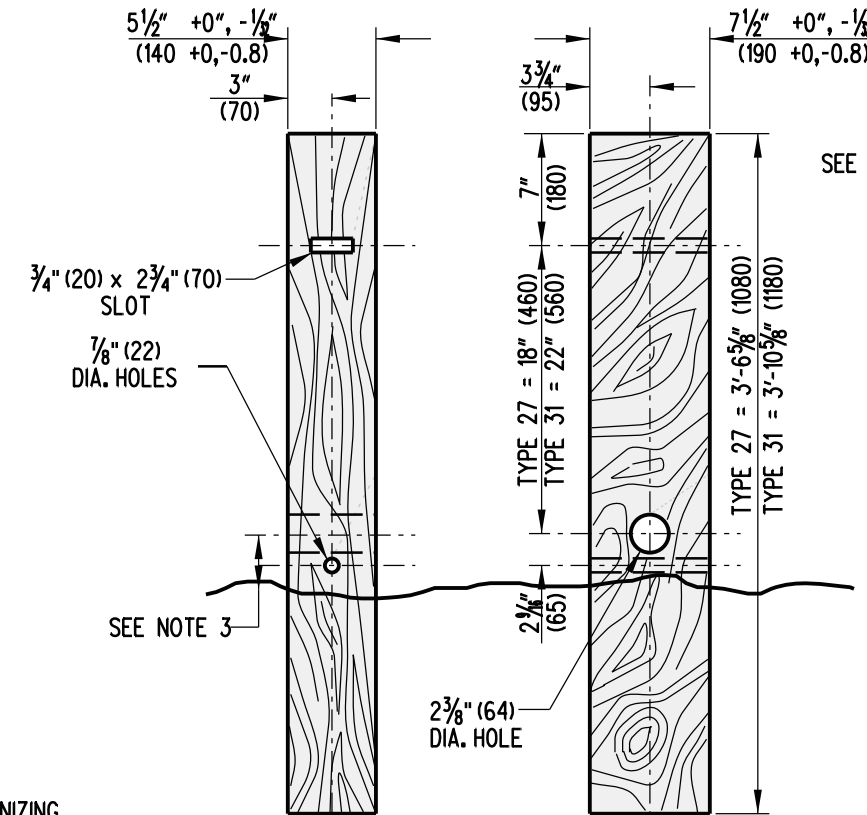
SOIL PLATE



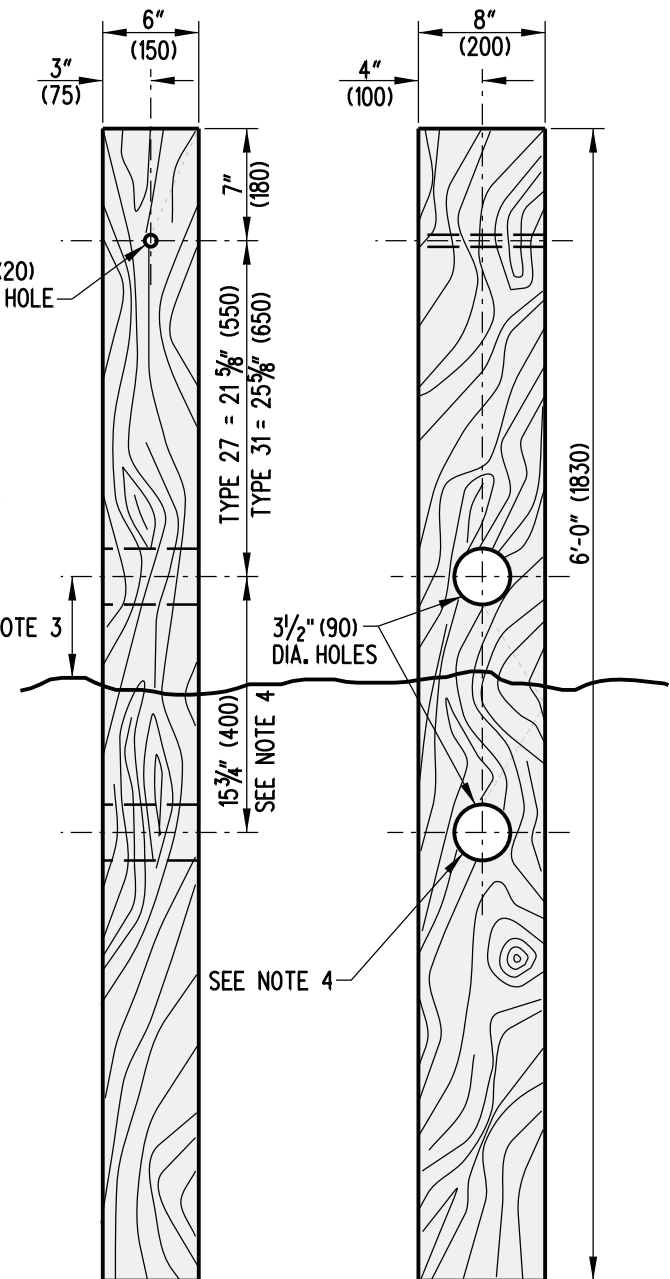
TS-8" X 6" X 3/16"
(TS-203 x 152 x 4.8)
GALVANIZED STEEL TUBING

STEEL TUBE

- NOTES :**
- 1). ALL HOLES SHALL BE DRILLED PRIOR TO GALVANIZING.
 - 2). ALL WOOD SIZES ARE NOMINAL DIMENSIONS.
 - 3). POSTS SHOULD BE PLACED SO THAT BREAKAWAY HOLES ARE NO LOWER THAN GROUND LEVEL AND NO HIGHER THAN 4" (100) ABOVE GROUND LEVEL.
 - 4). LOWER BREAKAWAY HOLE ONLY NEEDED ON BURIED END SECTION, TYPE 2.



SHORT WOOD BREAKAWAY POST



LONG WOOD BREAKAWAY POST