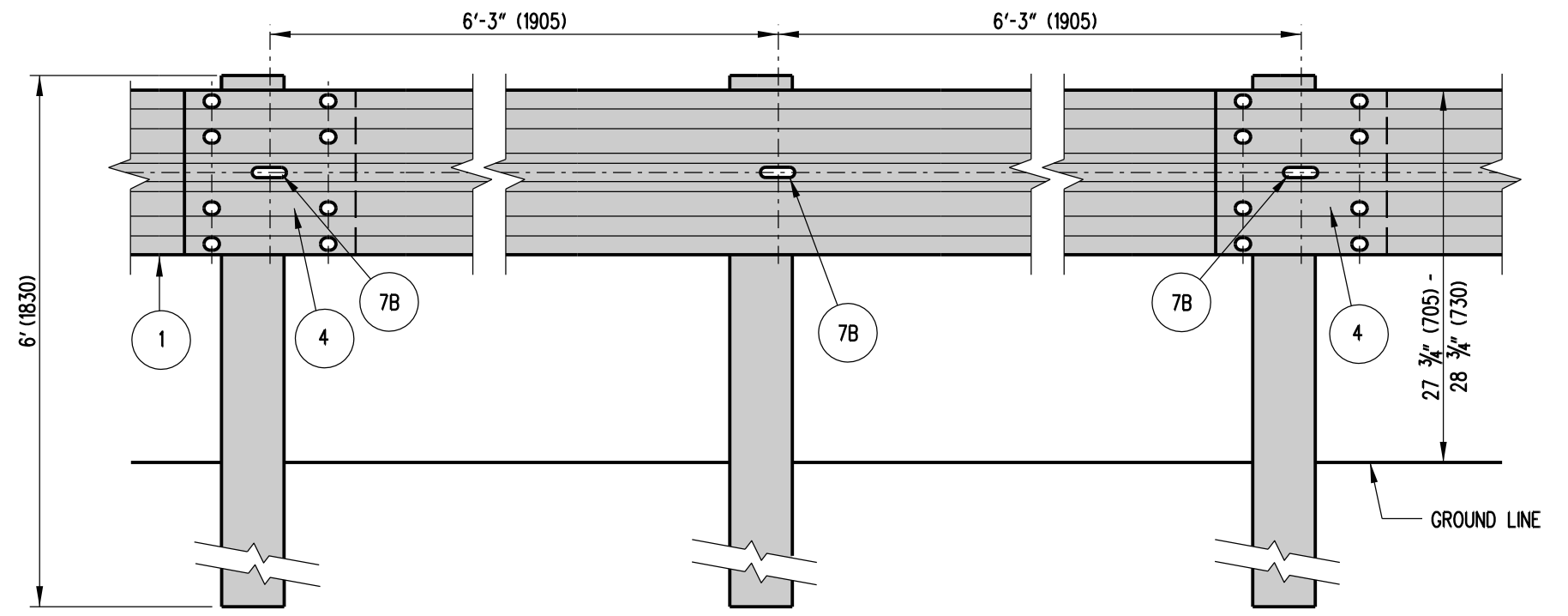
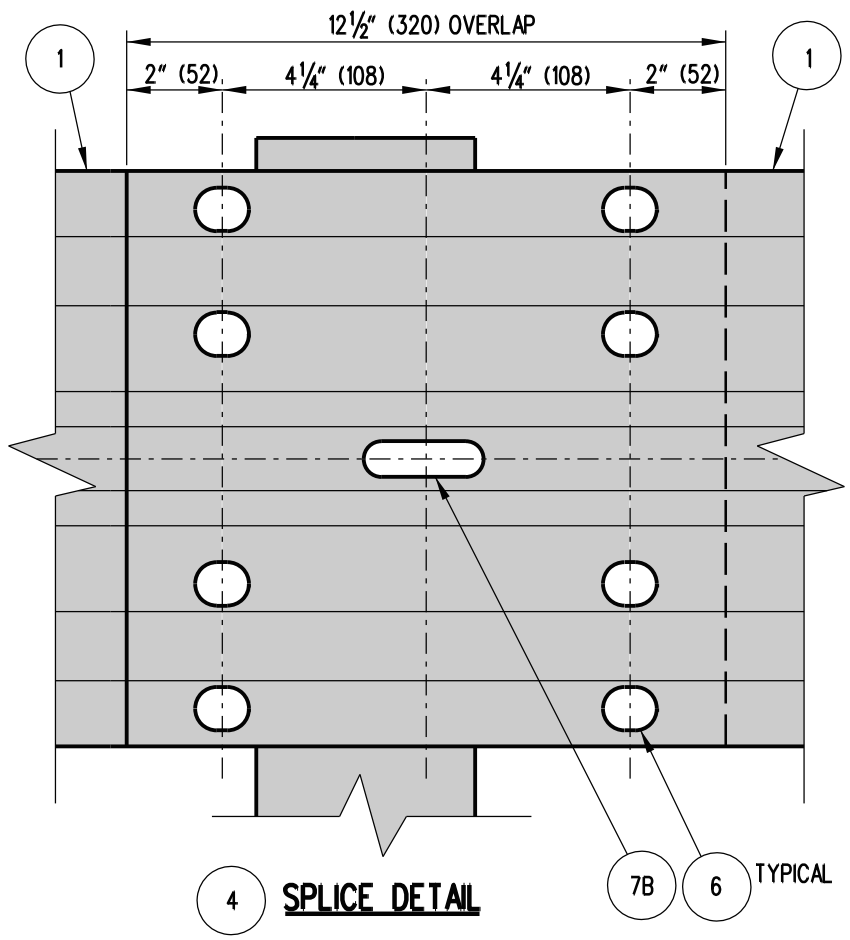


TYPE 2-27



TYPE 1-27 OR 3-27

NOTE : OVERLAP W-BEAMS IN DIRECTION OF TRAVEL.