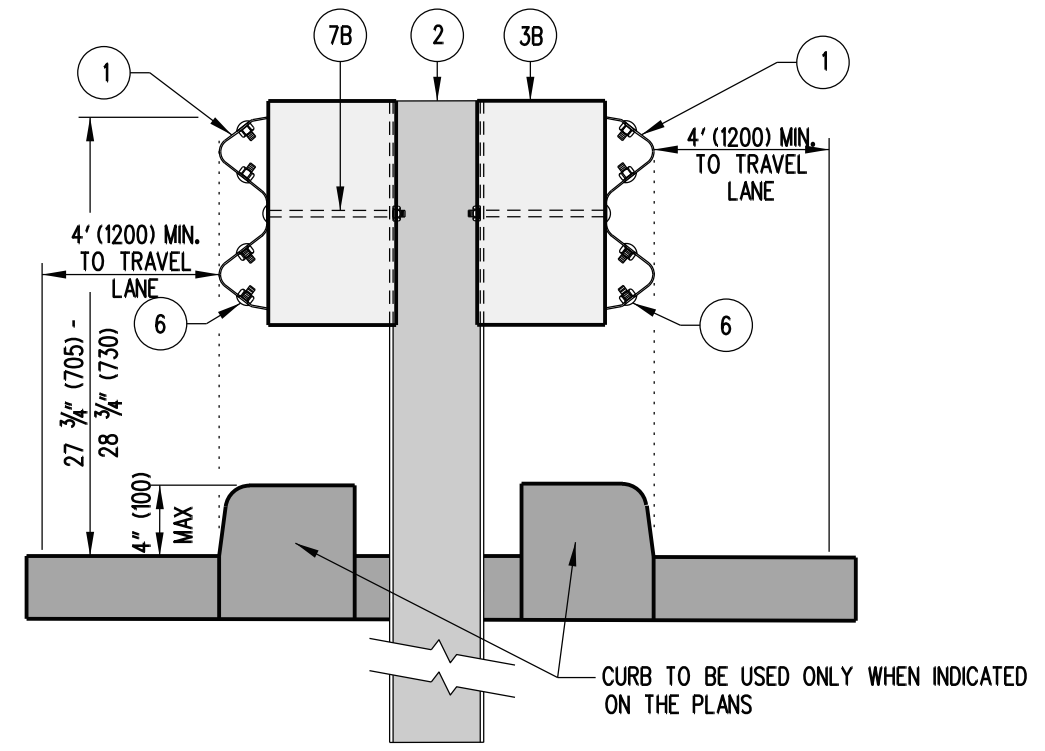
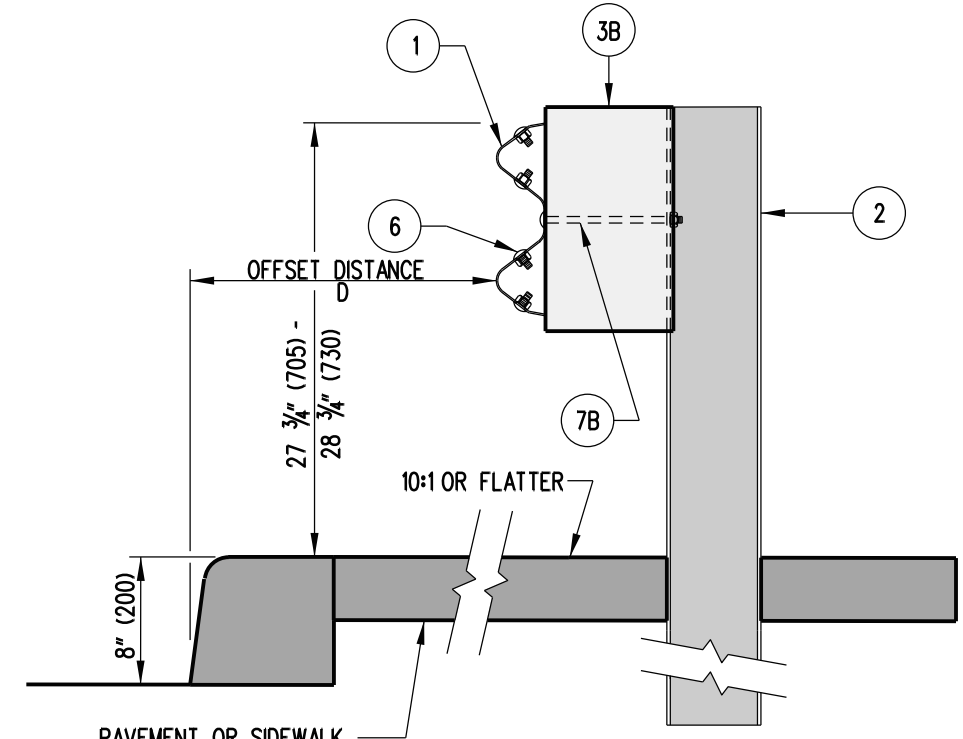


**GUARDRAIL SECTION**  
RURAL SHOULDER APPLICATION



**GUARDRAIL SECTION**  
MEDIAN APPLICATION



**GUARDRAIL SECTION**  
URBAN SHOULDER APPLICATION

TYPE	POST SPACING	CLEAR AREA BEHIND POST
1	6'-3" (1905)	4'-0" (1.2m) MIN
2	3'-1-1/2" (952.5)	2'-0" (600) MIN

DESIGN SPEED	D
< 50 MPH (80 km/h)	6'-0" (1800)
> 50 MPH (80 km/h)	10'-0" (3000)