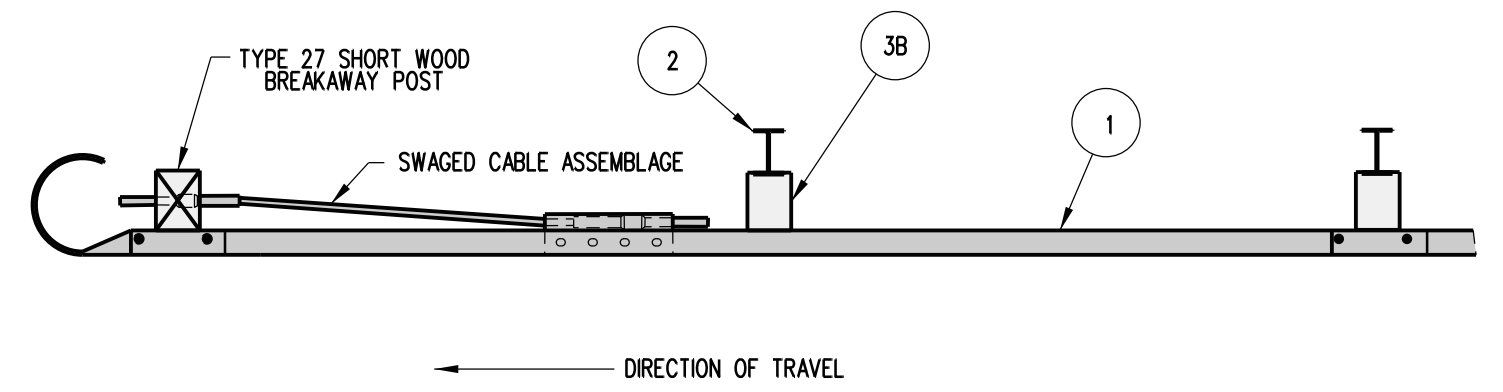
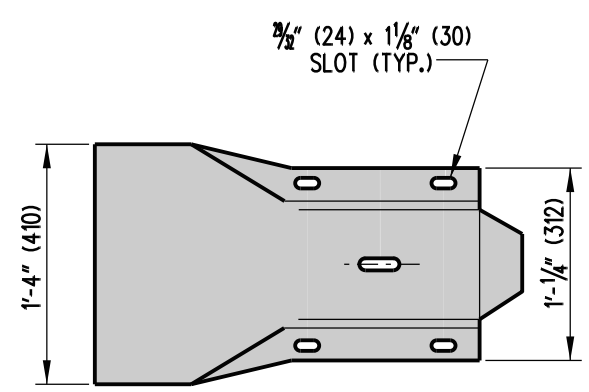


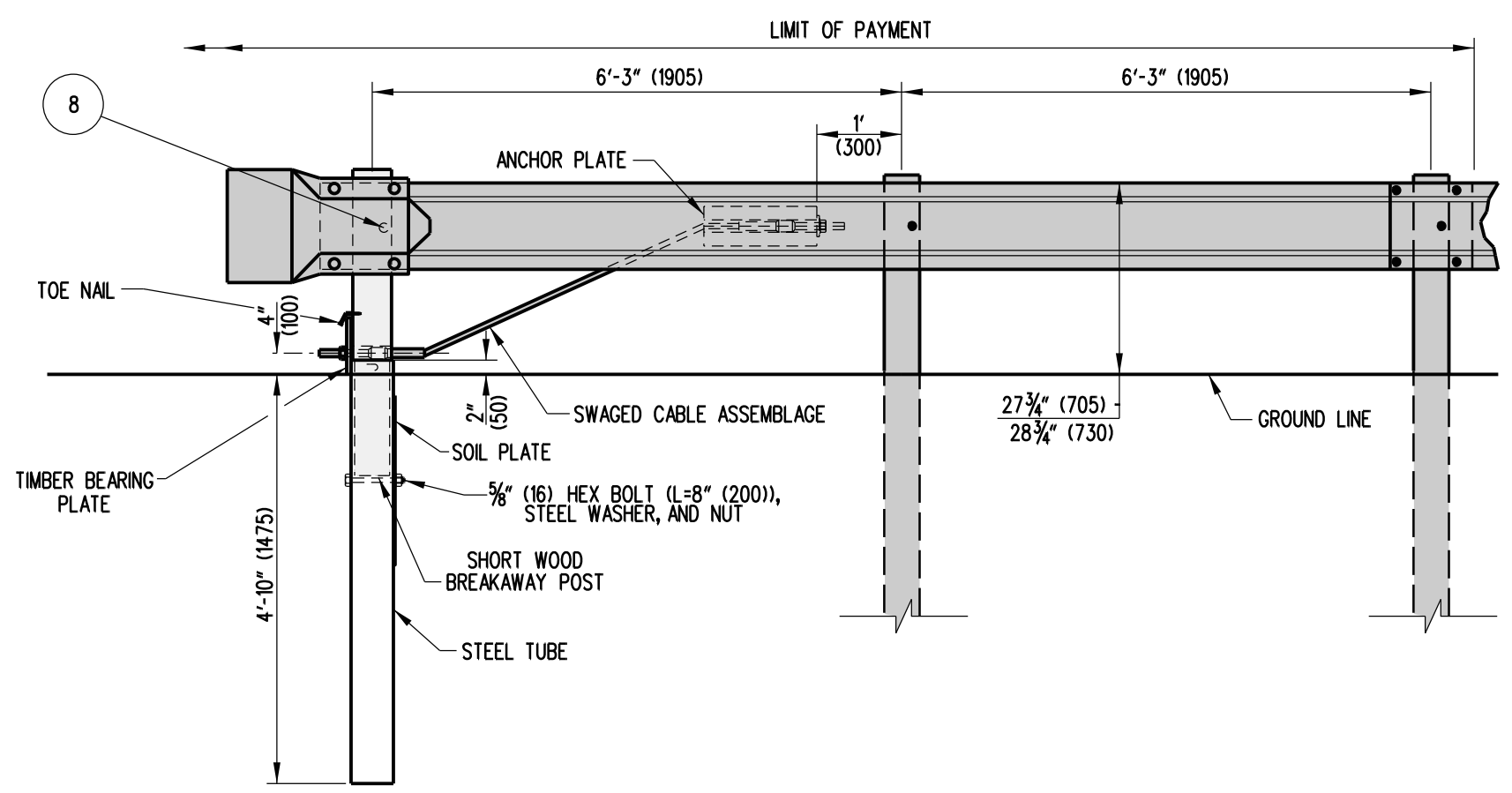
END SECTION PLAN



PLAN



END SECTION ELEVATION



ELEVATION

- NOTES:**
1. ADDITIONAL HOLES FOR ANCHOR PLATE SHALL BE DRILLED PRIOR TO GALVANIZING. (SEE STANDARD HARDWARE SHEET FOR HOLE SPACING INFORMATION).
 2. CONTRACTOR HAS THE OPTION OF USING A 6' (1830) STEEL TUBE WITHOUT A SOIL PLATE OR A 5' (1525) STEEL TUBE WITH A SOIL PLATE.



END ANCHORAGE, TYPE 27			
STANDARD NO.	B-19 (2010)	SHT.	1 OF 1

APPROVED	SIGNATURE ON FILE	12/28/2010
	CHIEF ENGINEER	DATE
RECOMMENDED	SIGNATURE ON FILE	12/27/2010
	DESIGN ENGINEER	DATE