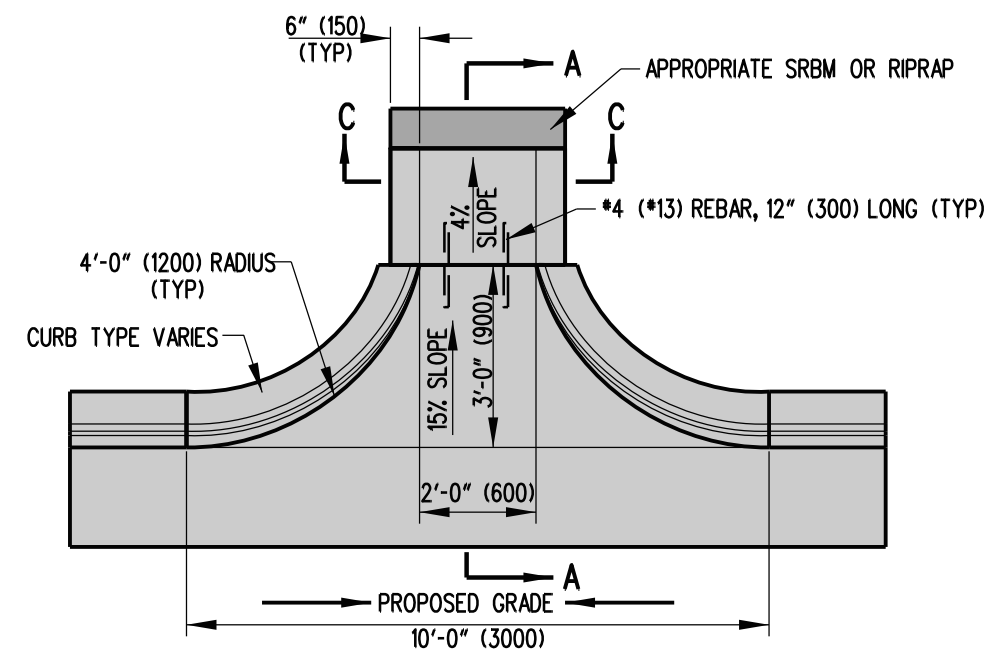
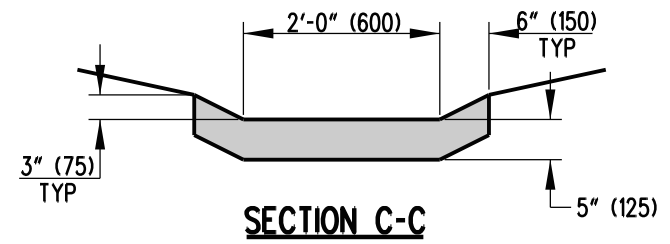


ISOMETRIC VIEW

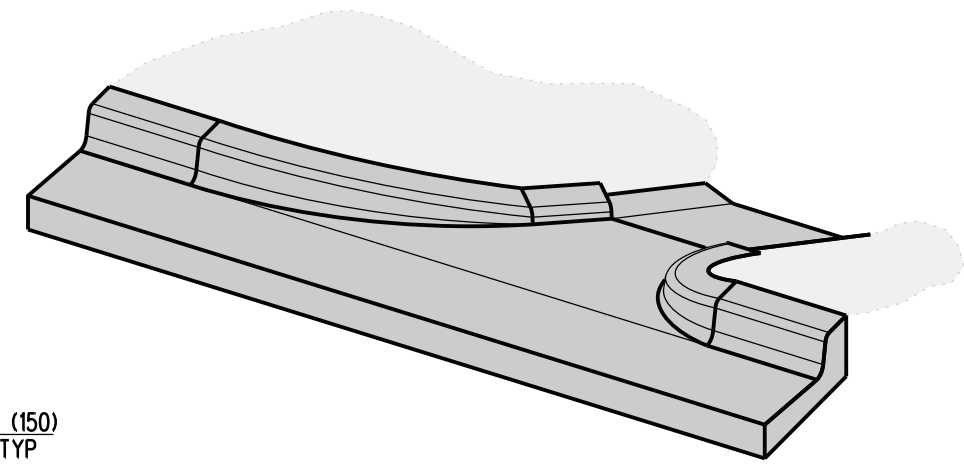
SHOWN WITH INTEGRAL CURB & GUTTER, TYPE 1



**PLAN VIEW
IN SUMP LOCATION**

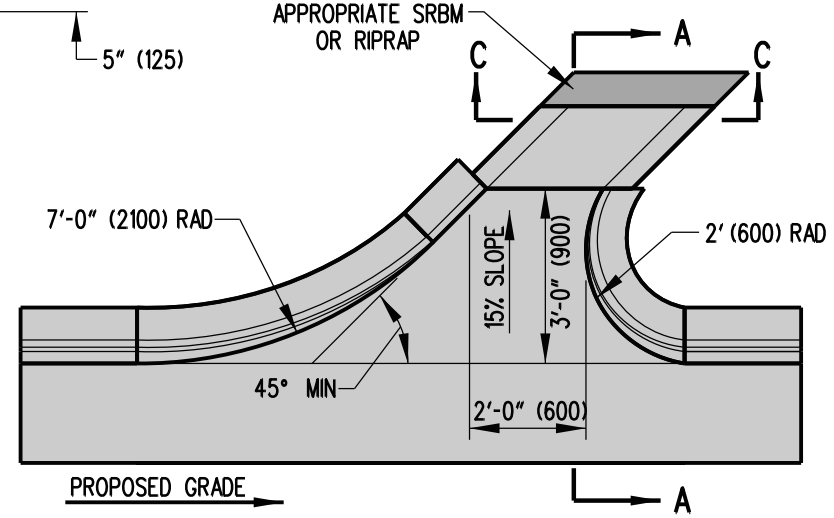


SECTION C-C

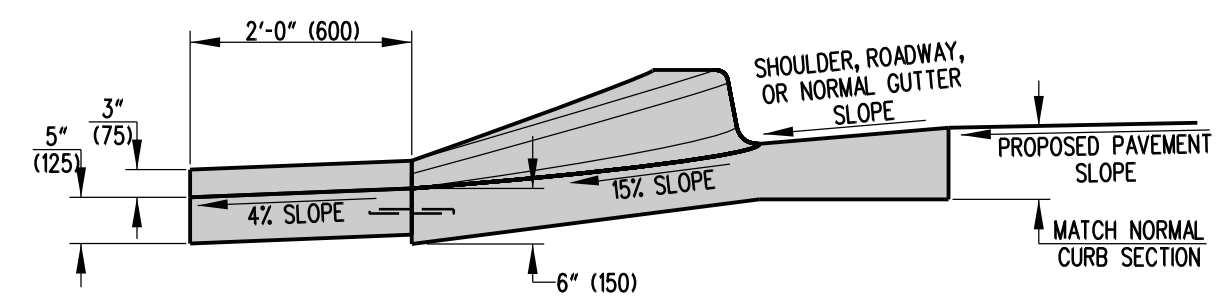


ISOMETRIC VIEW

SHOWN WITH INTEGRAL CURB & GUTTER, TYPE 1



**PLAN VIEW
ON GRADE OR SLOPE**



SECTION A-A



**DELAWARE
DEPARTMENT OF TRANSPORTATION**

CURB OPENING DETAILS

STANDARD NO. C-4 (2010)

SHT. 1 OF 1

APPROVED

SIGNATURE ON FILE 12/28/2010
CHIEF ENGINEER DATE

RECOMMENDED

SIGNATURE ON FILE 12/27/2010
DESIGN ENGINEER DATE