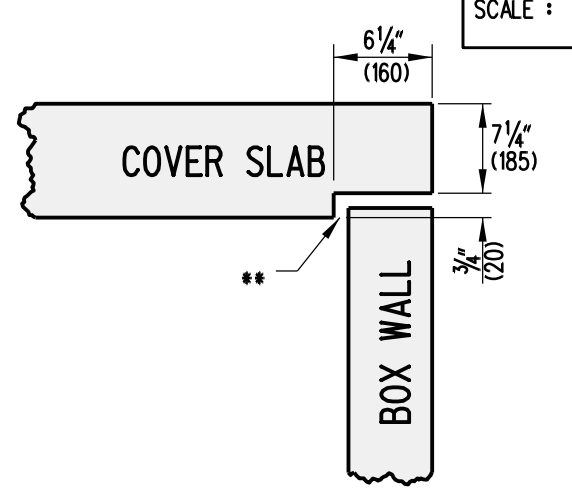
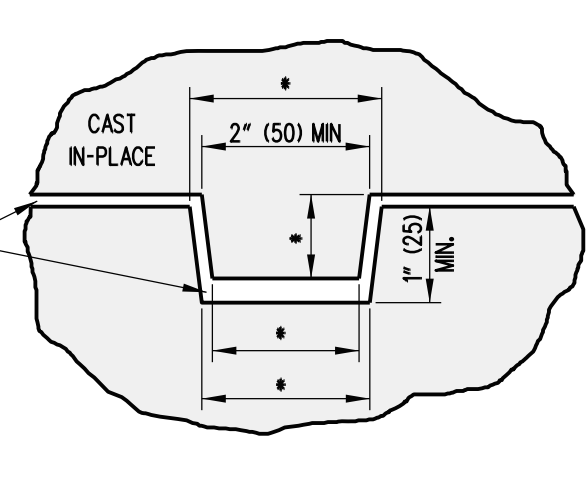
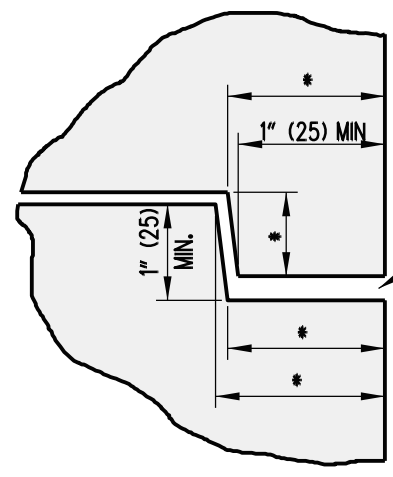
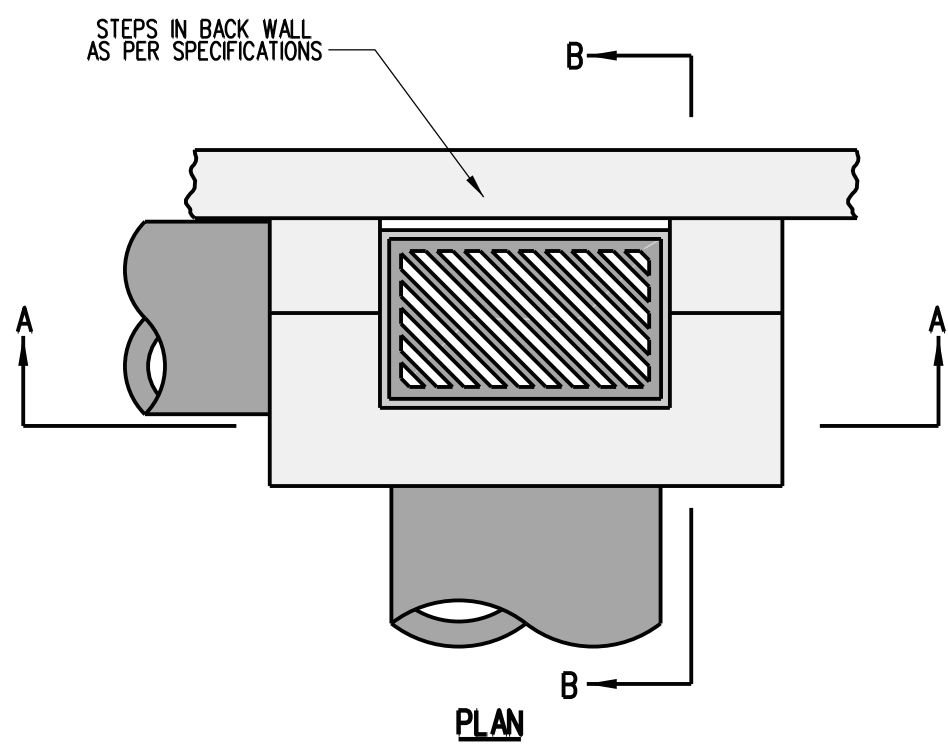


SCALE : N.T.S.



- \* DIMENSIONS WILL VARY
- \*\* JOINT SEALANT AS PER SPECIFICATIONS ONLY BETWEEN 2 PRECAST UNITS

