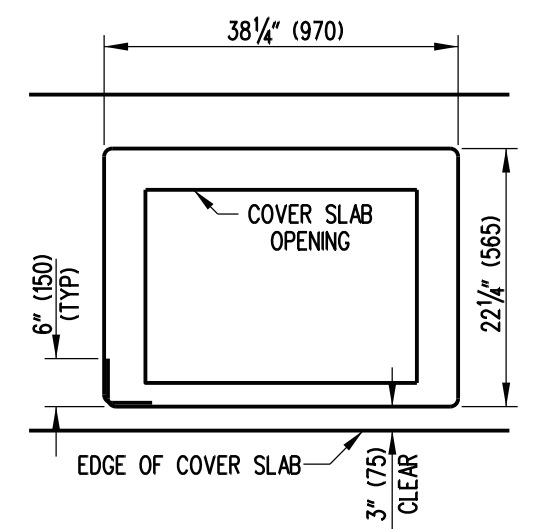


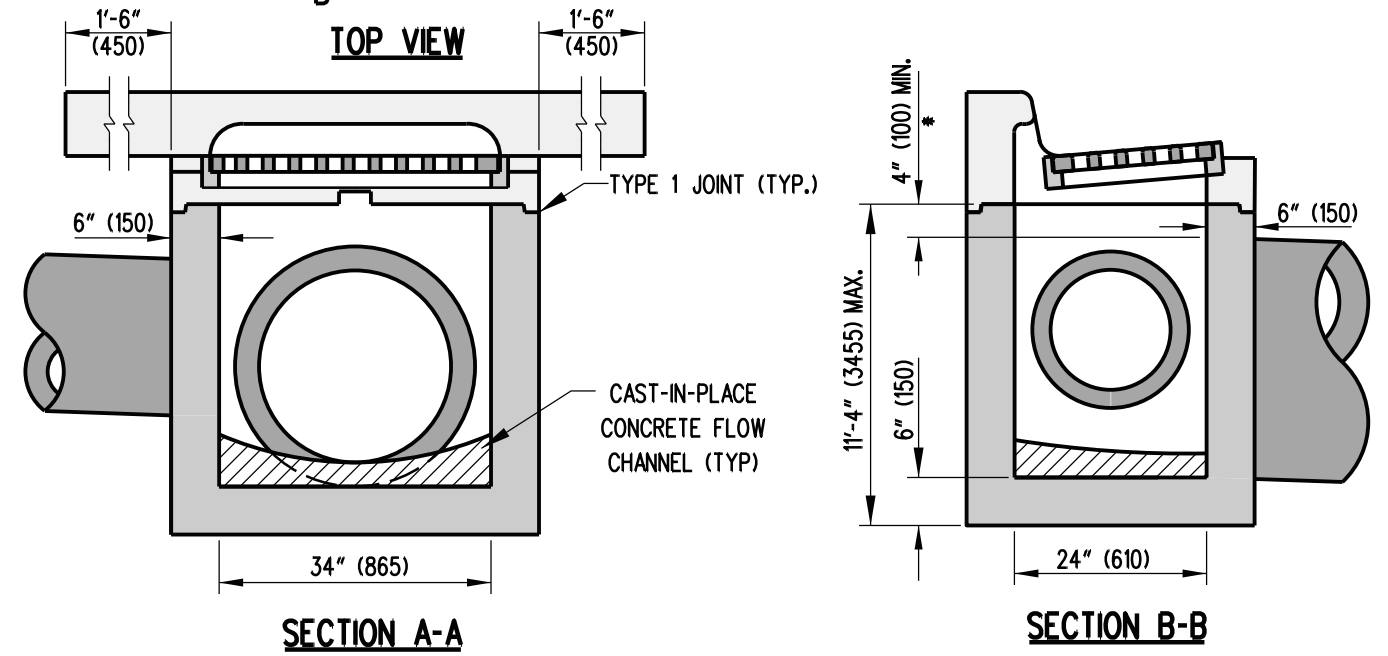
**TOP UNIT DETAILS**

NOTE: SEE DETAIL D-5, SHEET 3 OF 9 FOR INLET TOP UNIT APPLICATIONS.



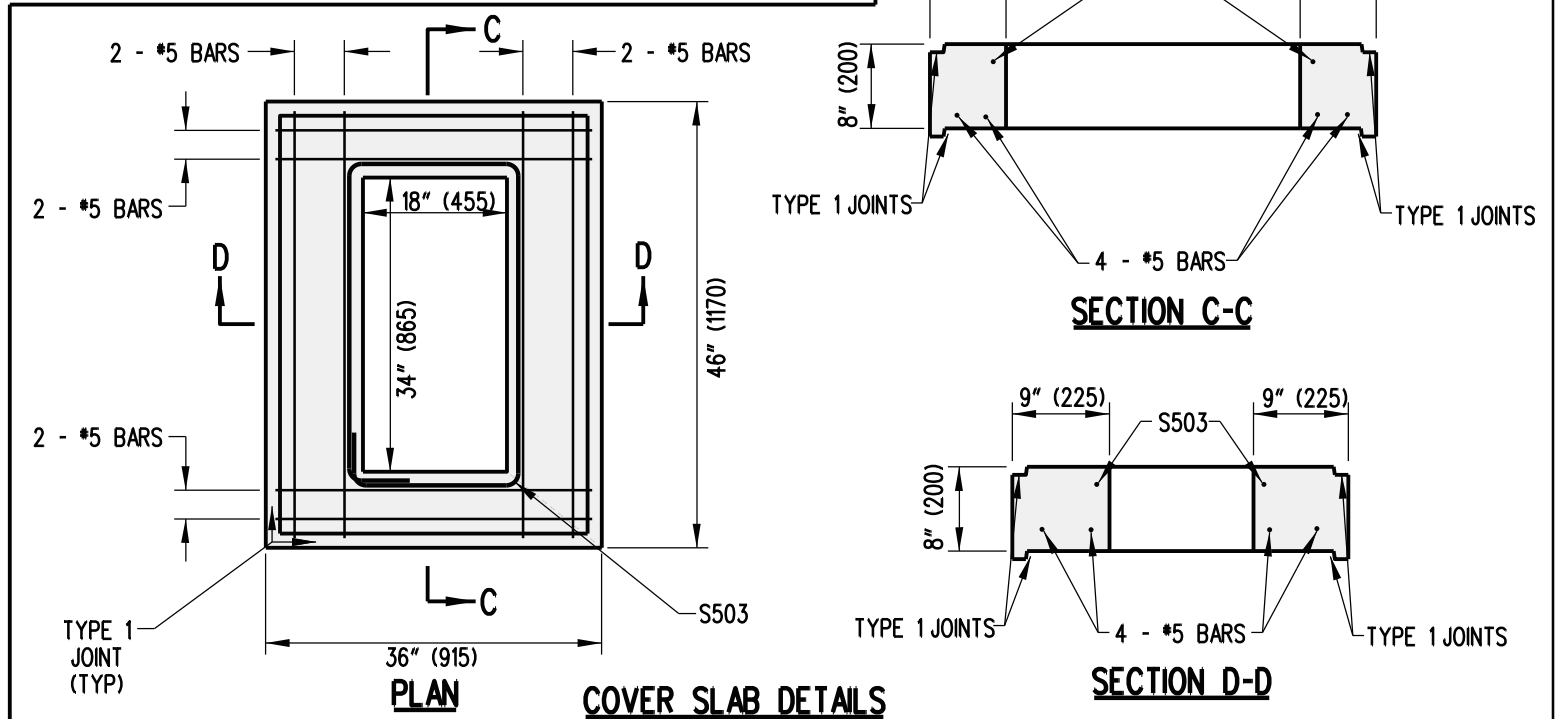
**S503 BENDING DIAGRAM**

S503 IS NOT REQUIRED TO BE ONE CONTINUOUS BAR. IF MORE THAN ONE BAR IS USED, THERE MUST BE A 12" (300) OVERLAP BETWEEN BARS.



**DRAINAGE INLET DETAILS**

NOTE: REFER TO PREVIOUS SHEETS FOR REINFORCING REQUIREMENTS  
\* - SEE OPTIONAL PIPE OPENING DETAIL ON STANDARD NO. D-4, SHEET 1 OF 1



NOTE: COVER SLAB IS ONLY NEEDED FOR TYPES A, C, D, & E TOP UNITS FOR THE 34" (865) x 24" (610) DRAINAGE INLET.