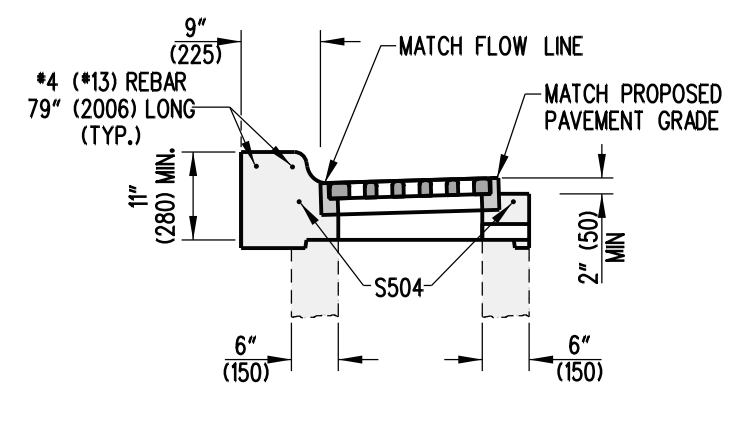
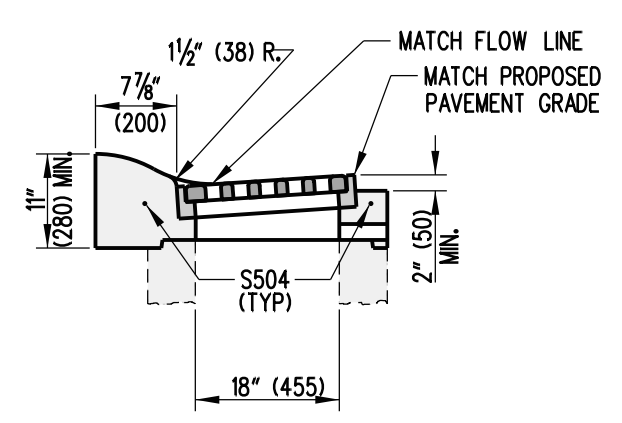


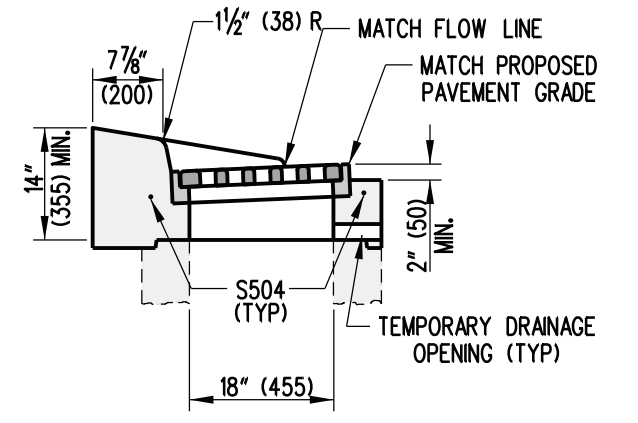
TYPE A



TYPE C

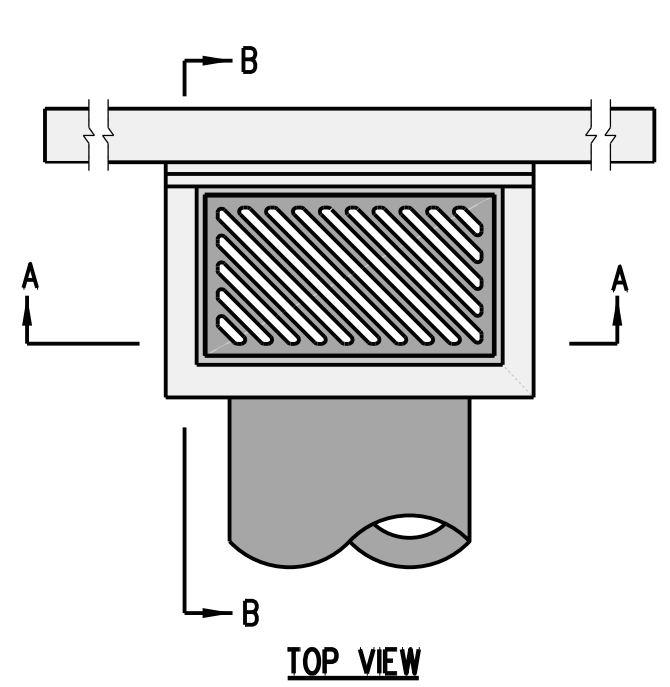


TYPE D

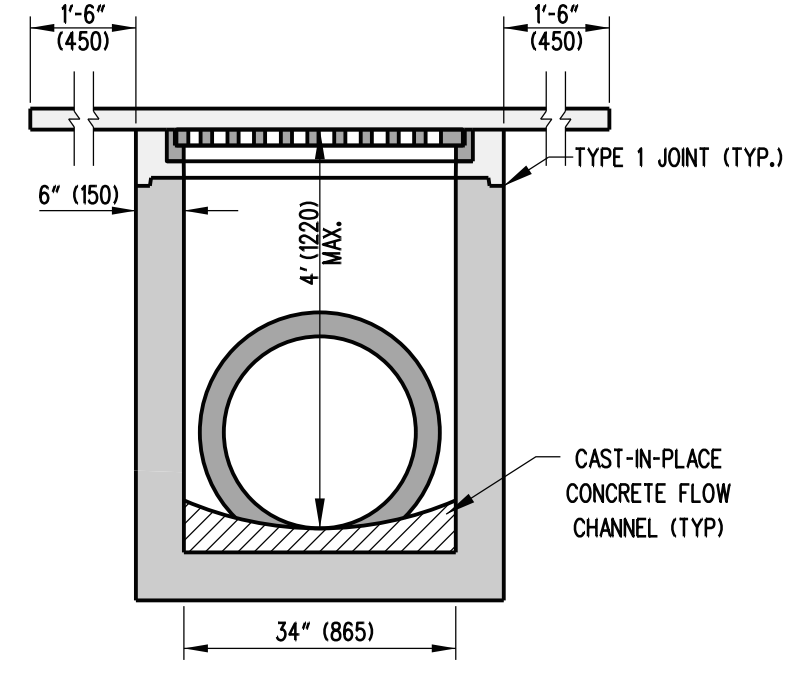


TYPE E

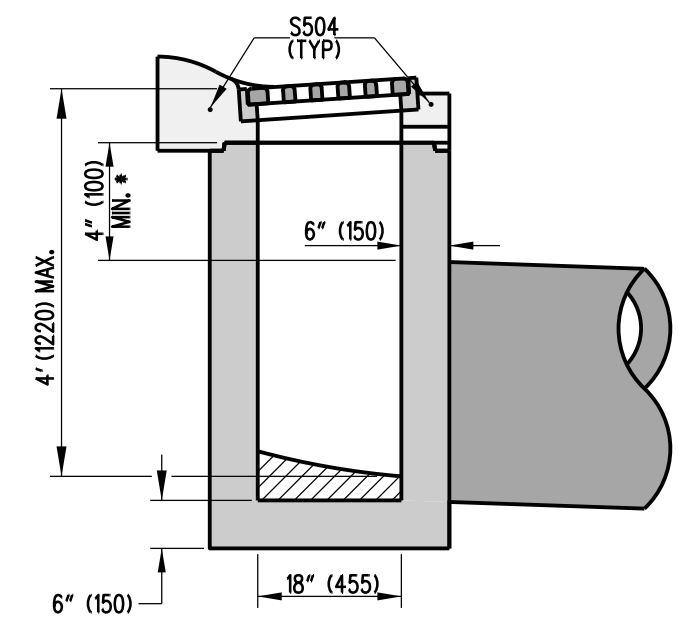
TOP UNIT DETAILS



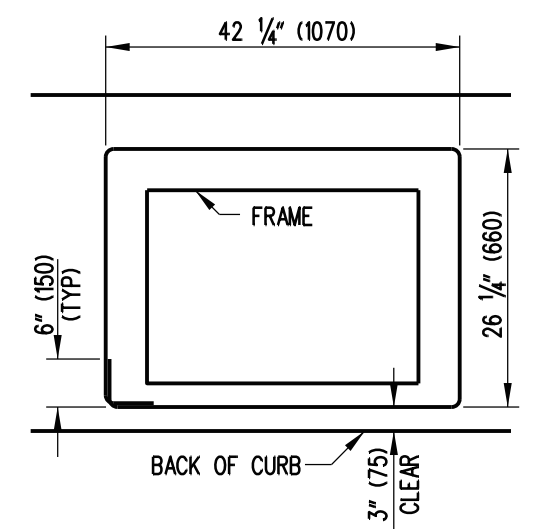
TOP VIEW



SECTION A-A



SECTION B-B



S504 BENDING DIAGRAM

* - SEE OPTIONAL PIPE OPENING DETAIL ON STANDARD D-4, SHEET 1 OF 1.

NOTES:

- 1). REFER TO PREVIOUS SHEETS FOR REINFORCEMENT REQUIREMENTS.
- 2). THE HEIGHT OF THIS INLET IS LIMITED TO 4' (1220) MAXIMUM, THEREFORE STEPS WILL NOT BE REQUIRED AND SHOULD NOT BE INSTALLED ON THIS INLET.
- 3). REFER TO DETAIL D-5, SHEET 3 OF 9 FOR INLET TOP UNIT APPLICATION.