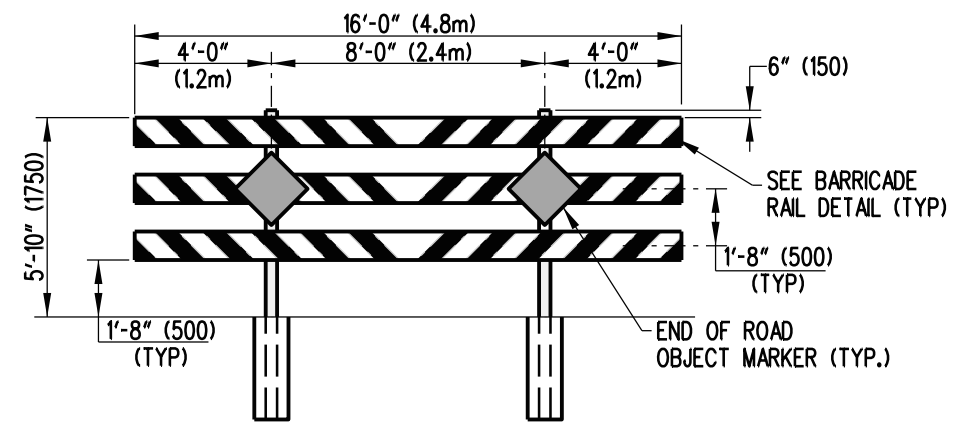
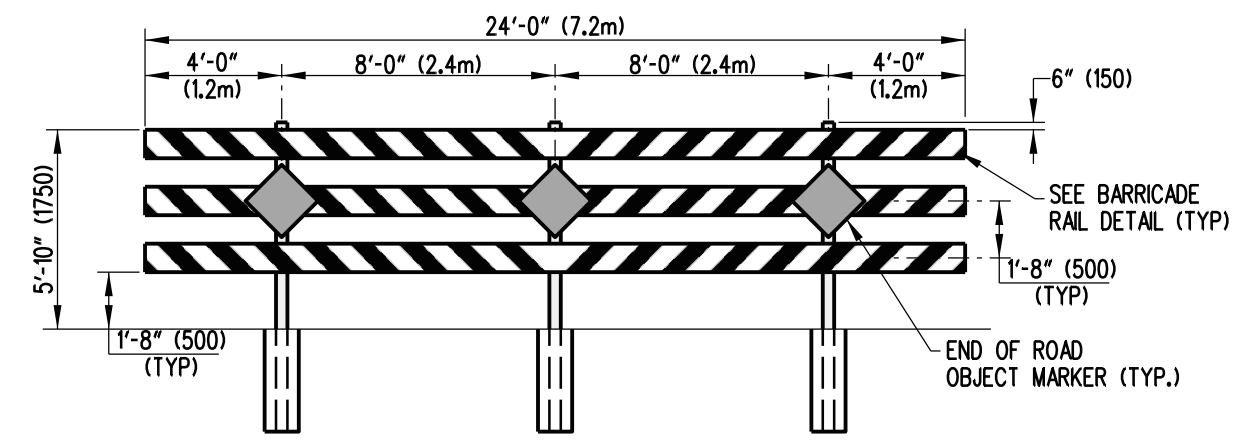


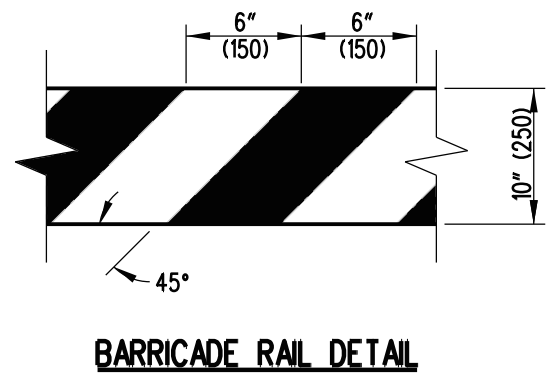
1-POST PERMANENT WOOD BARRICADE DETAIL



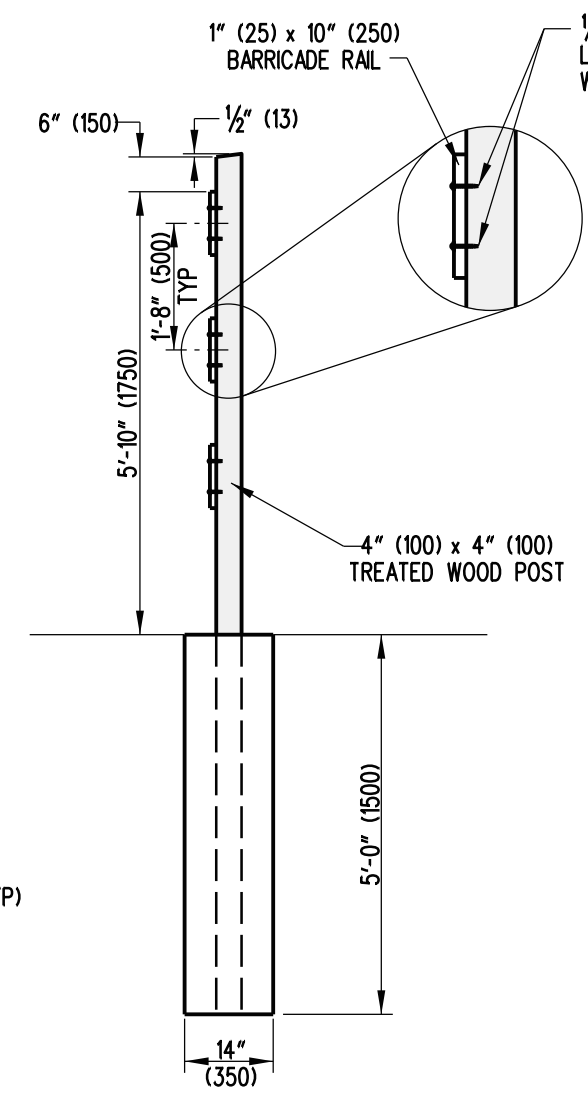
2-POST PERMANENT WOOD BARRICADE DETAIL



3-POST PERMANENT WOOD BARRICADE DETAIL



BARRICADE RAIL DETAIL



BARRICADE POST DETAIL

WOOD BARRICADE POST CHART			
ROADWAY WIDTH	NUMBER OF BARRICADES	TYPE OF POST	OUTSIDE OVERHANG
4'-0" (1.2m)	1	1-POST	2'-0" (600)
6'-0" (1.8m)	1	1-POST	3'-0" (900)
8'-0" (2.4m)	1	1-POST	4'-0" (1,2m)
10'-0" (3m)	1	2-POST	1'-0" (300)
12'-0" (3.6m)	1	2-POST	2'-0" (600)
14'-0" (4.2m)	1	2-POST	3'-0" (900)
16'-0" (4.8m)	1	2-POST	4'-0" (1,2m)
18'-0" (5.4m)	1	3-POST	1'-0" (300)
20'-0" (6m)	1	3-POST	2'-0" (600)
22'-0" (6.6m)	1	3-POST	3'-0" (900)
24'-0" (7.2m)	1	3-POST	4'-0" (1,2m)
26'-0" (7.8m)	2	2-POST	1'-0" (300)
28'-0" (8.4m)	2	2-POST	2'-0" (600)
30'-0" (9m)	2	2-POST	3'-0" (900)
32'-0" (9.6m)	2	2-POST	4'-0" (1,2m)
34'-0" (10.2m)	2	2-POST 3-POST	1'-0" (300)
36'-0" (10.8m)	2	2-POST 3-POST	2'-0" (600)
38'-0" (11.4m)	2	2-POST 3-POST	3'-0" (900)
40'-0" (12m)	2	2-POST 3-POST	4'-0" (1,2m)
42'-0" (12.6m)	2	3-POST	1'-0" (300)
44'-0" (13.2m)	2	3-POST	2'-0" (600)
46'-0" (13.8m)	2	3-POST	3'-0" (900)
48'-0" (14.4m)	2	3-POST	4'-0" (1,2m)
50'-0" (15m)	3	(2) 2-POST <ENDS> (1) 3-POST <CENTER>	1'-0" (300)

NOTES:

- BARRICADES SHALL BE PLACED COMPLETELY ACROSS THE ROADWAY FROM EDGE OF ROAD TO EDGE OF ROAD. IF NECESSARY, THE BARRICADE OVERHANG BEYOND THE OUTSIDE POSTS (TYPICALLY 4'-0" (1.2m)) MAY BE REDUCED TO THE "OUTSIDE OVERHANG" VALUE INDICATED IN THE TABLE ABOVE IF OBSTACLES ARE PRESENT BEYOND THE ROADWAY EDGE.
- MARKINGS FOR BARRICADE RAILS SHALL BE ALTERNATING FLUORESCENT RED AND WHITE STRIPES, SLOPING DOWNWARD AT AN ANGLE OF 45 DEGREES, USING PRISMATIC, RETROREFLECTIVE SHEETING. STRIPES SHALL SLOPE DOWNWARD TOWARDS THE CENTER OF THE CLOSURE.
- ATTACH BARRICADE RAIL AND OBJECT MARKER TO THE 4" (100) x 4" (100) PRESSURE TREATED WOOD POST USING LAG BOLTS (2" (50) LONG, MINIMUM) WITH WASHERS. TWO BOLTS PER RAIL PER POST SHALL BE REQUIRED.
- ALL WOOD SHALL BE PRESSURE TREATED.
- THE END OF ROAD OBJECT MARKER (MUTCD CODE OM4-3) SHALL BE 18" (450) x 18" (450) WITH RED PRISMATIC, RETROREFLECTIVE SHEETING.
- TREATED WOOD POST SHALL BE PLACED IN PRE-DUG HOLE, BACKFILLED USING SUITABLE MATERIAL, AND TAMPED THOROUGHLY TO PROVIDE A RIGID SUB-SURFACE CONDITION AROUND THE POST.
- BARRICADE RAILS MAY BE CONSTRUCTED USING PLASTIC OR WOOD AND SHOULD NOT BE METAL.
- LONGER WIDTH CLOSERS CAN BE ACCOMODATED BY VARIOUS COMBINATIONS OF 2-POST AND 3-POST BARRICADES.