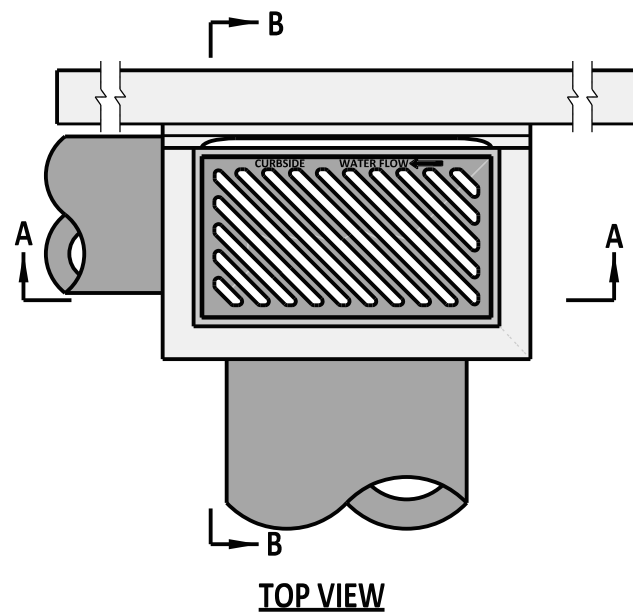
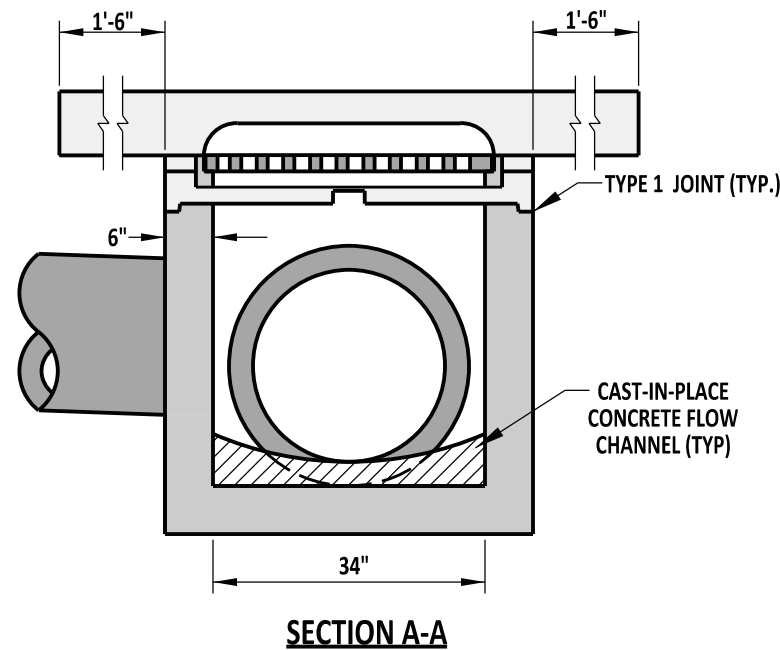


**TOP UNIT DETAILS**

NOTE: SEE DETAIL D-5, SHEET 3 OF 9 FOR INLET TOP UNIT APPLICATIONS.



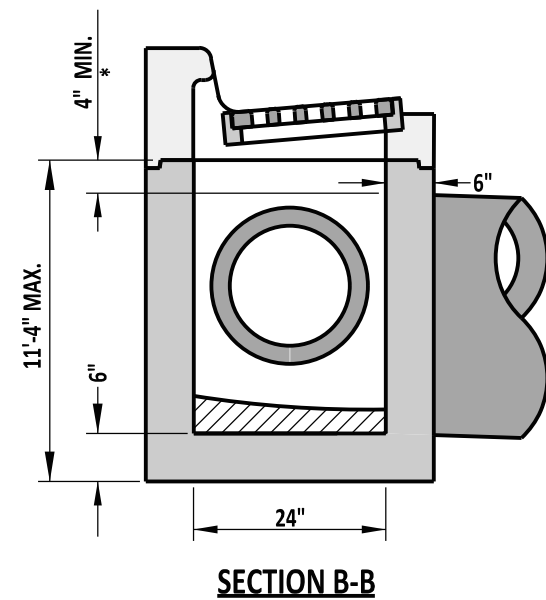
**TOP VIEW**



**SECTION A-A**

**DRAINAGE INLET DETAILS**

NOTE: REFER TO PREVIOUS SHEETS FOR REINFORCING REQUIREMENTS  
 \* - SEE OPTIONAL PIPE OPENING DETAIL ON STANDARD NO. D-4, SHEET 1 OF 1



**SECTION B-B**



**DELAWARE  
 DEPARTMENT OF TRANSPORTATION**

**34" x 24" DRAINAGE INLET AND COVER SLAB DETAILS**

STANDARD NO. D-5 (2011) SHT. 6 OF 9

**APPROVED**

SIGNATURE ON FILE  
CHIEF ENGINEER

12/22/2011  
DATE

**RECOMMENDED**

SIGNATURE ON FILE  
DESIGN ENGINEER

12/21/2011  
DATE