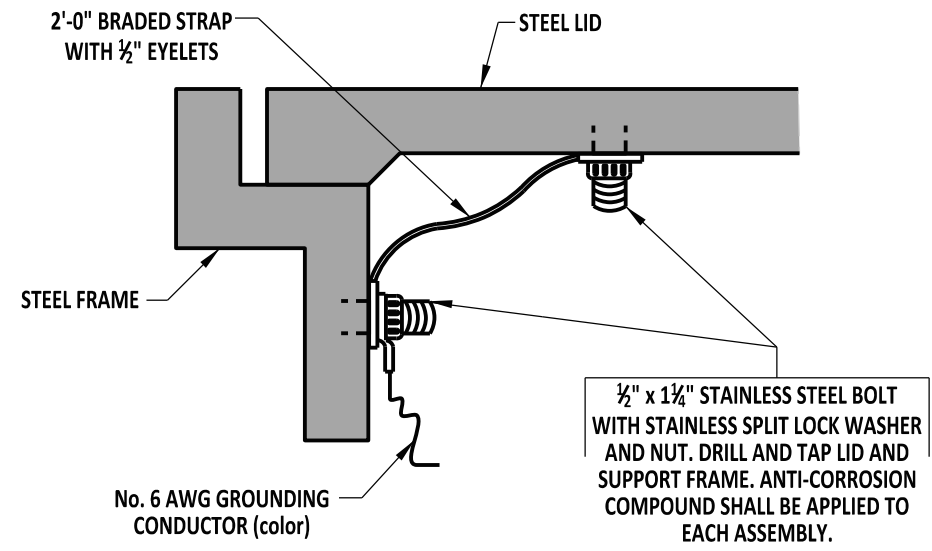
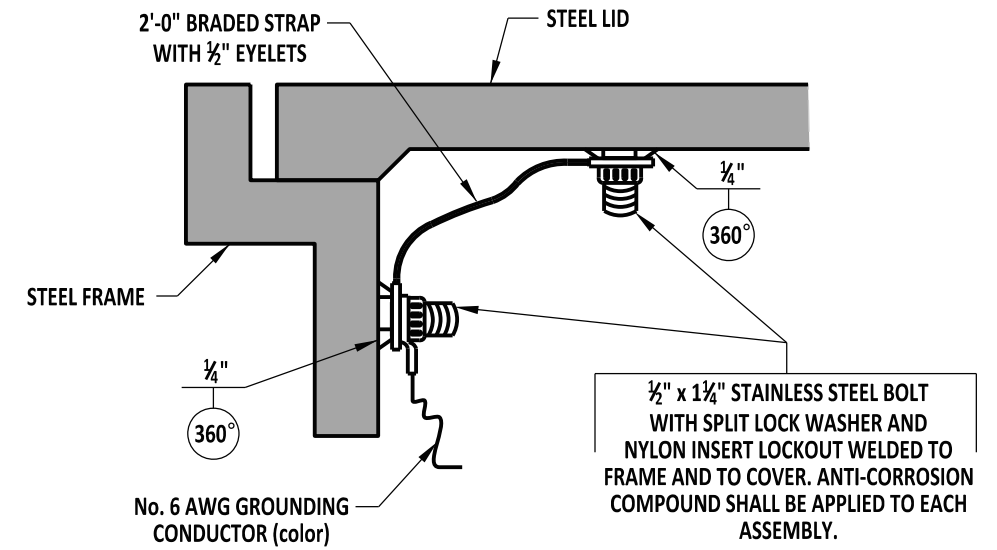


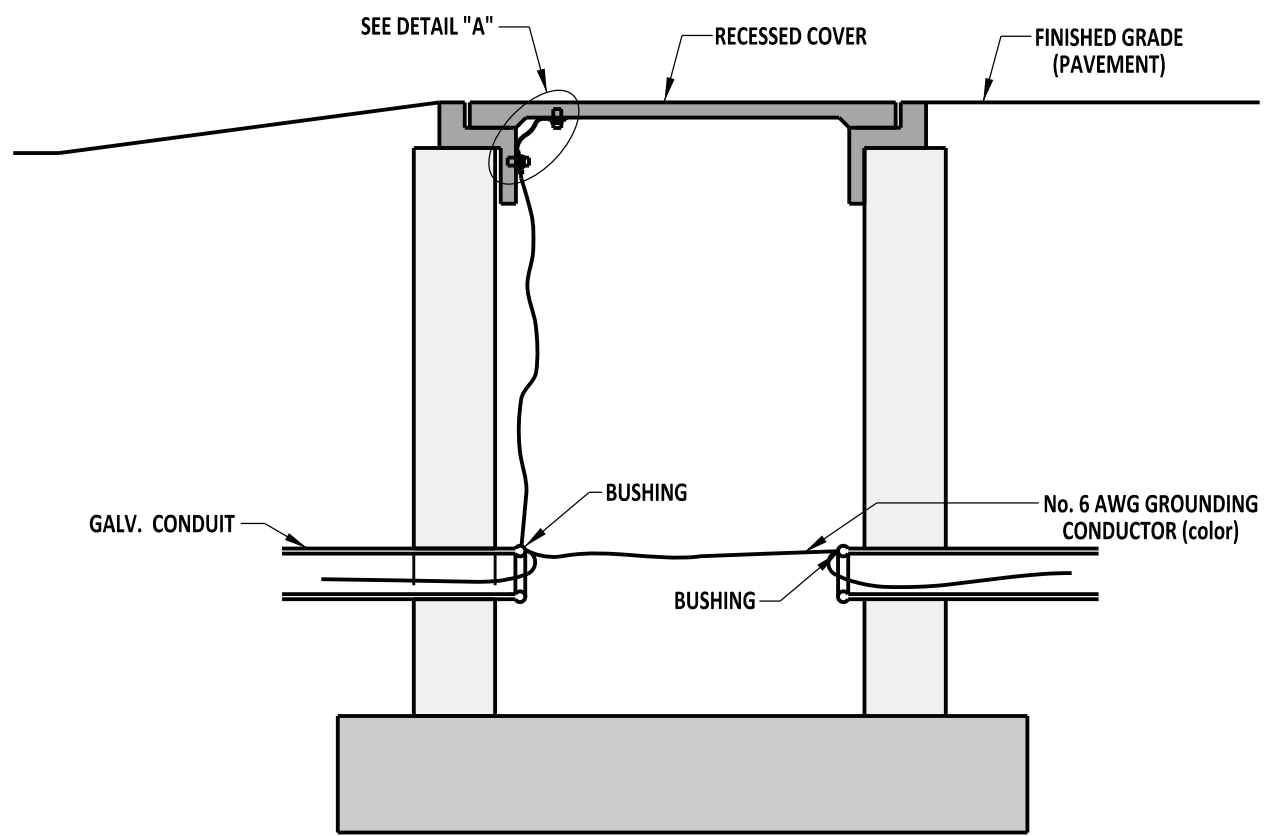
SCALE : NTS



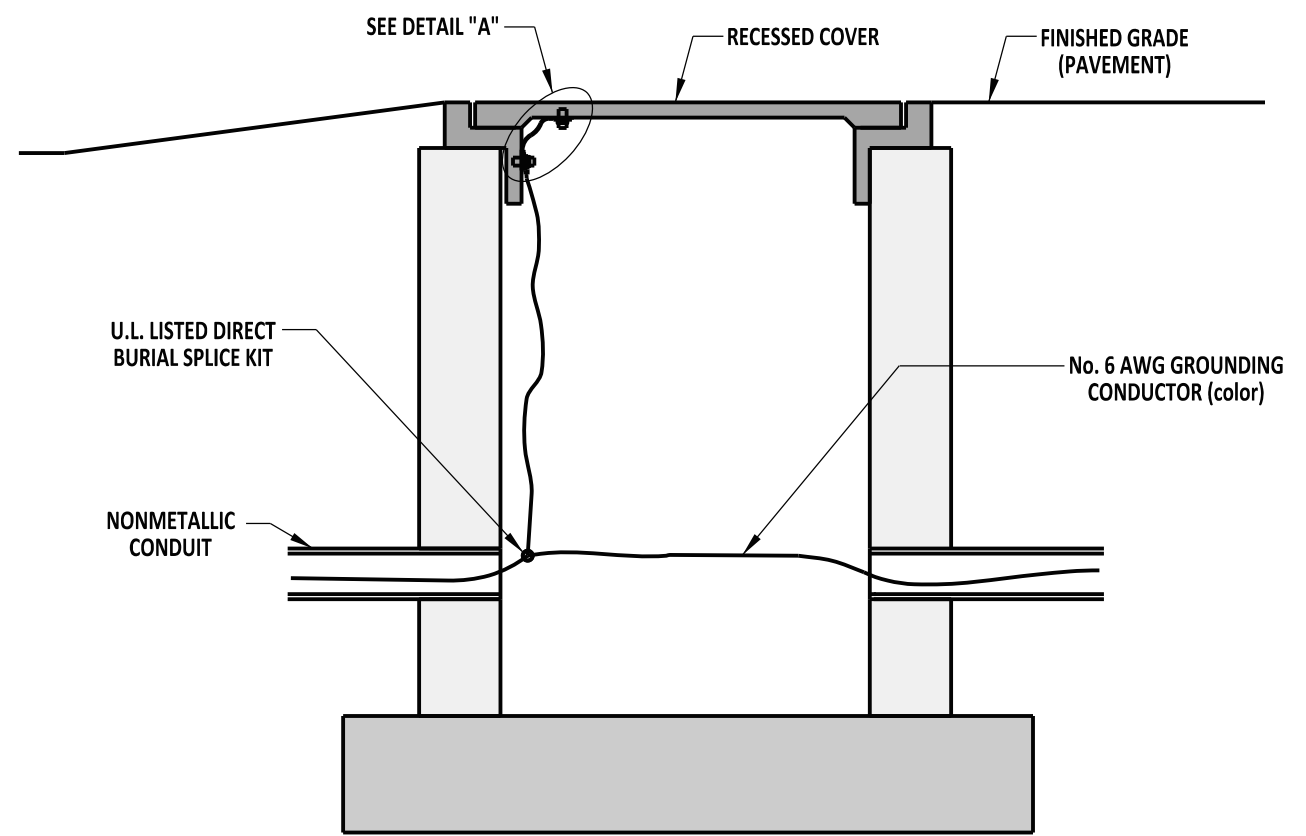
**DETAIL "A"**



**BONDING AN EXISTING JUNCTION WELL COVER & FRAME**



**JUNCTION WELL BONDING GALVANIZED TO GALVANIZED**



**JUNCTION WELL BONDING NONMETALLIC CONDUIT**