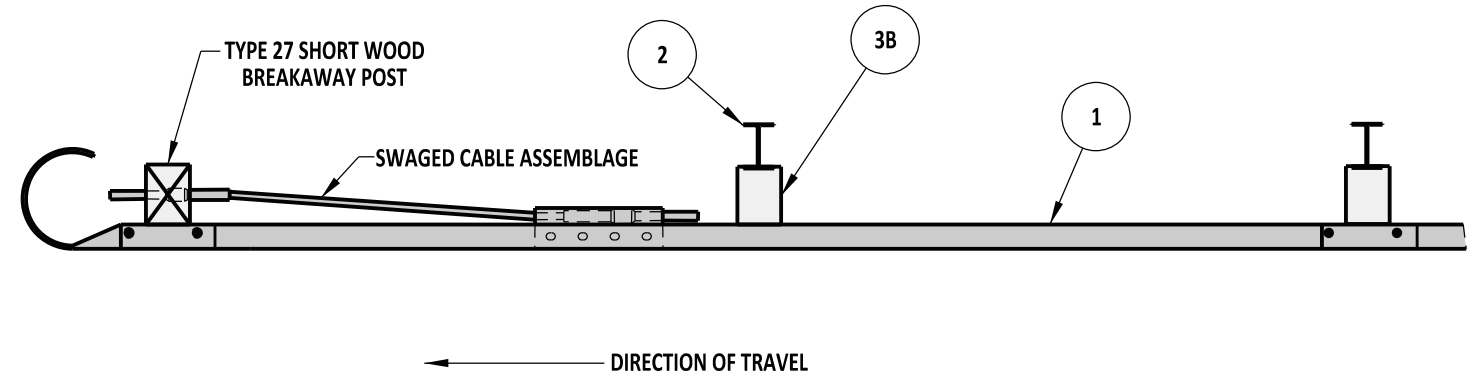
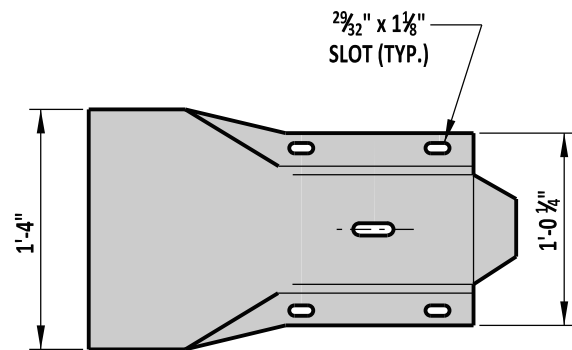


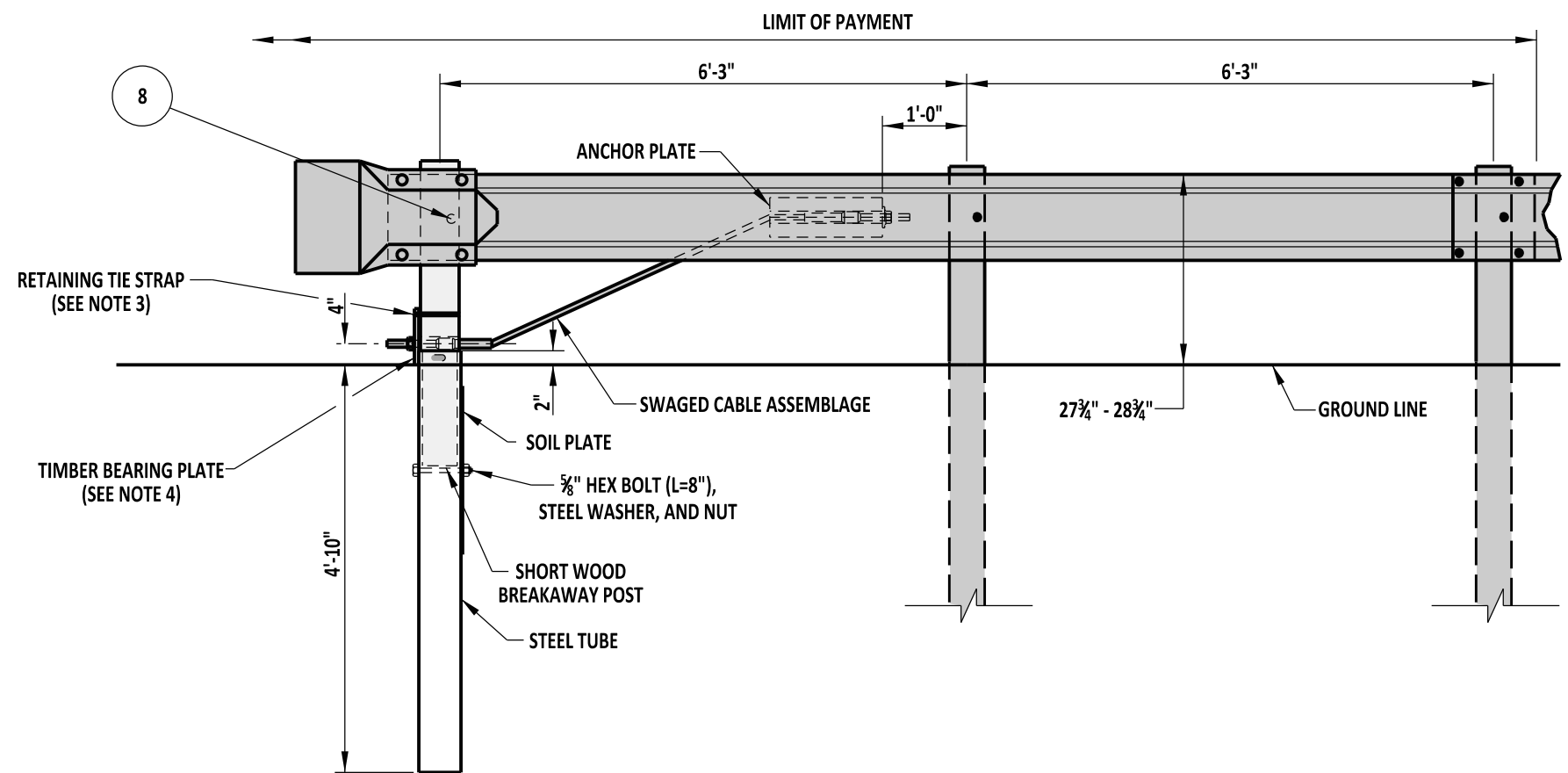
END SECTION PLAN



PLAN



END SECTION ELEVATION



ELEVATION

NOTES:

- 1). ADDITIONAL HOLES FOR ANCHOR PLATE SHALL BE DRILLED PRIOR TO GALVANIZING. (SEE STANDARD HARDWARE SHEET FOR HOLE SPACING INFORMATION).
- 2). CONTRACTOR HAS THE OPTION OF USING A 6'-0" STEEL TUBE WITHOUT A SOIL PLATE OR A 5'-0" STEEL TUBE WITH A SOIL PLATE.
- 3). PLACE A 1/2" WIDE PLASTIC RETAINING TIE STRAP AROUND THE SHORT TIMBER BREAKAWAY POST AND TIMBER BEARING PLATE TO ENSURE THE PROPER ORIENTATION OF THE TIMBER BEARING PLATE.
- 4). REFER TO DETAIL B-13, SHEET 8 OF 10 FOR PROPER TIMBER BEARING PLATE ORIENTATION.



DELAWARE
DEPARTMENT OF TRANSPORTATION

END ANCHORAGE, TYPE 27

STANDARD NO. B-19 (2012) SHT. 1 OF 1

APPROVED

SIGNATURE ON FILE
CHIEF ENGINEER

01/07/2013
DATE

RECOMMENDED

SIGNATURE ON FILE
DESIGN ENGINEER

12/20/2012
DATE