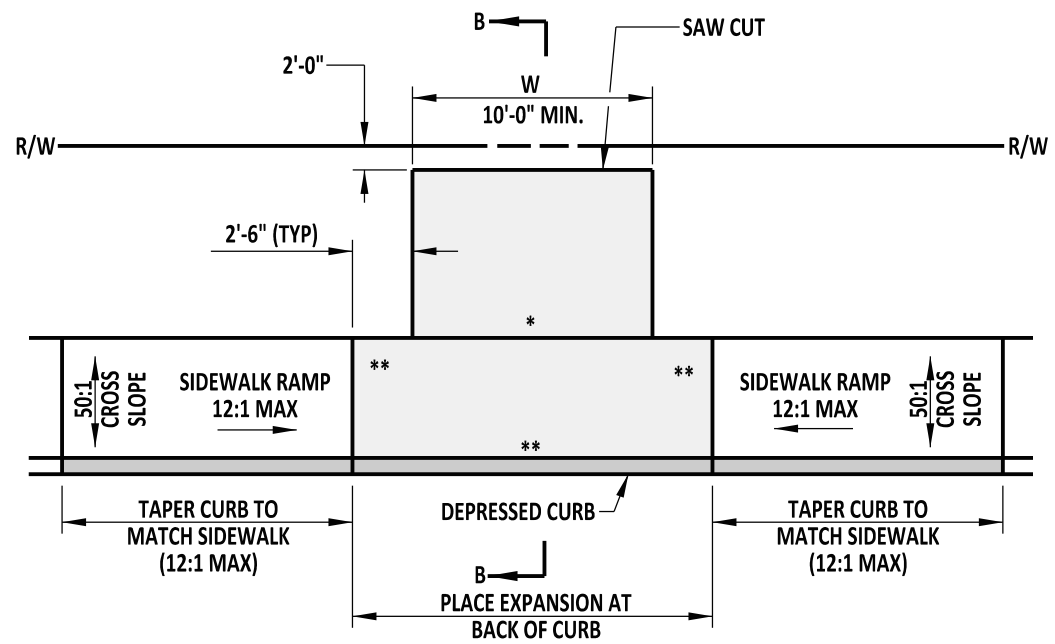


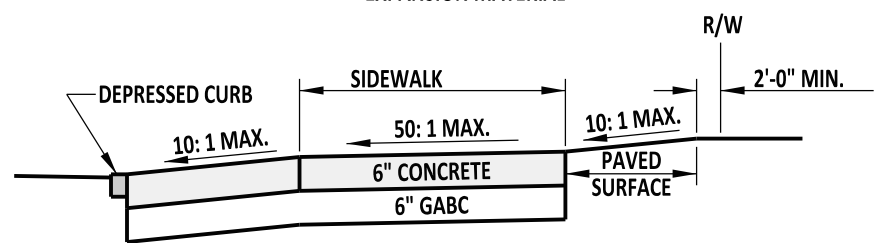
ENTRANCE WITH SIDEWALK AND GRASS STRIP

* - JOINT
** - EXPANSION MATERIAL

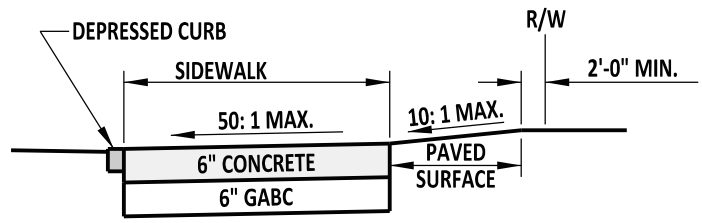


ENTRANCE WITH SIDEWALK AND NO GRASS STRIP

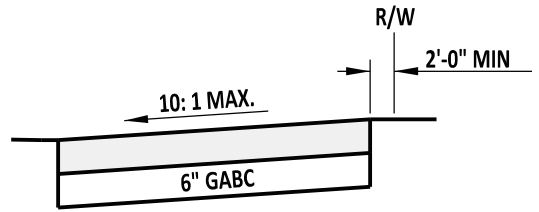
* - JOINT
** - EXPANSION MATERIAL



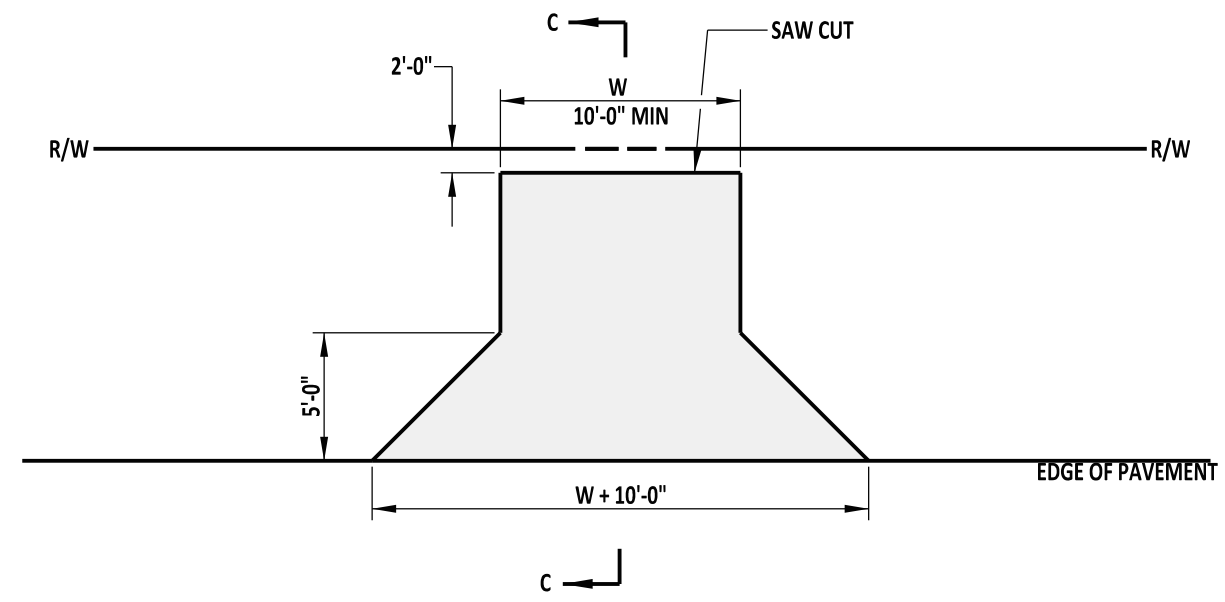
SECTION A-A



SECTION B-B



SECTION C-C



ENTRANCE WITHOUT SIDEWALK

NOTE:
IF WIDTH OF DRIVEWAY IS 15'-0" OR GREATER, THE FLARE AND EXTENSIONS CAN BE OMITTED.



ENTRANCES	
STANDARD NO. C-3 (2012)	SHT. 1 OF 1

APPROVED	SIGNATURE ON FILE <small>CHIEF ENGINEER</small>	01/07/2013 <small>DATE</small>
RECOMMENDED	SIGNATURE ON FILE <small>DESIGN ENGINEER</small>	12/20/2012 <small>DATE</small>