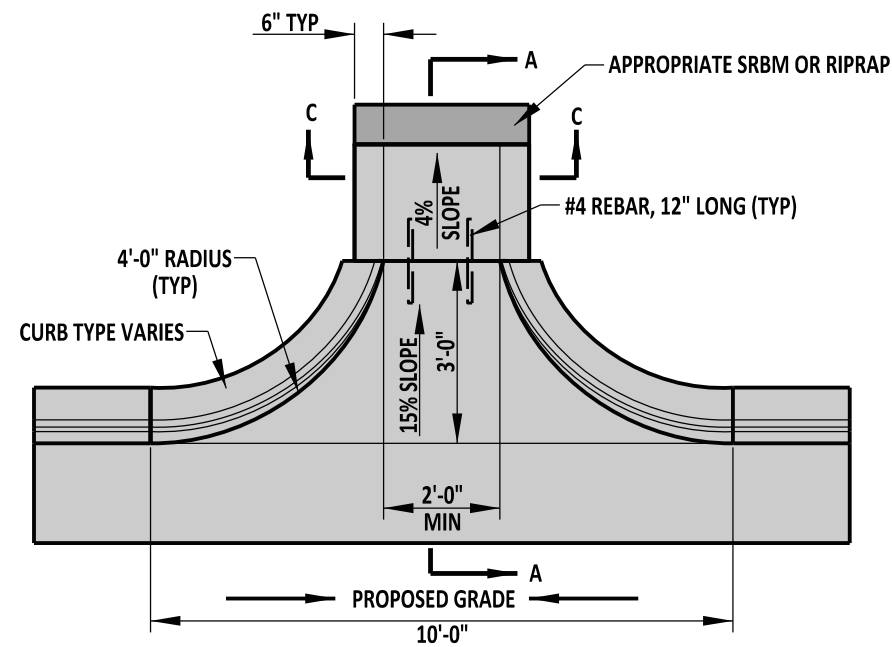


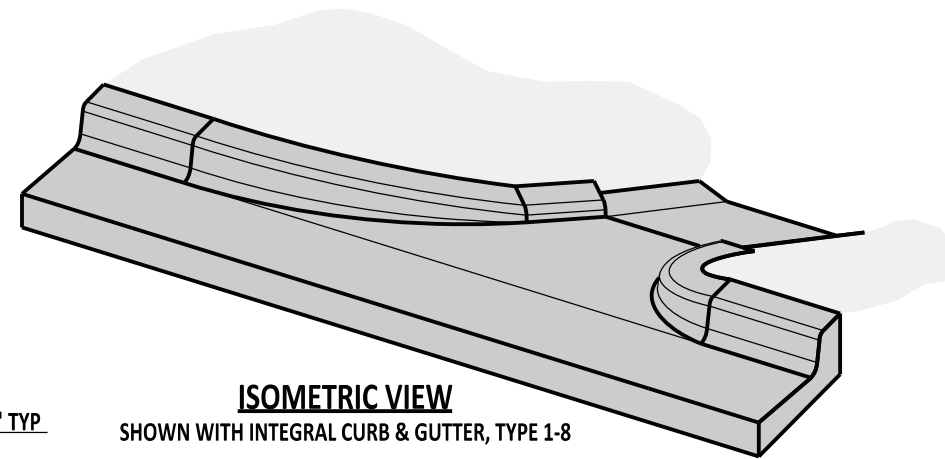
**ISOMETRIC VIEW**

SHOWN WITH INTEGRAL CURB & GUTTER, TYPE 1-8



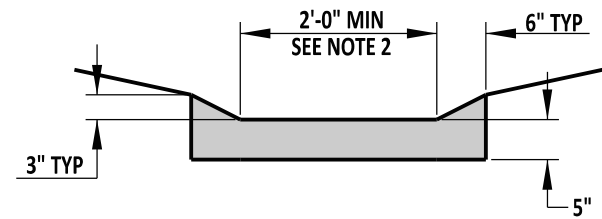
**PLAN VIEW**

**IN SUMP LOCATION**

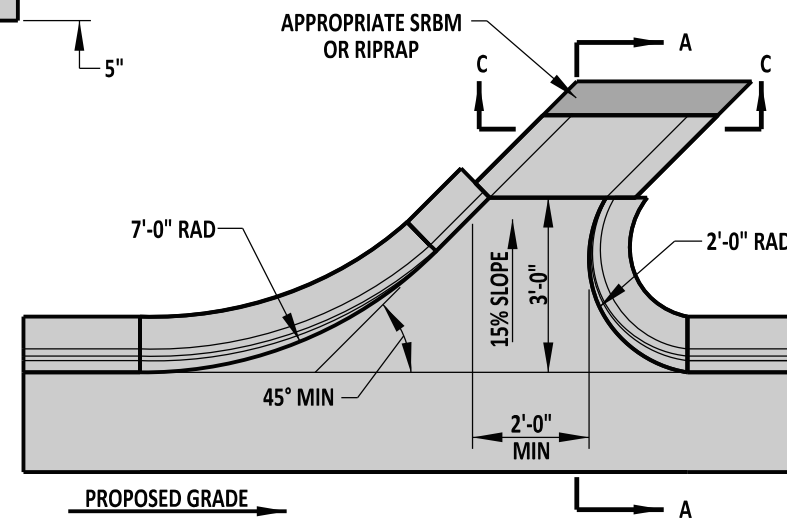


**ISOMETRIC VIEW**

SHOWN WITH INTEGRAL CURB & GUTTER, TYPE 1-8

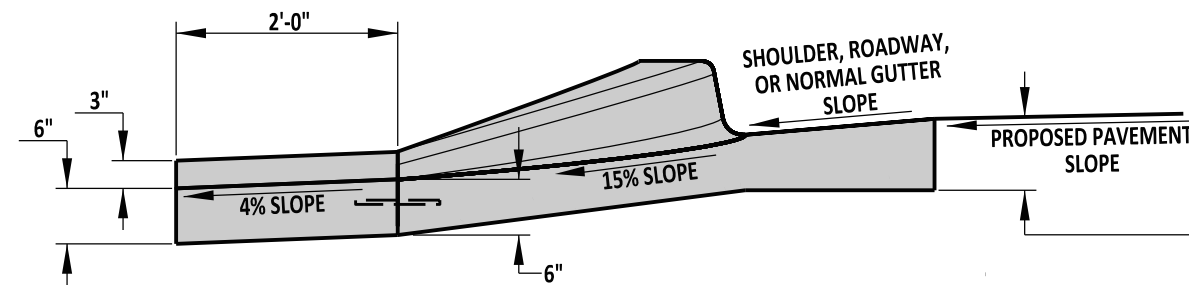


**SECTION C-C**



**PLAN VIEW**

**ON GRADE OR SLOPE**



**SECTION A-A**

**NOTES:**

- 1). DESIGNER SHALL ESTABLISH WIDTH OF OPENING BASED ON DRAINAGE CALCULATIONS.
- 2). THE WIDTH OF THE APRON (SHOWN IN SECTION C-C) SHALL MATCH THE WIDTH OF THE CURB OPENING (SHOWN IN PLAN VIEW).



**DELAWARE**  
**DEPARTMENT OF TRANSPORTATION**

**CURB OPENING DETAILS**

STANDARD NO. C-4 (2012) SHT. 1 OF 1

**APPROVED**

SIGNATURE ON FILE  
CHIEF ENGINEER

01/07/2013  
DATE

**RECOMMENDED**

SIGNATURE ON FILE  
DESIGN ENGINEER

12/20/2012  
DATE