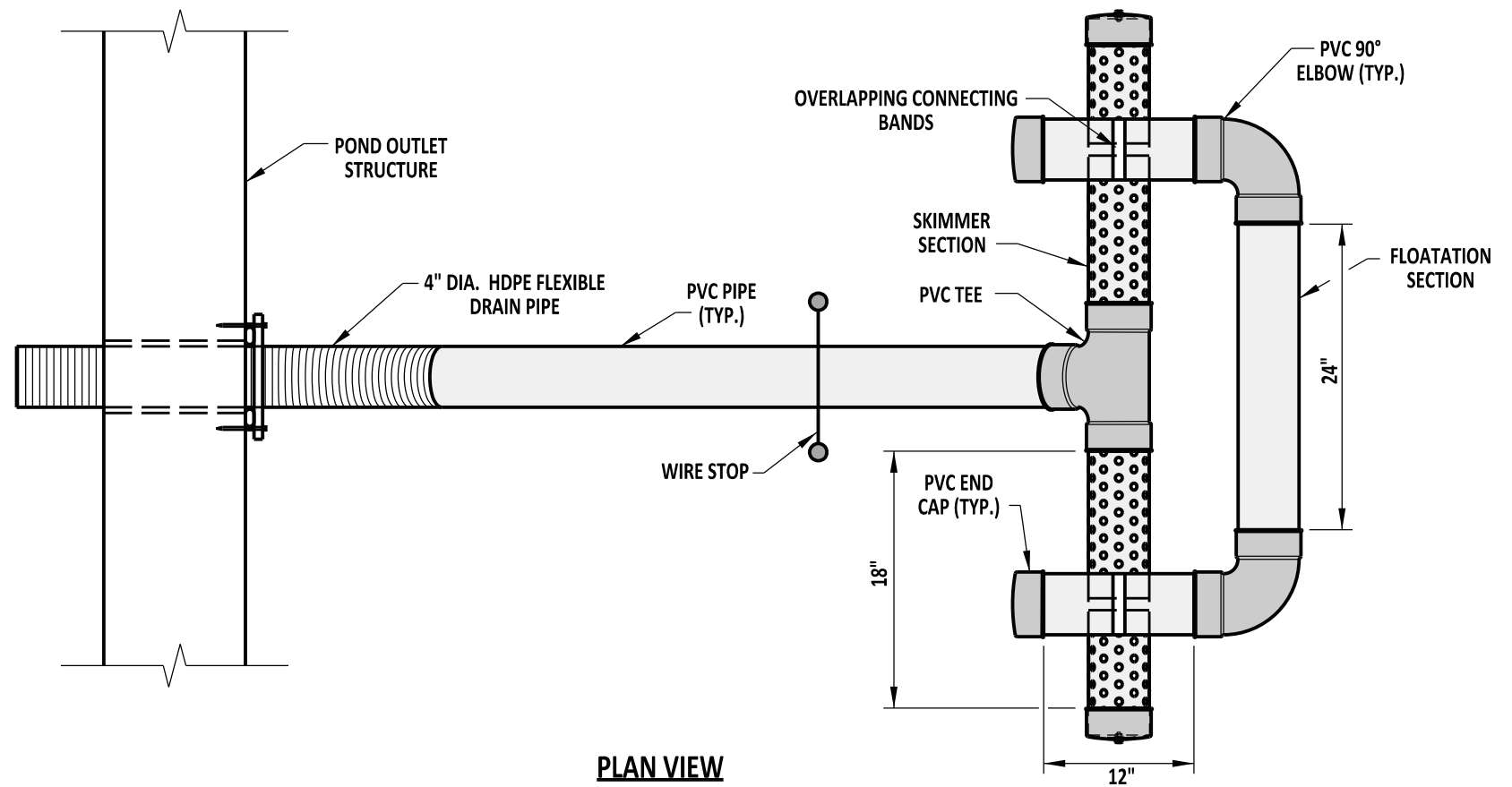


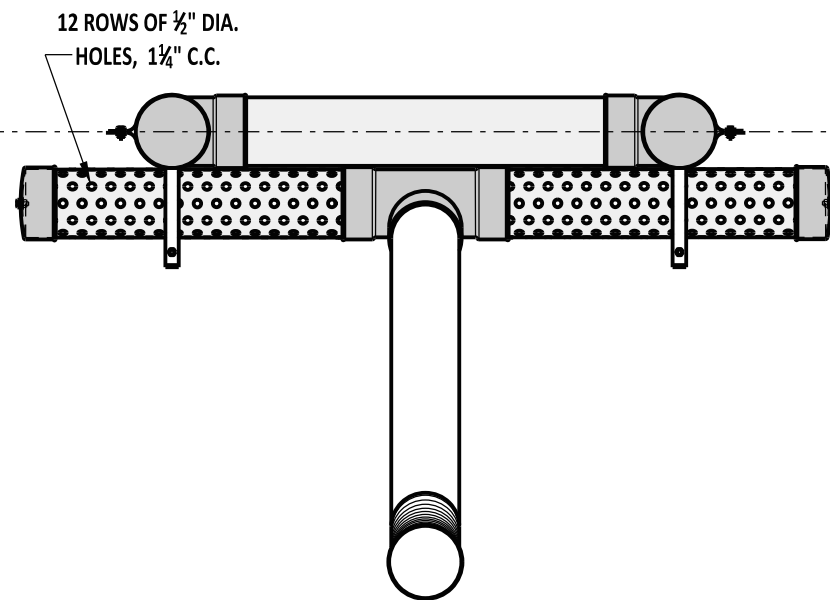
**NOTES:**

- 1). ALL P.V.C. PIPES ARE TO BE 4" I.D., SCHEDULE 40.
- 2). ALL JOINTS OF THE FLOATATION SECTION SHALL BE SOLVENT WELDED.
- 3). 4" HDPE FLEXIBLE DRAIN PIPE IS TO BE ATTACHED TO THE POND OUTLET STRUCTURE WITH WATER TIGHT CONNECTIONS

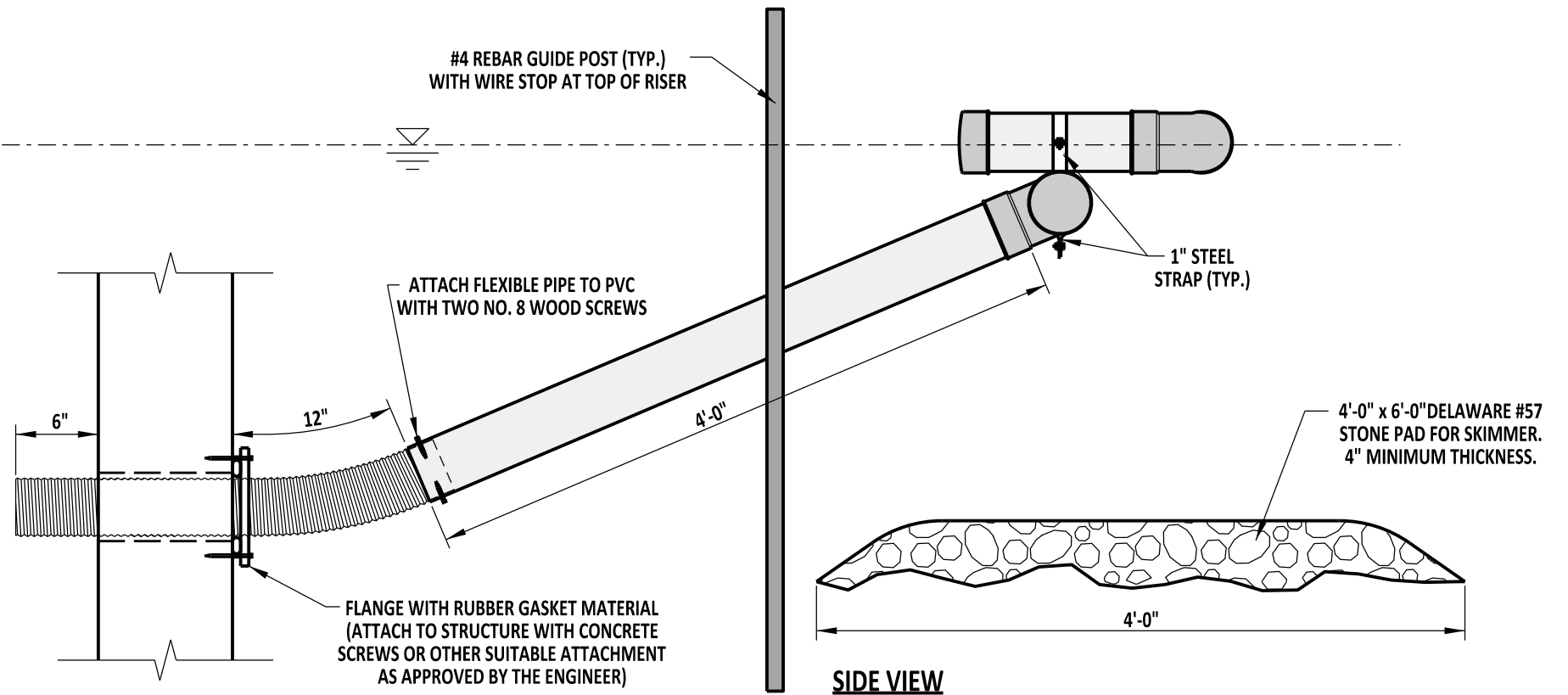
SCALE : NTS



**PLAN VIEW**



**FRONT VIEW**



**SIDE VIEW**



DELAWARE  
DEPARTMENT OF TRANSPORTATION

SKIMMER DEWATERING DEVICE

STANDARD NO. E-22 (2012) SHT. 1 OF 1

APPROVED

SIGNATURE ON FILE  
CHIEF ENGINEER

01/07/2013  
DATE

RECOMMENDED

SIGNATURE ON FILE  
DESIGN ENGINEER

12/20/2012  
DATE