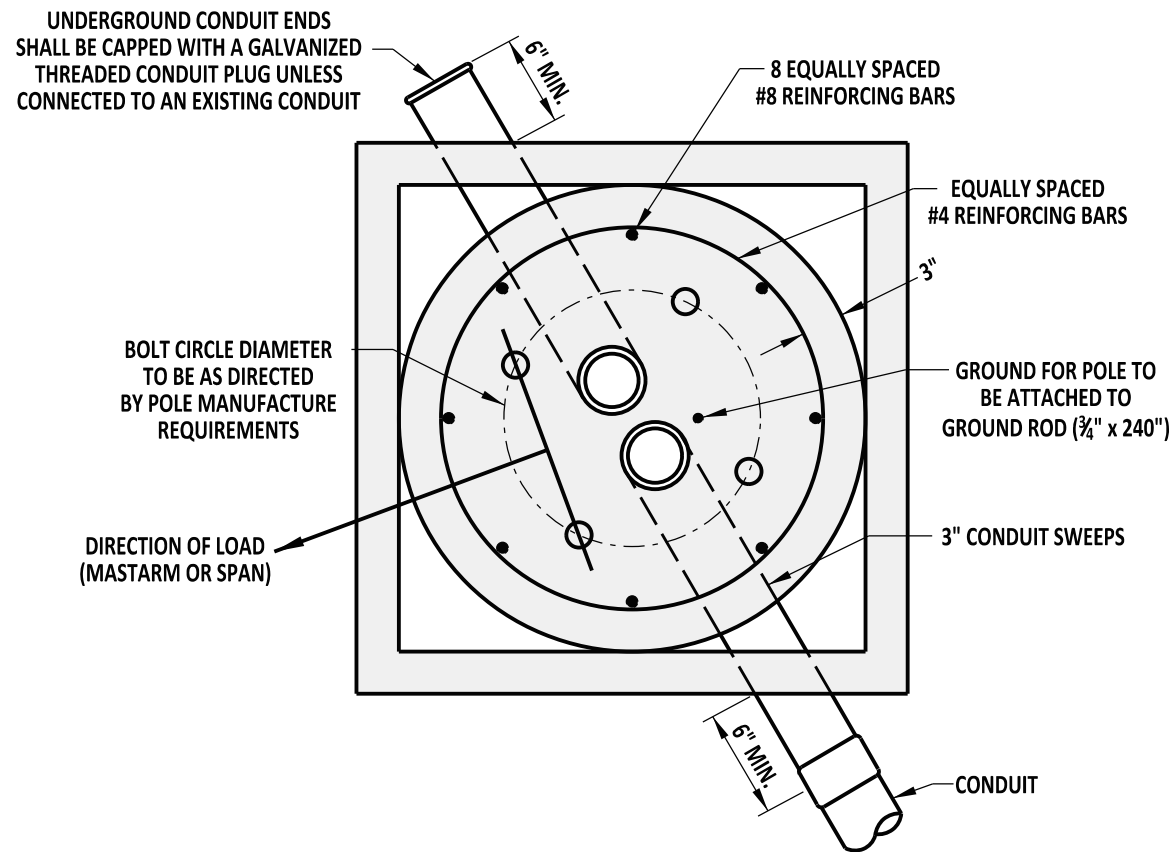


ROUND BASE



ROUND BASE w/ SQUARE FOUNDATION HEADER

NOTE: SQUARE FOUNDATION HEADER SHALL HAVE A 6" MINIMUM DEPTH.



DELAWARE
DEPARTMENT OF TRANSPORTATION

STANDARD NO. T-5 (2013)		POLE BASES SHT. 1 OF 4		APPROVED	SIGNATURE ON FILE	02/14/2014
				RECOMMENDED	SIGNATURE ON FILE	01/14/2014
				CHIEF ENGINEER		DATE
				DESIGN ENGINEER		DATE