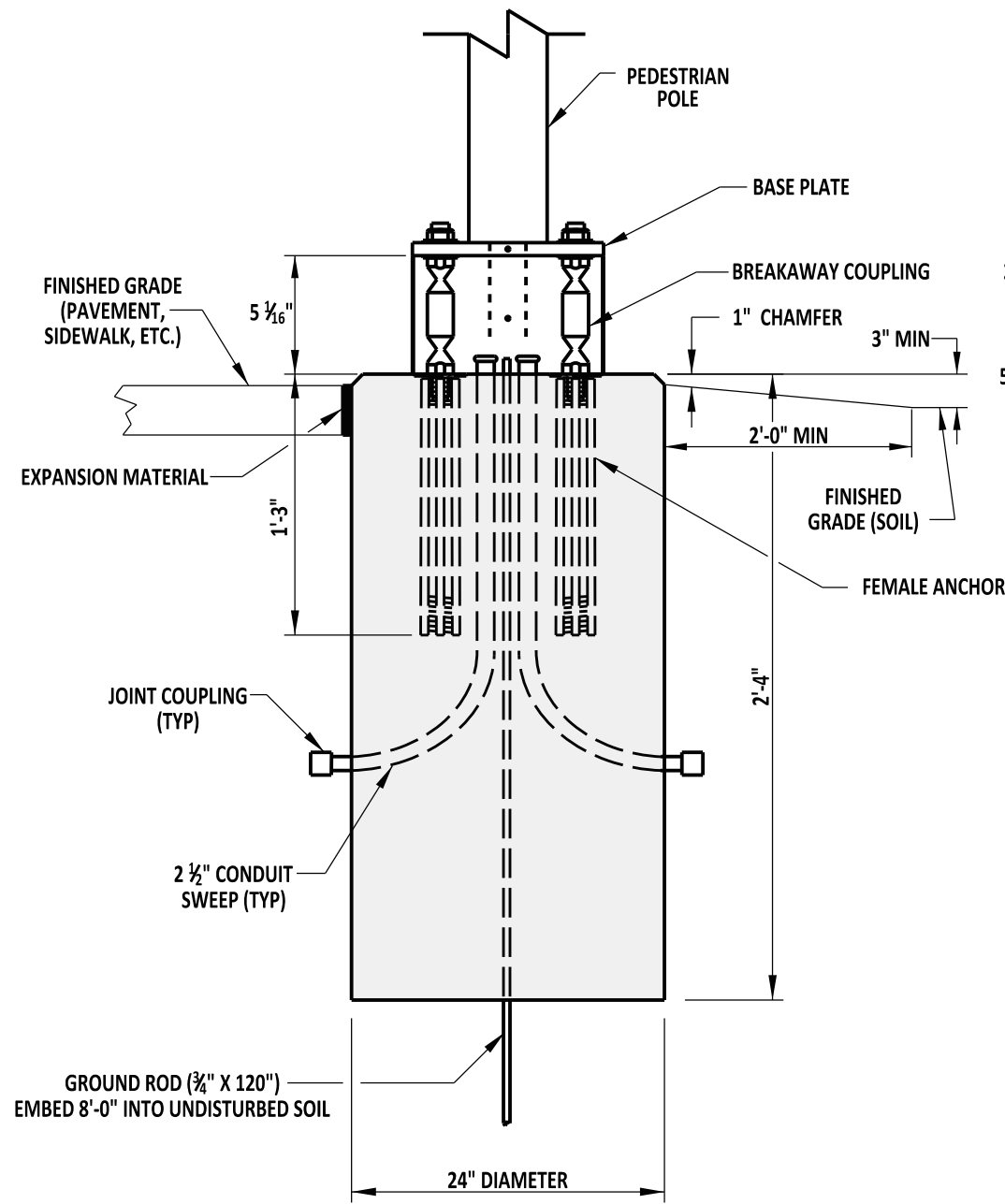
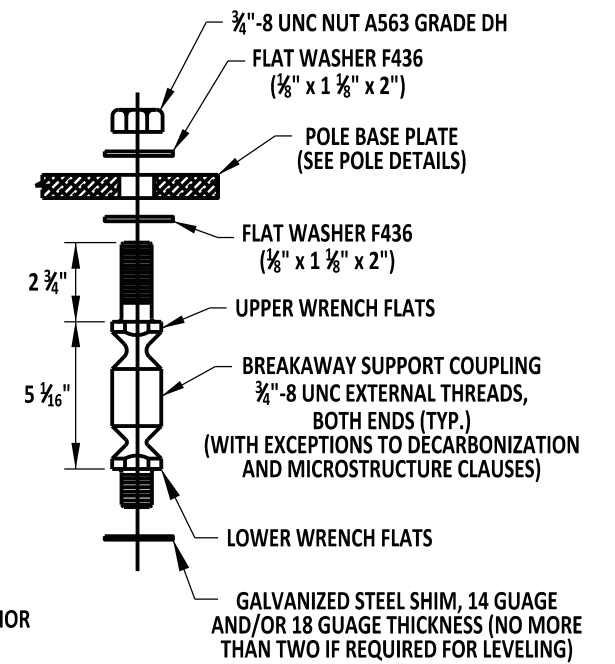


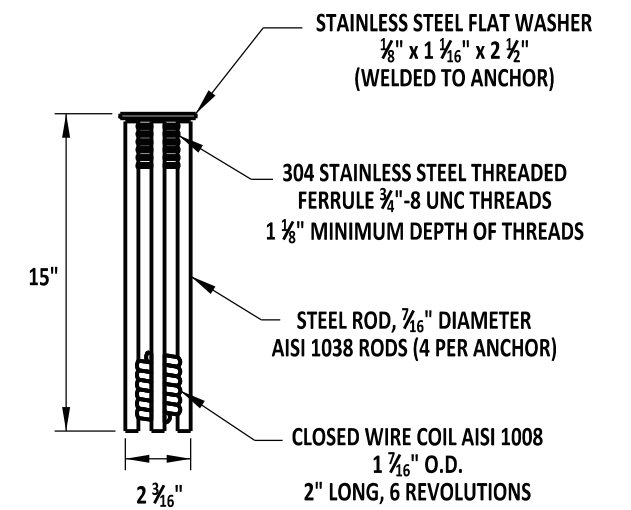
**TYPICAL SECTION (BASE 4A)**



**TYPICAL SECTION (BASE 4B)**



**BREAKAWAY COUPLING DETAIL**



**ANCHOR DETAIL**

**NOTE:**  
BOLT PATTERN TO BE PROVIDED BY DELDOT'S SIGNAL CONSTRUCTION INSPECTOR.

**NOTE:**  
BOLT PATTERN TO BE PROVIDED BY DELDOT'S SIGNAL CONSTRUCTION INSPECTOR.



**DELAWARE**  
**DEPARTMENT OF TRANSPORTATION**

<b>POLE BASES</b>		<b>APPROVED</b>	<b>SIGNATURE ON FILE</b> <small>CHIEF ENGINEER</small>	<b>02/14/2014</b> <small>DATE</small>
STANDARD NO.	T-5 (2013)	SHT. 4 OF 4	<b>SIGNATURE ON FILE</b> <small>DESIGN ENGINEER</small>	<b>01/14/2014</b> <small>DATE</small>