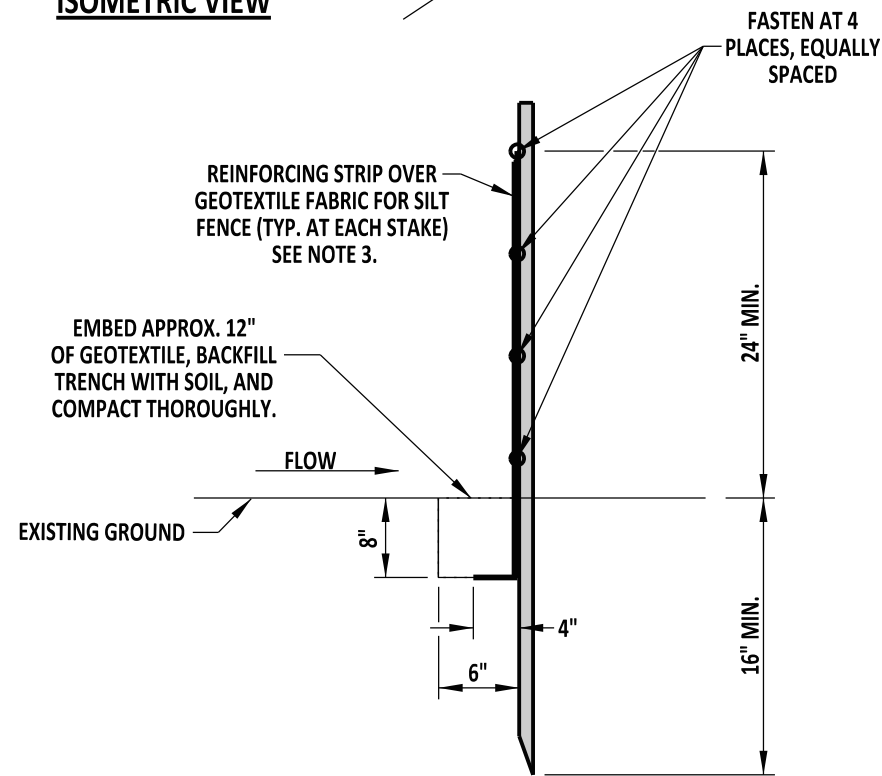
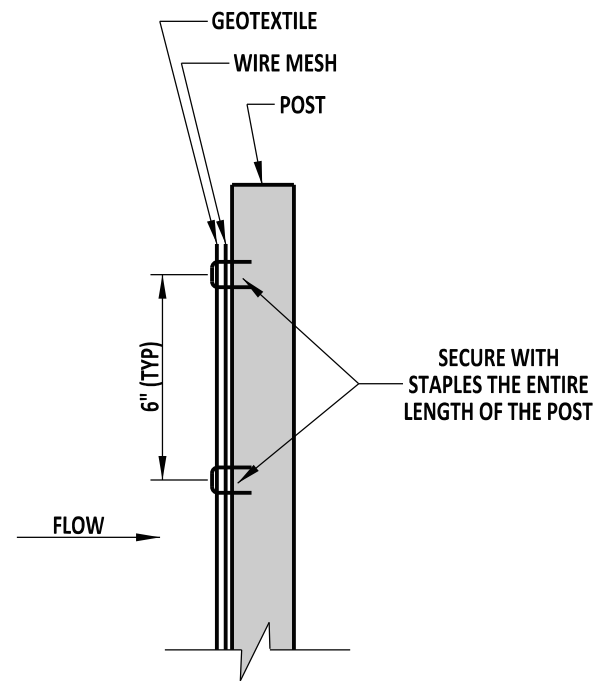


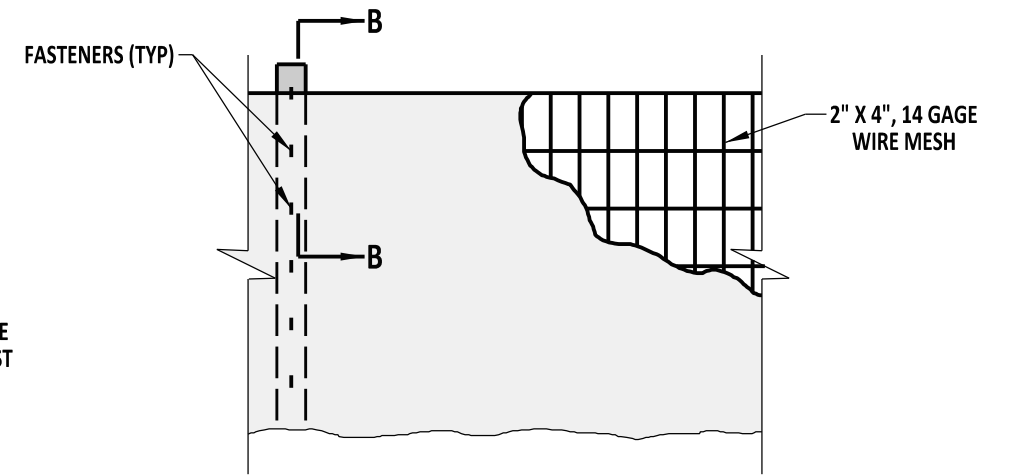
ISOMETRIC VIEW



SECTION A-A

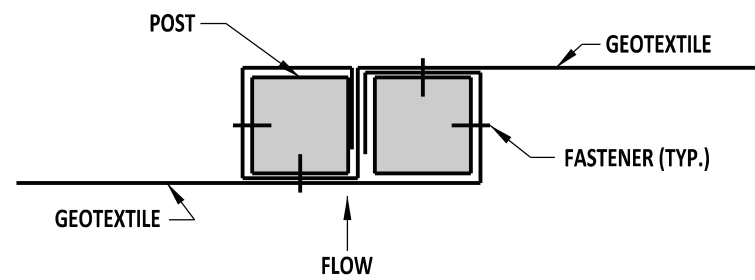


SECTION B-B

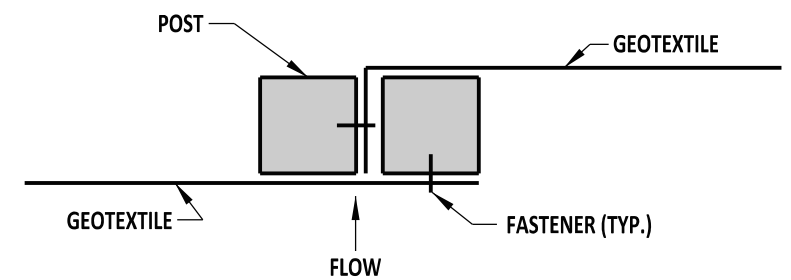


ELEVATION

**WIRE MESH DETAIL
(REINFORCED SILT FENCE ONLY)**



**SILT FENCE
CONNECTON DETAIL**



**REINFORCED SILT FENCE
CONNECTON DETAIL**

- NOTES:**
- 1). THIS DEVICE IS INTENDED TO CONTROL SHEET FLOW ONLY AND IS NOT TO BE USED IN AREAS OF CONCENTRATED FLOW.
 - 2). TURN ENDS OF SILT FENCE UPSLOPE TO CONTAIN RUNOFF.
 - 3). REINFORCING STRIP IS TO BE ONE COMPLETE STRIP COVERING ALL GEOTEXTILE FABRIC AT POST.



**DELAWARE
DEPARTMENT OF TRANSPORTATION**

STANDARD NO. E-2 (2014)		SILT FENCE SHT. 1 OF 1		APPROVED	SIGNATURE ON FILE <small>CHIEF ENGINEER</small>	12/30/2014 <small>DATE</small>
				RECOMMENDED	SIGNATURE ON FILE <small>DESIGN ENGINEER</small>	12/11/2014 <small>DATE</small>