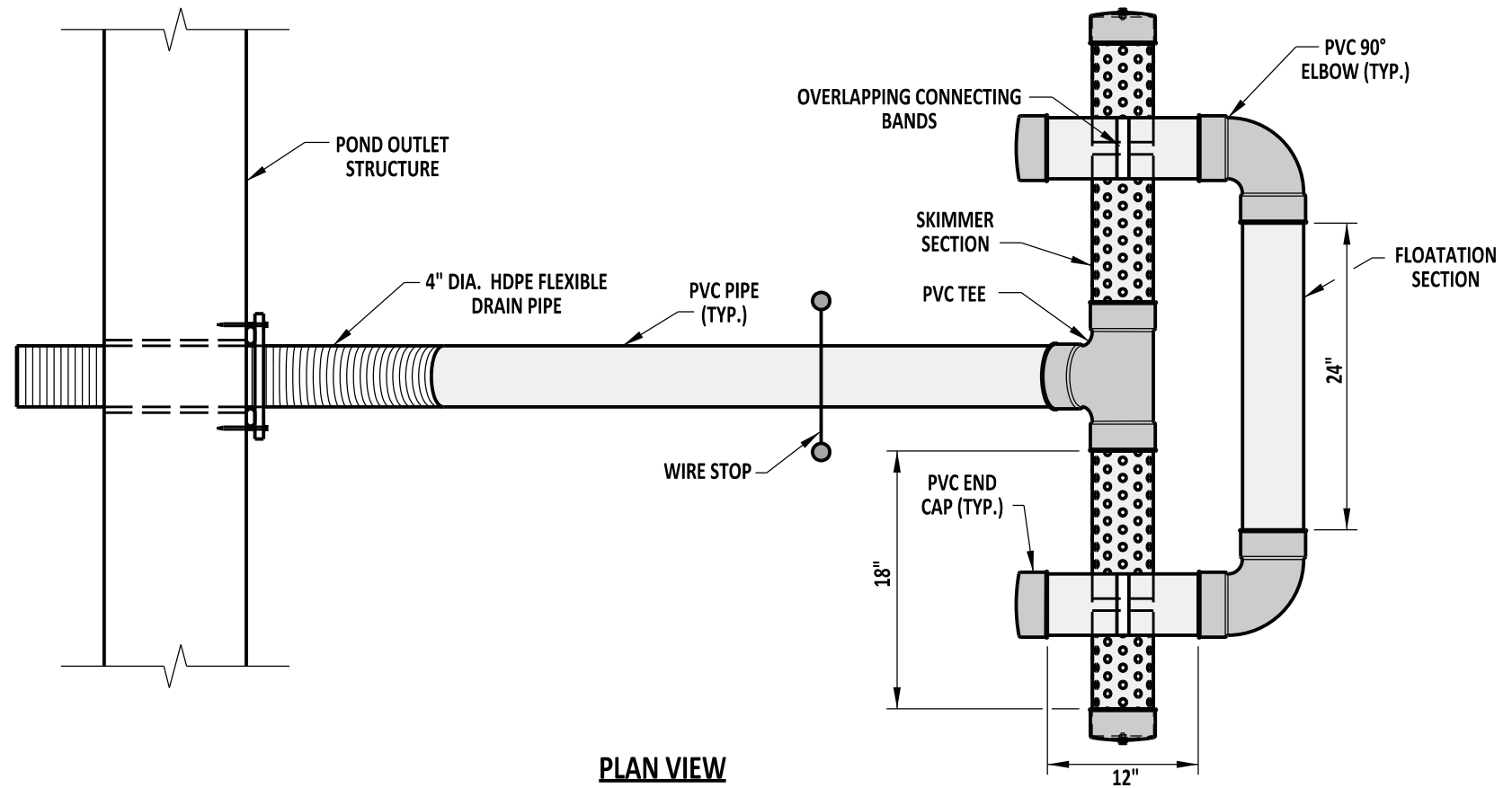


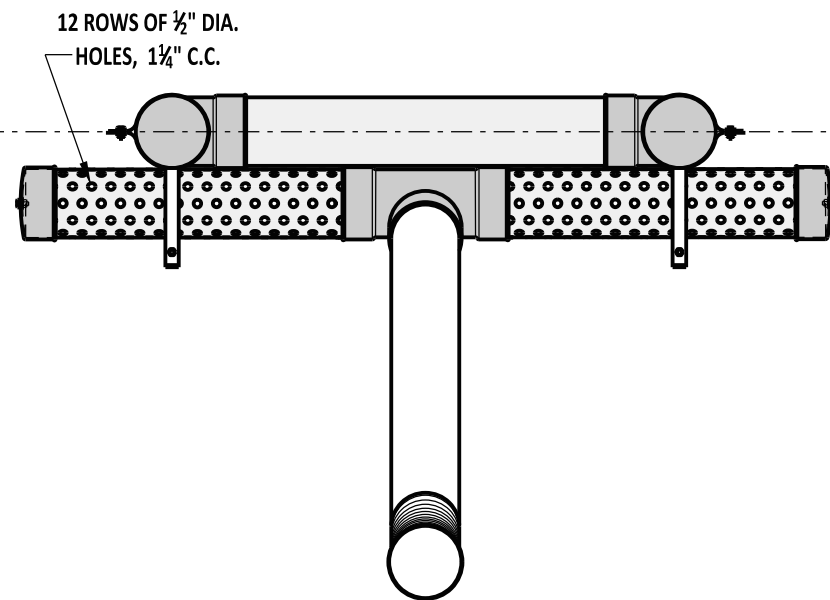
NOTES:

- 1). ALL PVC PIPES ARE 4" I.D., SCHEDULE 40.
- 2). SOLVENT WELD ALL JOINTS OF THE FLOTATION SECTION..
- 3). ATTACH A 4" HDPE FLEXIBLE DRAIN PIPE TO THE POND OUTLET STRUCTURE USING WATER TIGHT CONNECTIONS.

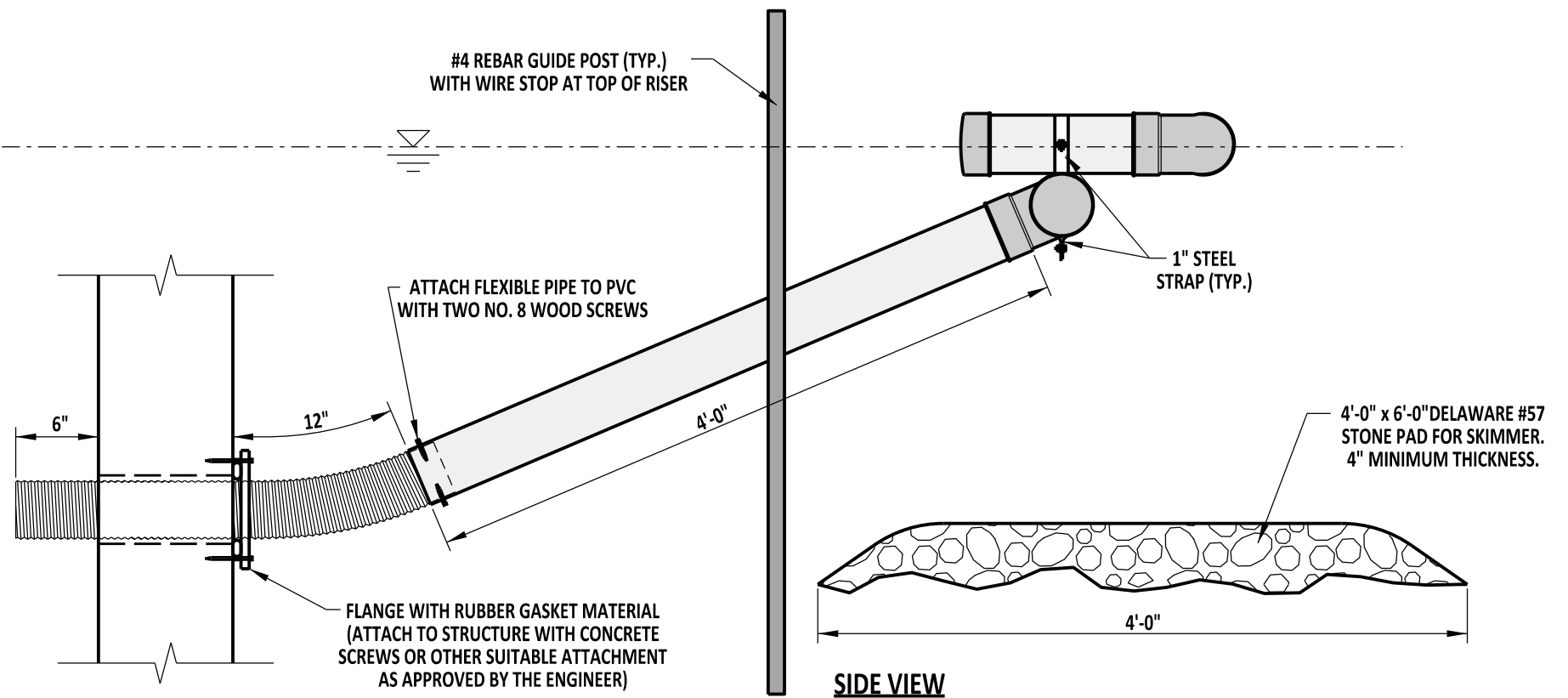
SCALE : NTS



PLAN VIEW



FRONT VIEW



SIDE VIEW



DELAWARE
DEPARTMENT OF TRANSPORTATION

SKIMMER DEWATERING DEVICE

STANDARD NO. E-8 (2014) SHT. 1 OF 1

APPROVED

SIGNATURE ON FILE
CHIEF ENGINEER

12/30/2014
DATE

RECOMMENDED

SIGNATURE ON FILE
DESIGN ENGINEER

12/11/2014
DATE