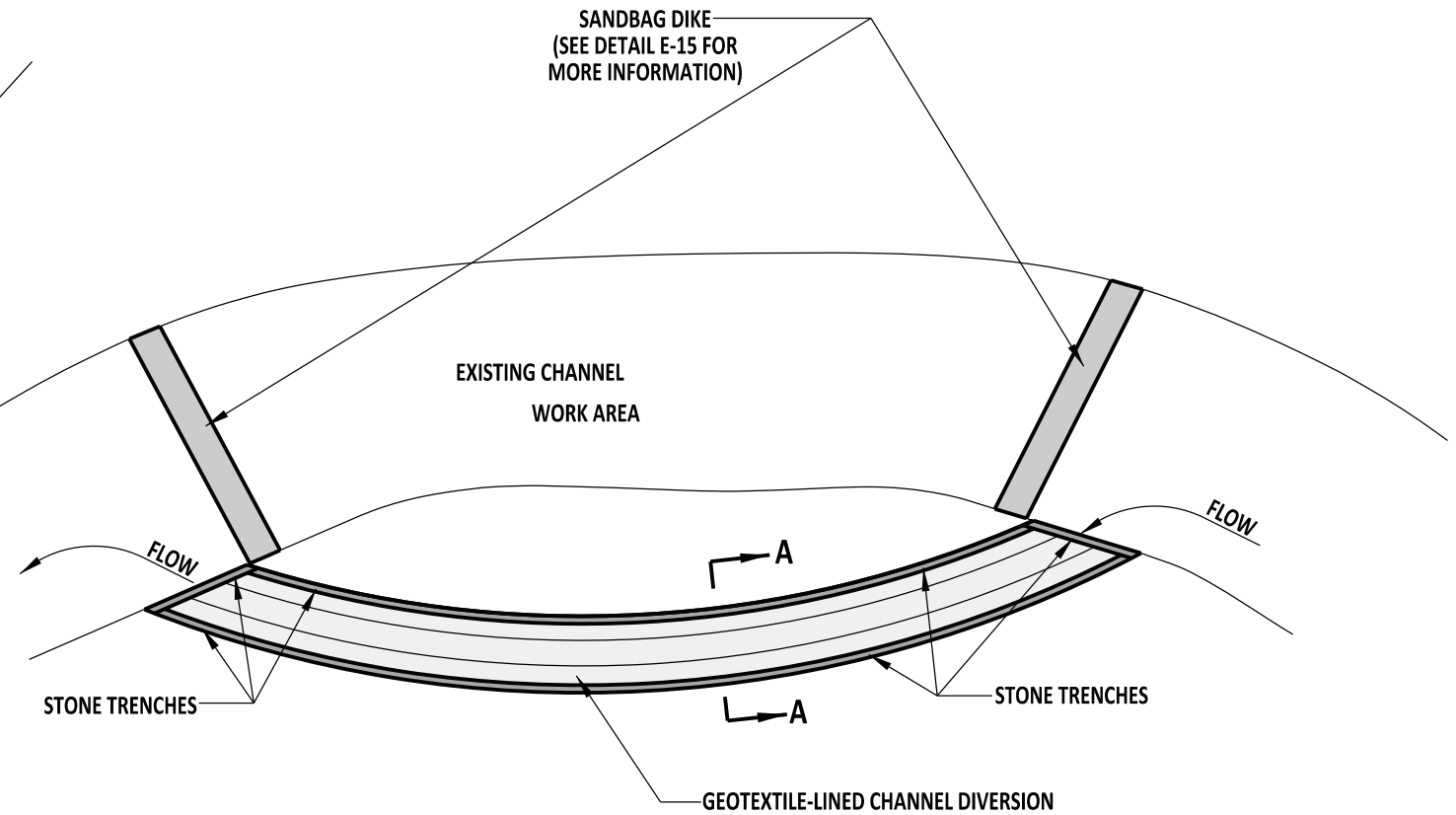
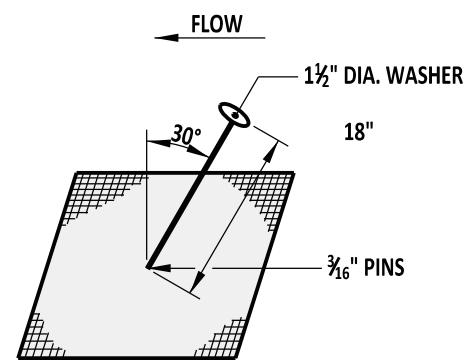


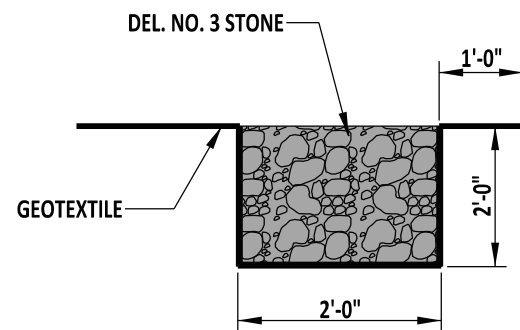
ISOMETRIC VIEW



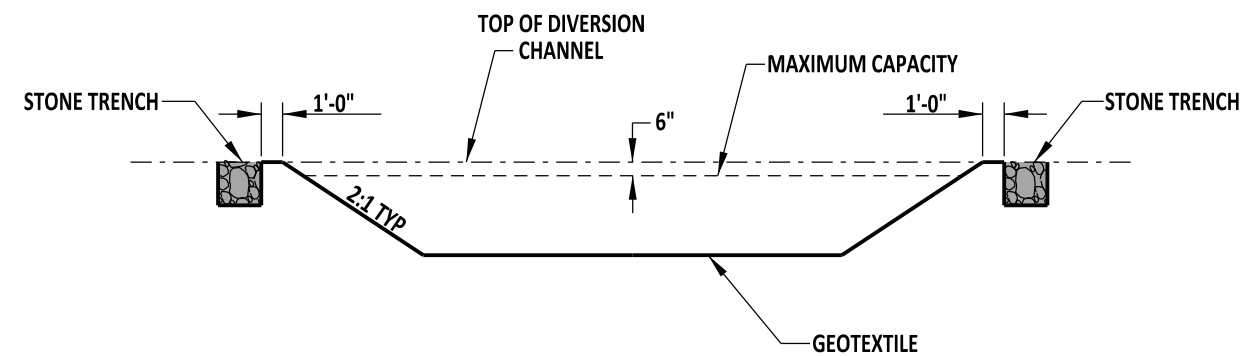
PLAN



FASTENING DETAIL



TRENCHING DETAIL



SECTION A-A

NOTE:
SEE PLANS FOR LOCATION, DIMENSIONS, GRADES, ETC.



DELAWARE
DEPARTMENT OF TRANSPORTATION

GEOTEXTILE-LINED CHANNEL DIVERSION

STANDARD NO. E-17 (2014)

SHT. 1 OF 1

APPROVED

SIGNATURE ON FILE
CHIEF ENGINEER 12/30/2014
DATE

RECOMMENDED

SIGNATURE ON FILE
DESIGN ENGINEER 12/11/2014
DATE