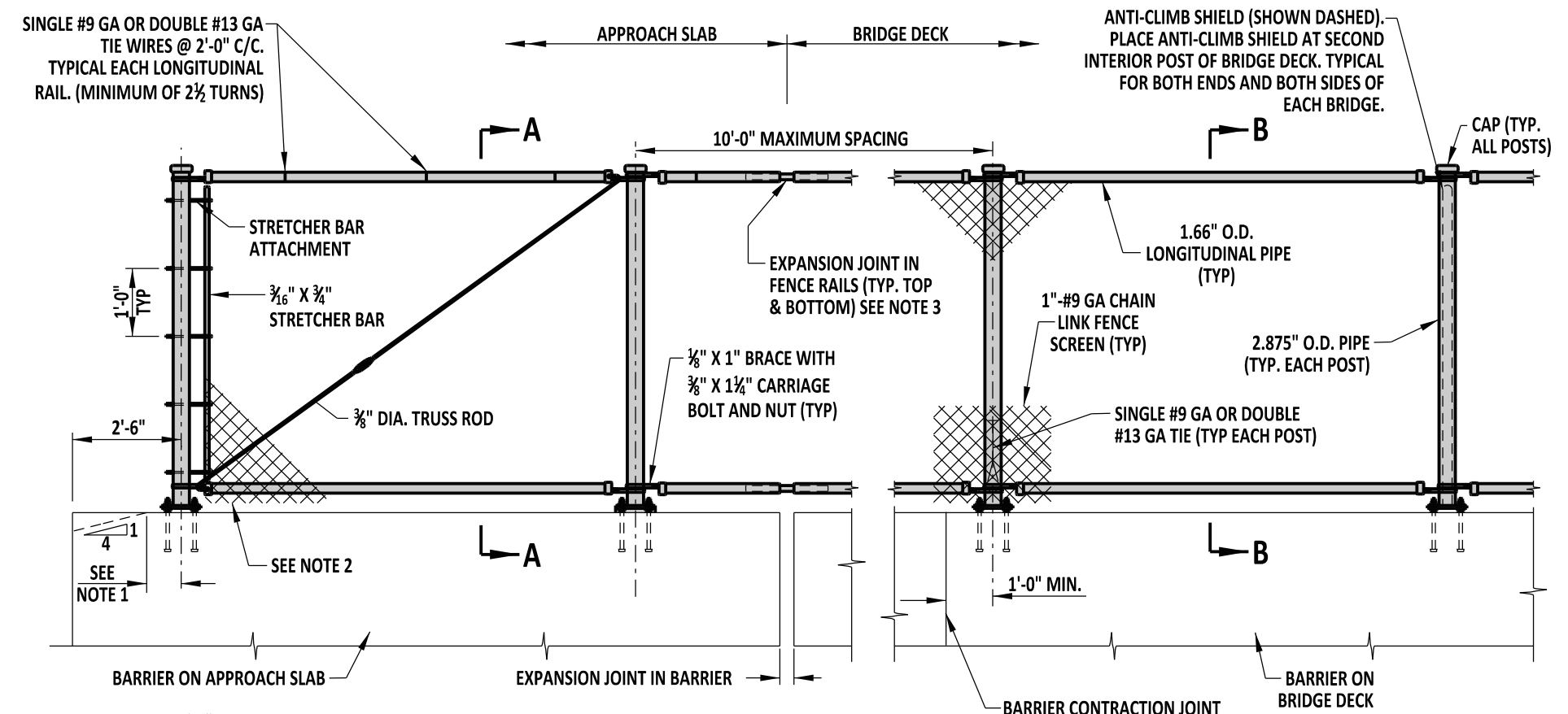
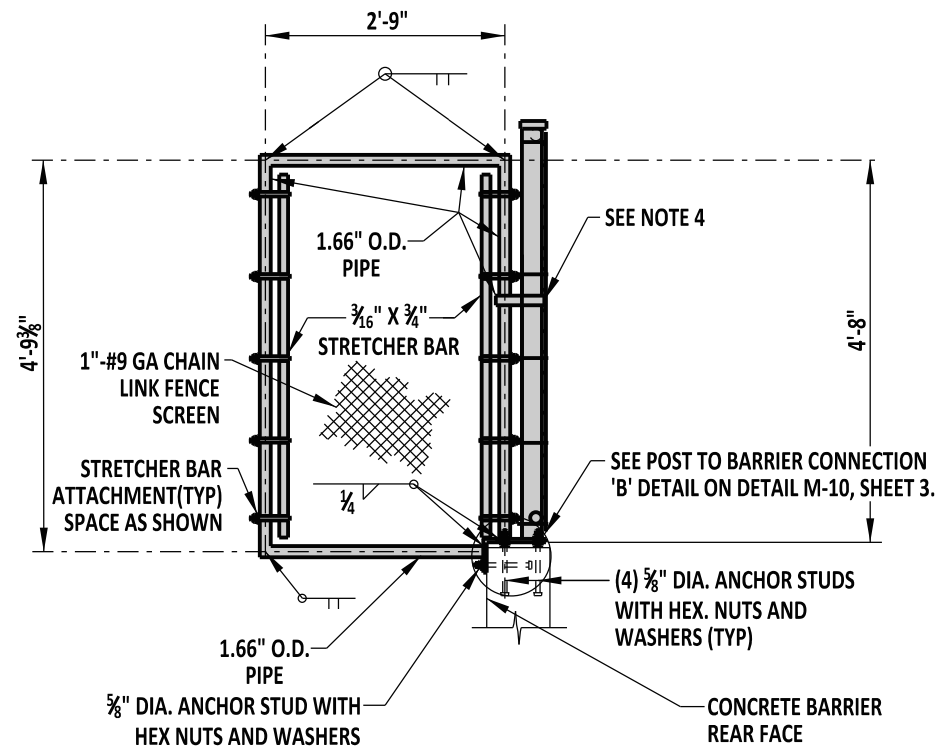


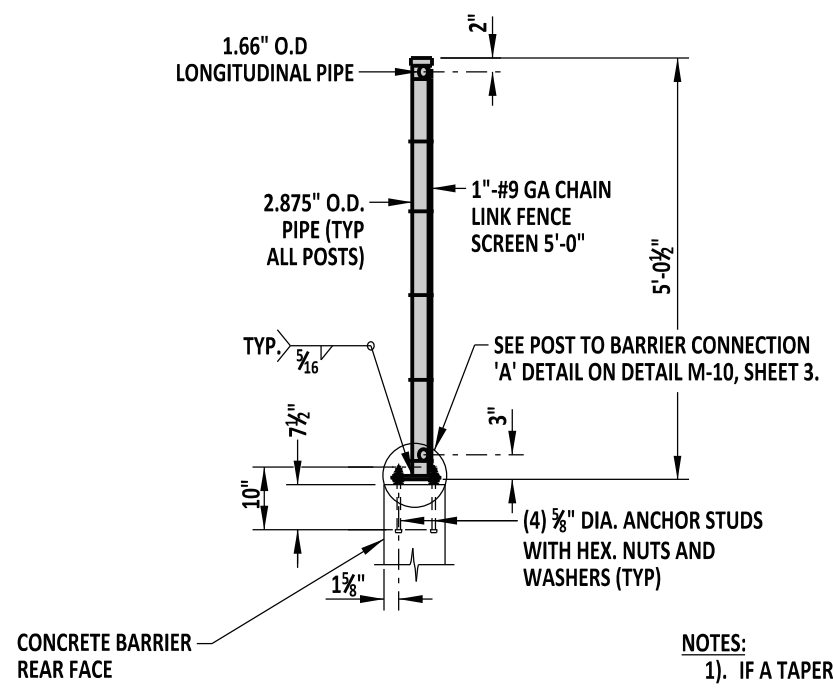
SCALE : NTS



**ELEVATION**



**SECTION B-B**



**SECTION A-A**

- NOTES:**
- 1). IF A TAPER EXISTS AT THE END OF THE BARRIER, PLACE POST 6" FROM THE TOP OF TAPER.
  - 2). MINIMUM 1/2" TO MAXIMUM 1" OF CLEARANCE BETWEEN TOP OF BARRIER AND BOTTOM OF CHAIN LINK FENCE SCREEN.
  - 3). LINE UP EXPANSION JOINTS IN TOP AND BOTTOM FENCE RAILS WITH EXPANSION JOINTS IN BARRIER.
  - 4). ATTACH ANTI-CLIMB SHIELD TO FENCE POST BY SMALL SECTION OF PIPE TO EACH VERTICAL POST WITH 1/4" FILLET WELD. SHAPE PIPE CONNECTOR TO HAVE FULL CONTACT WITH EACH POST.

**BRIDGE SAFETY FENCE, TYPE 1**



BRIDGE SAFETY FENCE			
STANDARD NO.	M-10 (2014)	SHT. 1	OF 3

APPROVED	SIGNATURE ON FILE <small>CHIEF ENGINEER</small>	12/30/2014 <small>DATE</small>
RECOMMENDED	SIGNATURE ON FILE <small>DESIGN ENGINEER</small>	12/11/2014 <small>DATE</small>