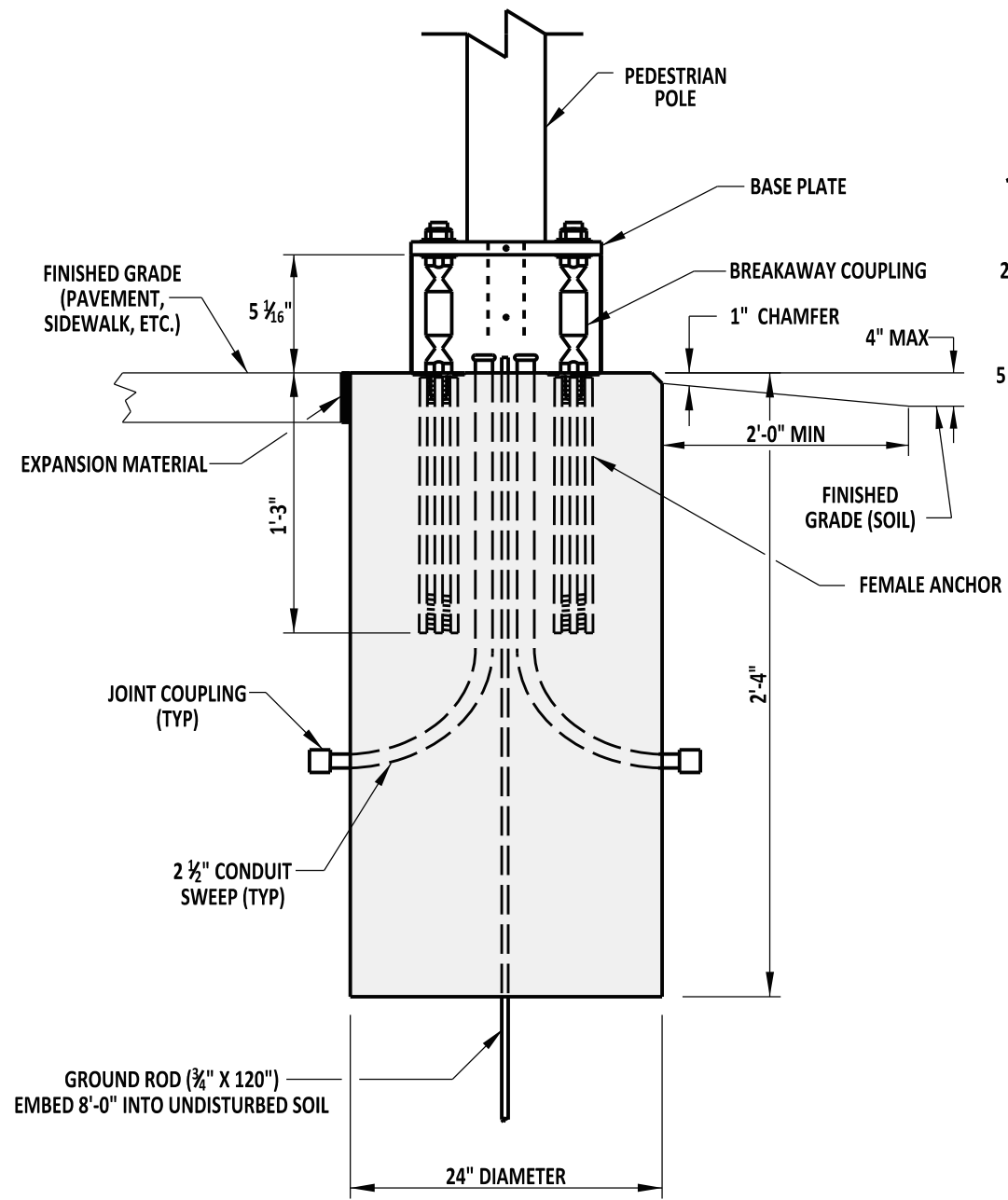
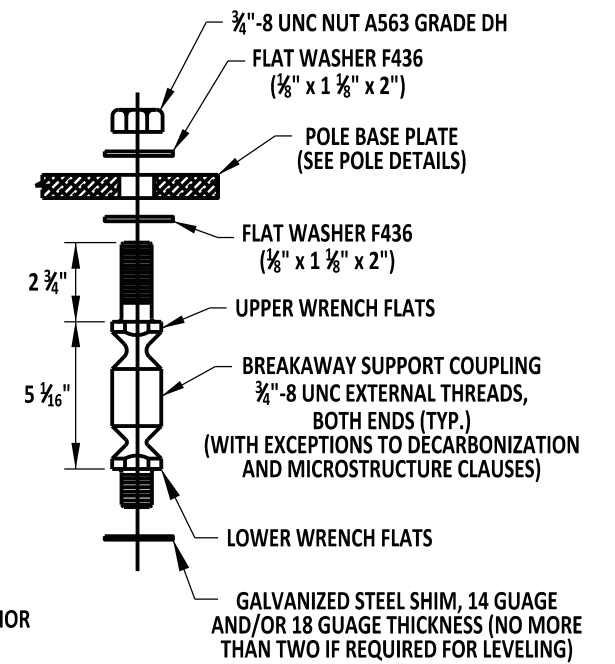


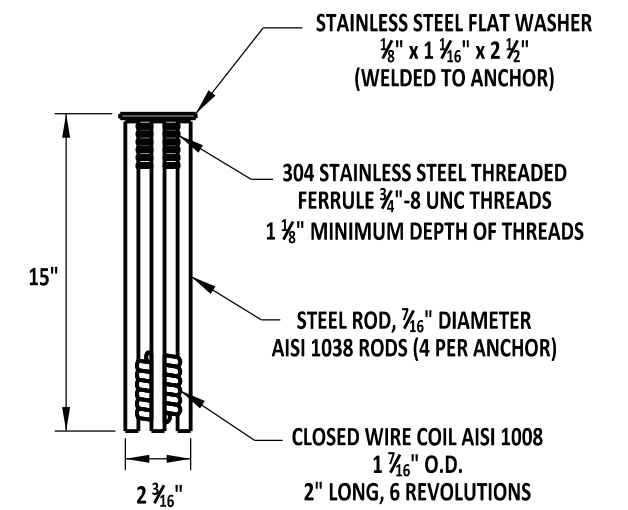
TYPICAL SECTION (BASE 4A)



TYPICAL SECTION (BASE 4B)



BREAKAWAY COUPLING DETAIL



ANCHOR DETAIL

NOTE:
BOLT PATTERN TO BE PROVIDED BY DELDOT'S SIGNAL CONSTRUCTION INSPECTOR.

NOTE:
BOLT PATTERN TO BE PROVIDED BY DELDOT'S SIGNAL CONSTRUCTION INSPECTOR.



DELAWARE
DEPARTMENT OF TRANSPORTATION

POLE BASES		APPROVED	SIGNATURE ON FILE <small>CHIEF ENGINEER</small>	12/30/2014 <small>DATE</small>
STANDARD NO.	T-5 (2014)	SHT. 4 OF 4	RECOMMENDED	SIGNATURE ON FILE <small>DESIGN ENGINEER</small>
				12/11/2014 <small>DATE</small>