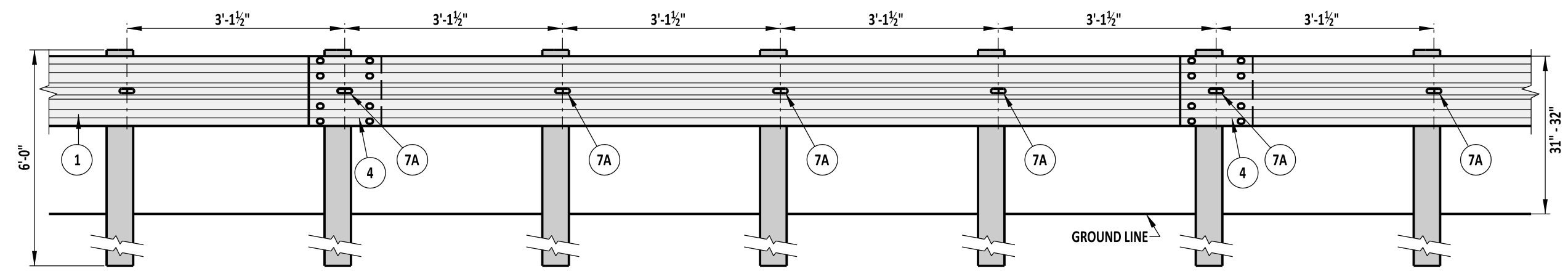
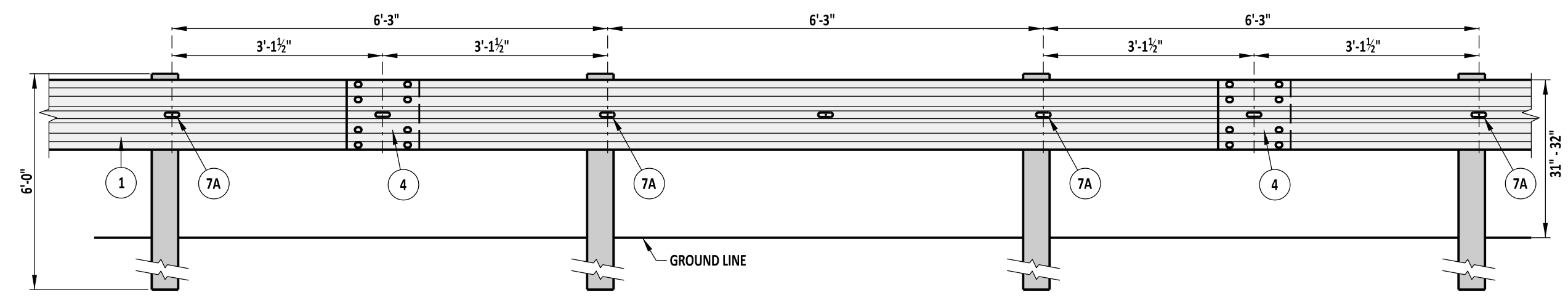


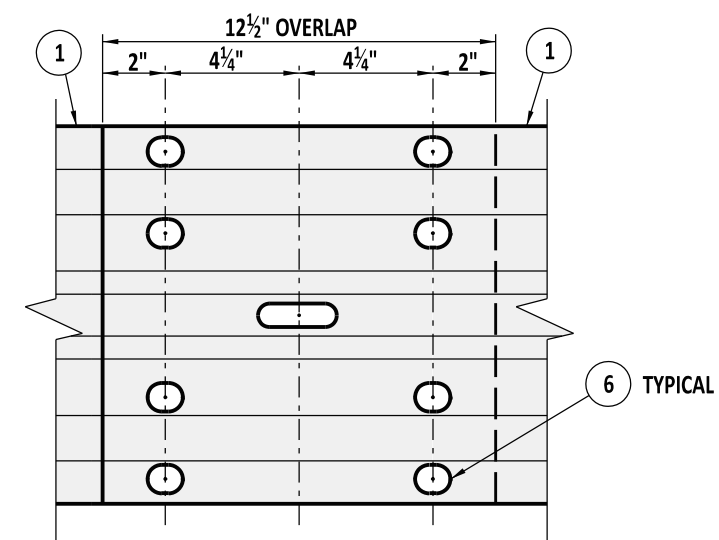
SCALE : NTS



TYPE 2-31



TYPE 1-31 OR 3-31



4 SPlice DETAIL

NOTE:
 1). OVERLAP W-BEAMS IN DIRECTION OF TRAVEL.
 2). SEE DETAIL B-L, SHEET 1 FOR MORE INFORMATION