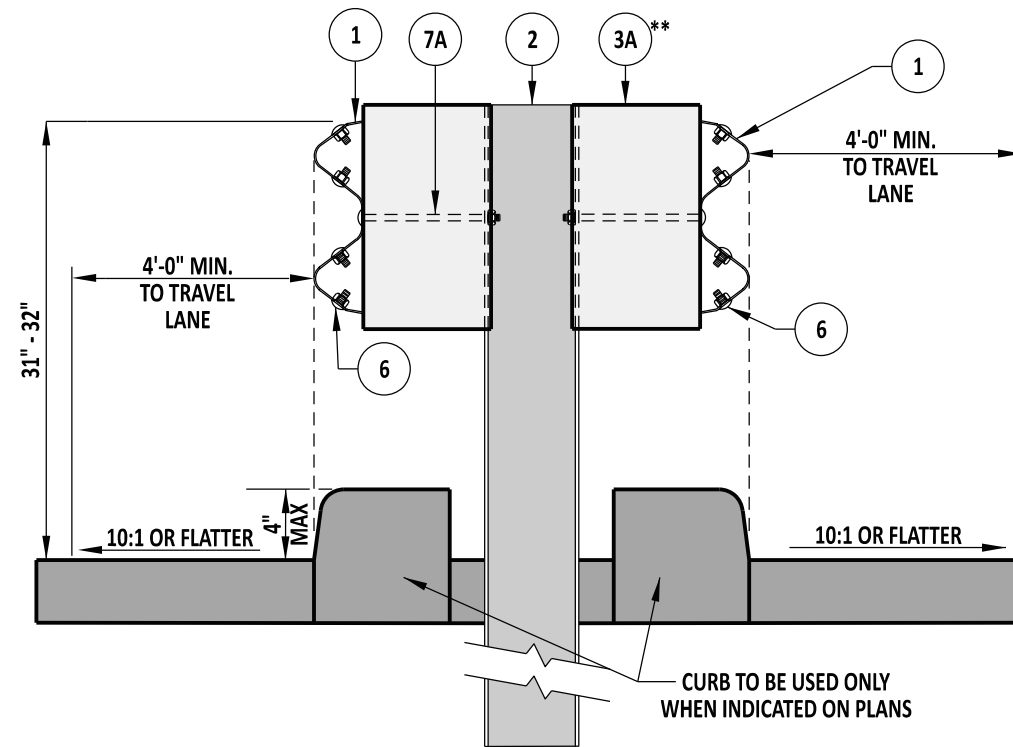
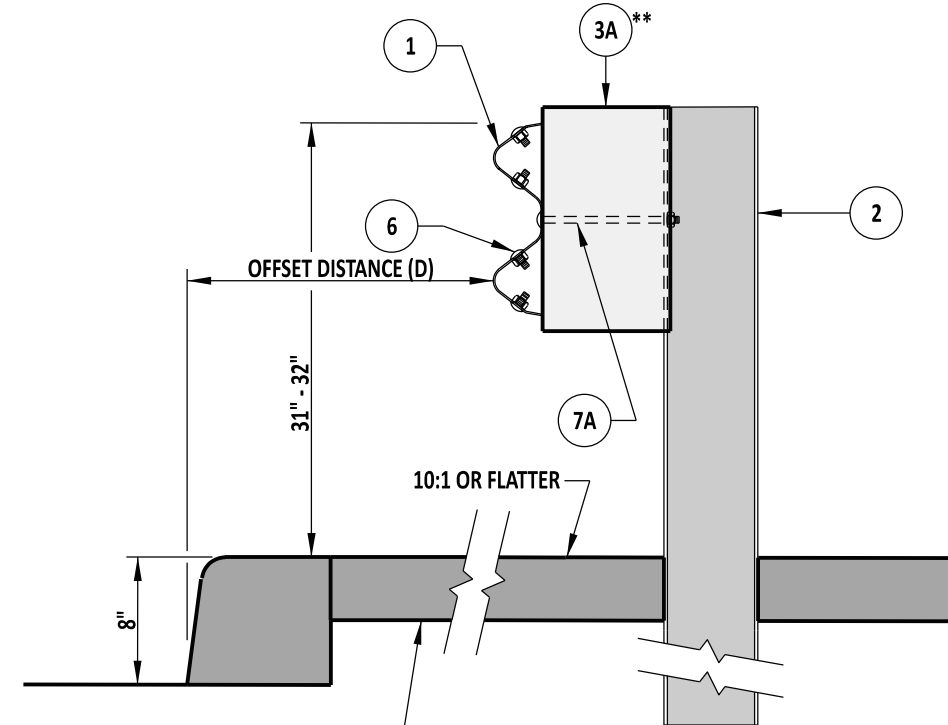


**GUARDRAIL SECTION**  
RURAL SHOULDER APPLICATION



**GUARDRAIL SECTION**  
MEDIAN APPLICATION



**GUARDRAIL SECTION**  
URBAN SHOULDER APPLICATION

TYPE	POST SPACING	CLEAR AREA BEHIND POST
1	6'-3"	3'-0" MIN
2	3'-1½"	2'-0" MIN

DESIGN SPEED	D
< 50 MPH	8'-0"
≥ 50 MPH	13'-0"

\*\* - SEE STANDARD SPECIFICATIONS CONCERNING THE USE OF ALTERNATIVE OFFSET BLOCK MATERIALS



DELAWARE  
DEPARTMENT OF TRANSPORTATION

TYPES 1-31, 2-31, AND 3-31 GUARDRAIL APPLICATIONS

STANDARD NO. B-1 (2017)

SHT. 3 OF 3

APPROVED

SIGNATURE ON FILE  
CHIEF ENGINEER

5/31/2017  
DATE

RECOMMENDED

SIGNATURE ON FILE  
DESIGN ENGINEER

5/18/2017  
DATE