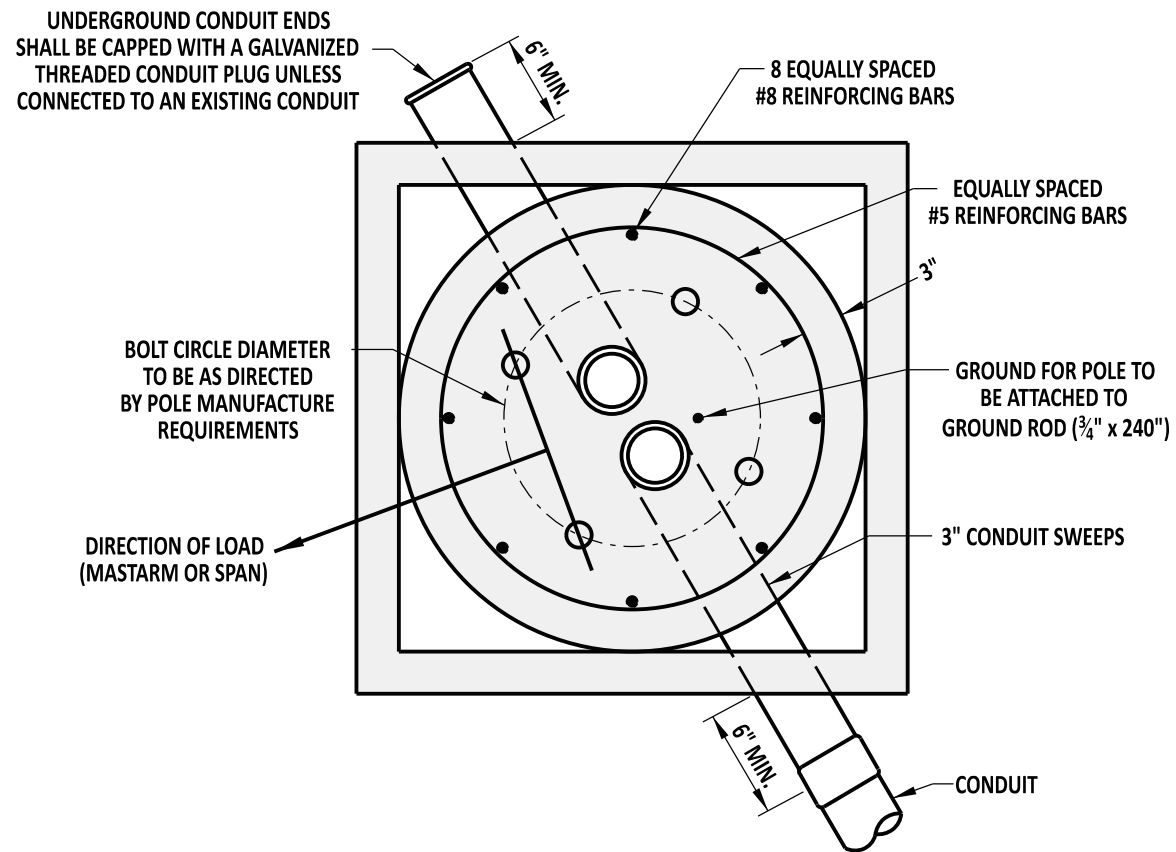


ROUND BASE



ROUND BASE w/ SQUARE FOUNDATION HEADER

NOTE: SQUARE FOUNDATION HEADER SHALL HAVE A 6" MINIMUM DEPTH.



DELAWARE
DEPARTMENT OF TRANSPORTATION

POLE BASES				APPROVED	SIGNATURE ON FILE <small>CHIEF ENGINEER</small>	5/31/2017 <small>DATE</small>
STANDARD NO.	T-5 (2017)	SHT.	1 OF 4	RECOMMENDED	SIGNATURE ON FILE <small>DESIGN ENGINEER</small>	5/18/2017 <small>DATE</small>