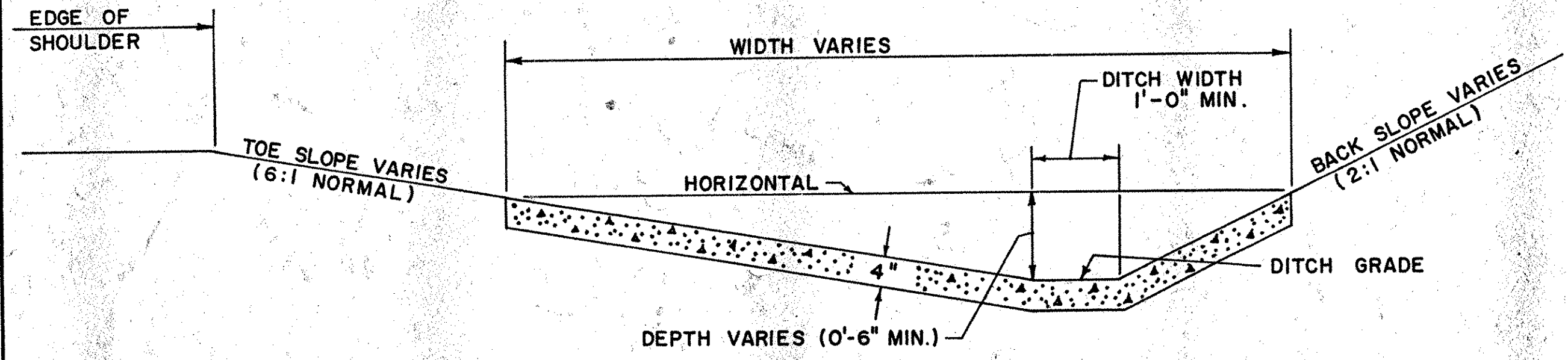
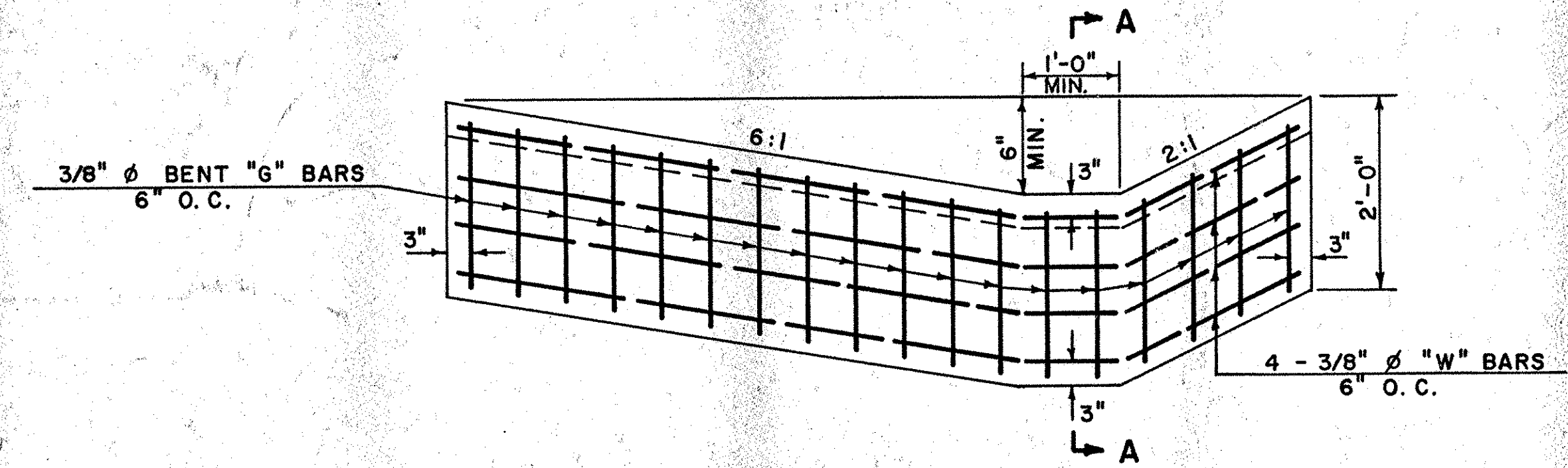


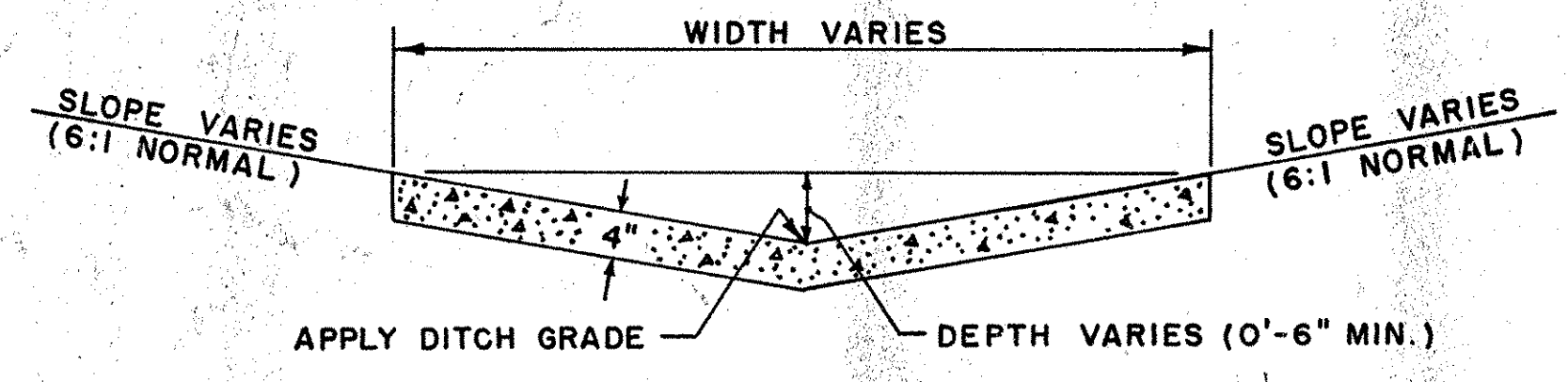
COUNTY	CONTRACT	P. & A. REG. NO.	STATE	FED. AID PROJECT NO.	SHEET NO.	TOTAL SHEETS
	2	DEL.				
STANDARD SHEET C-3						
GUTTER, CUT-OFF WALL, & PERFORATED UNDERDRAIN						
PREL. TRACING		DESIGN		CHKD.		
J.T.B.		E.L.W.		E.L.W.		
REVISIONS						
REVISED GENERAL NOTES: 5/11/76						
REVISED BELOW PIPE DIMENSION UNDER DRAIN DETAIL: 1-31-77 R.F.R.						
APPROVED					6-22-70	
DIRECTOR OF OPERATIONS					DATE	
DEPUTY DIRECTOR-CHIEF ENGINEER					6/22/70	DATE



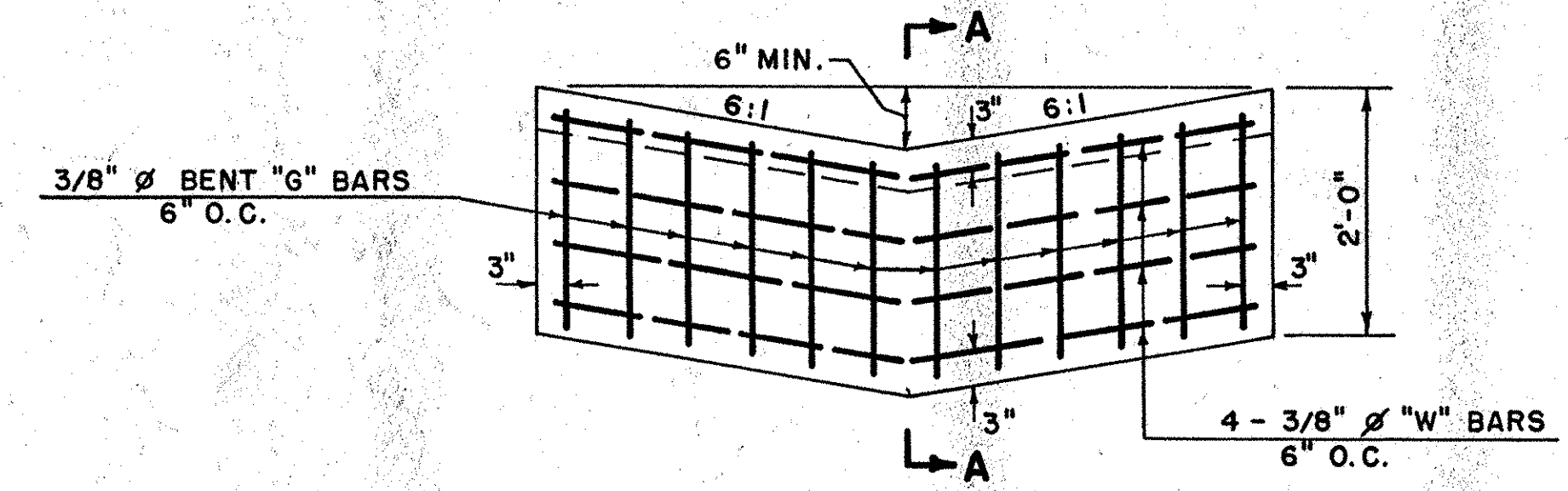
P.C.C. GUTTER - NORMAL SIDE DITCH
(DEPTH WILL BE 6" UNLESS OTHERWISE DIRECTED)



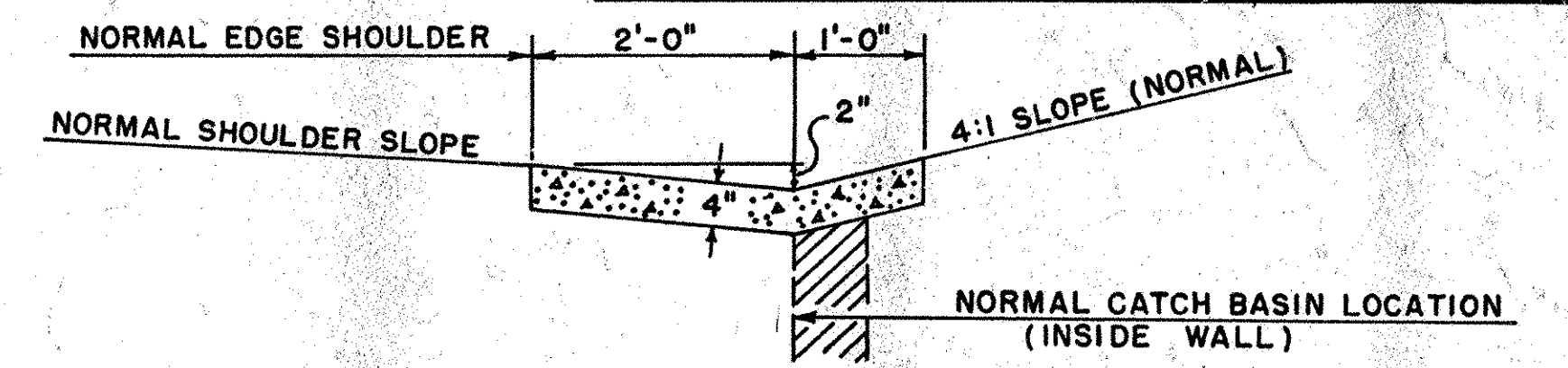
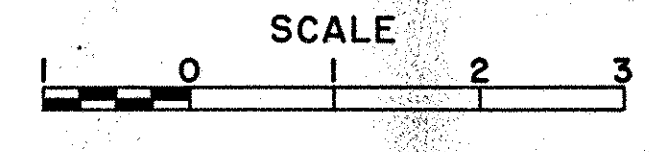
SECTION OF CUT-OFF WALL FOR ABOVE



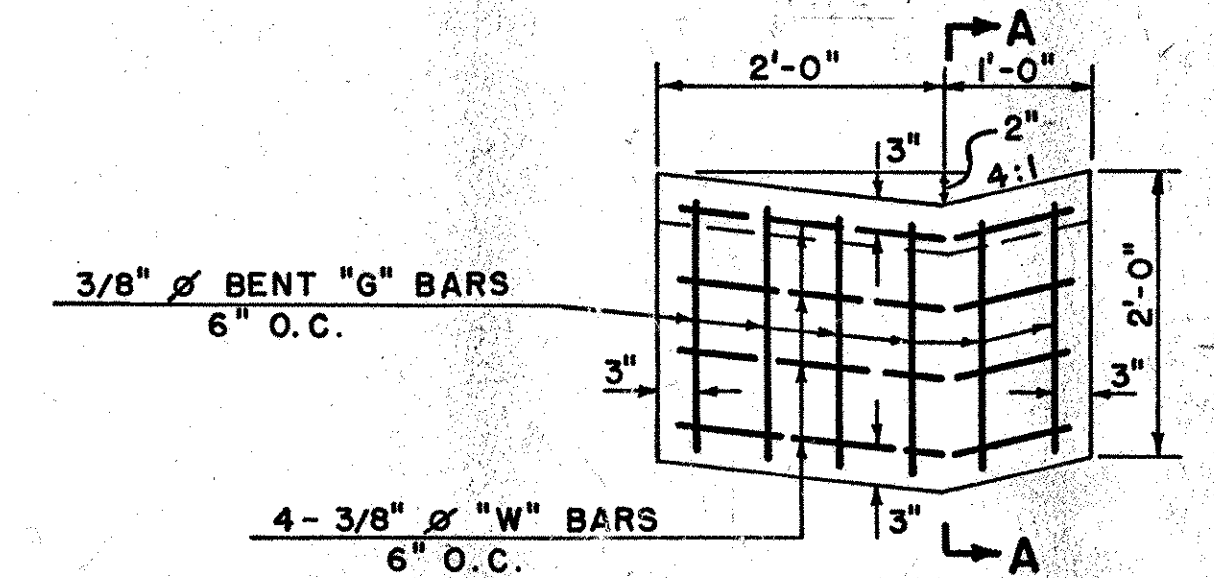
P.C.C. GUTTER - NORMAL MEDIAN STRIP
(DEPTH WILL BE 6" UNLESS OTHERWISE DIRECTED)



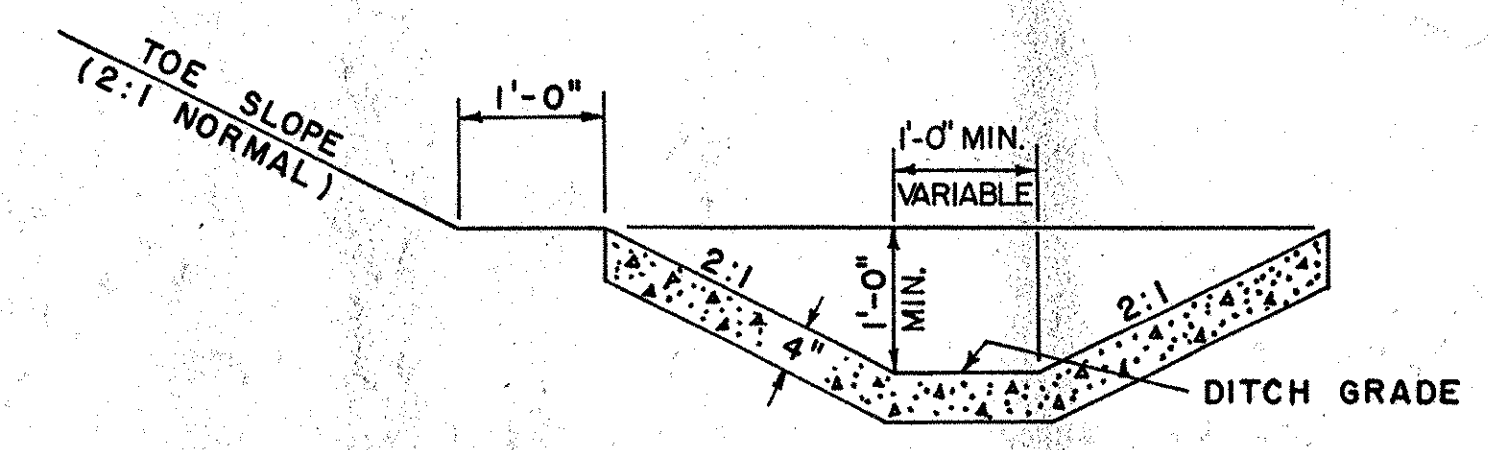
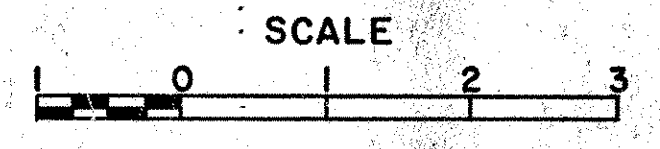
SECTION OF CUT-OFF WALL FOR ABOVE



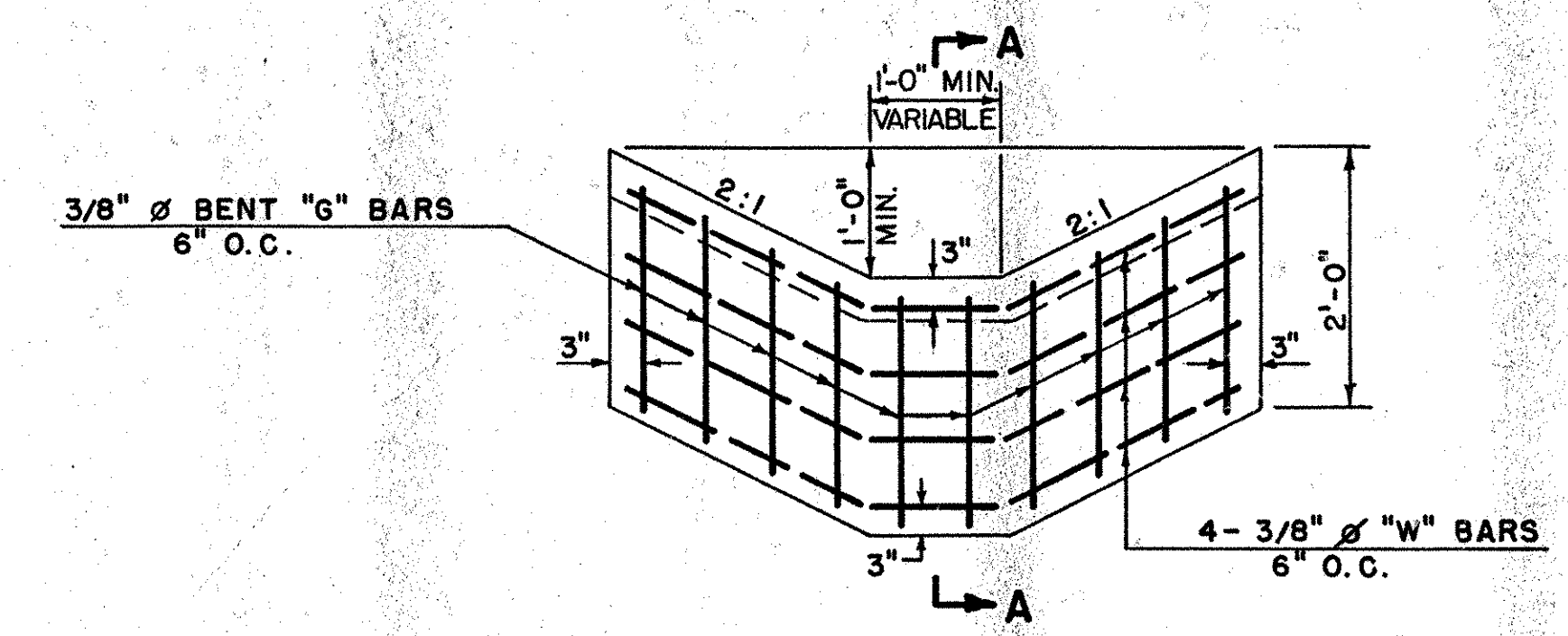
P.C.C. GUTTER - EDGE OF SHOULDER



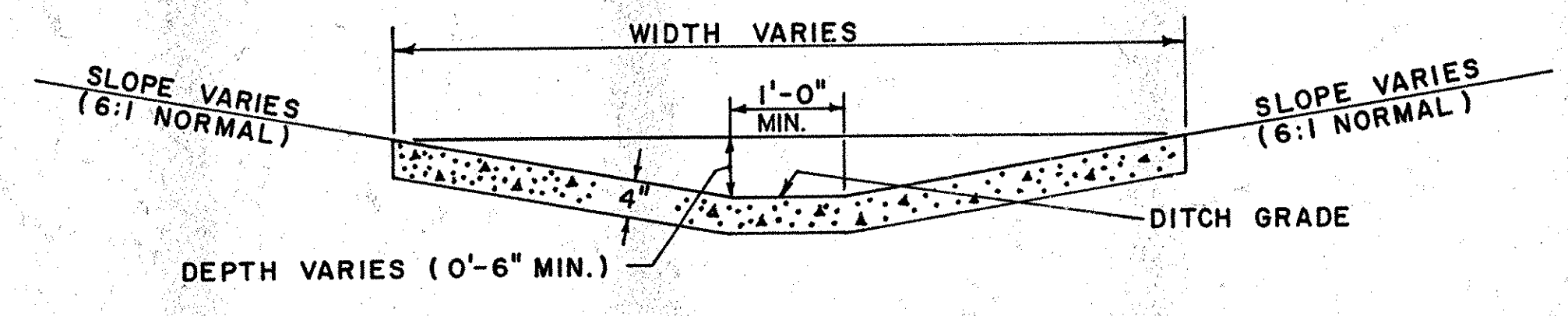
SECTION OF CUT-OFF WALL FOR ABOVE



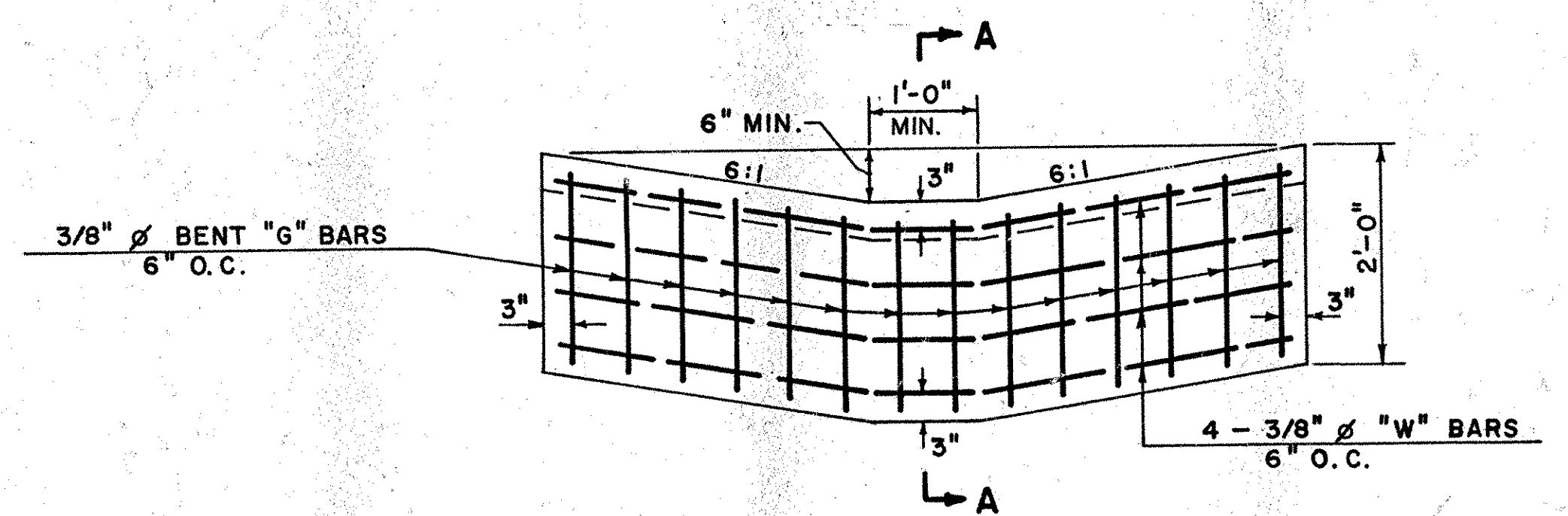
P.C.C. GUTTER - TOE OF SLOPE



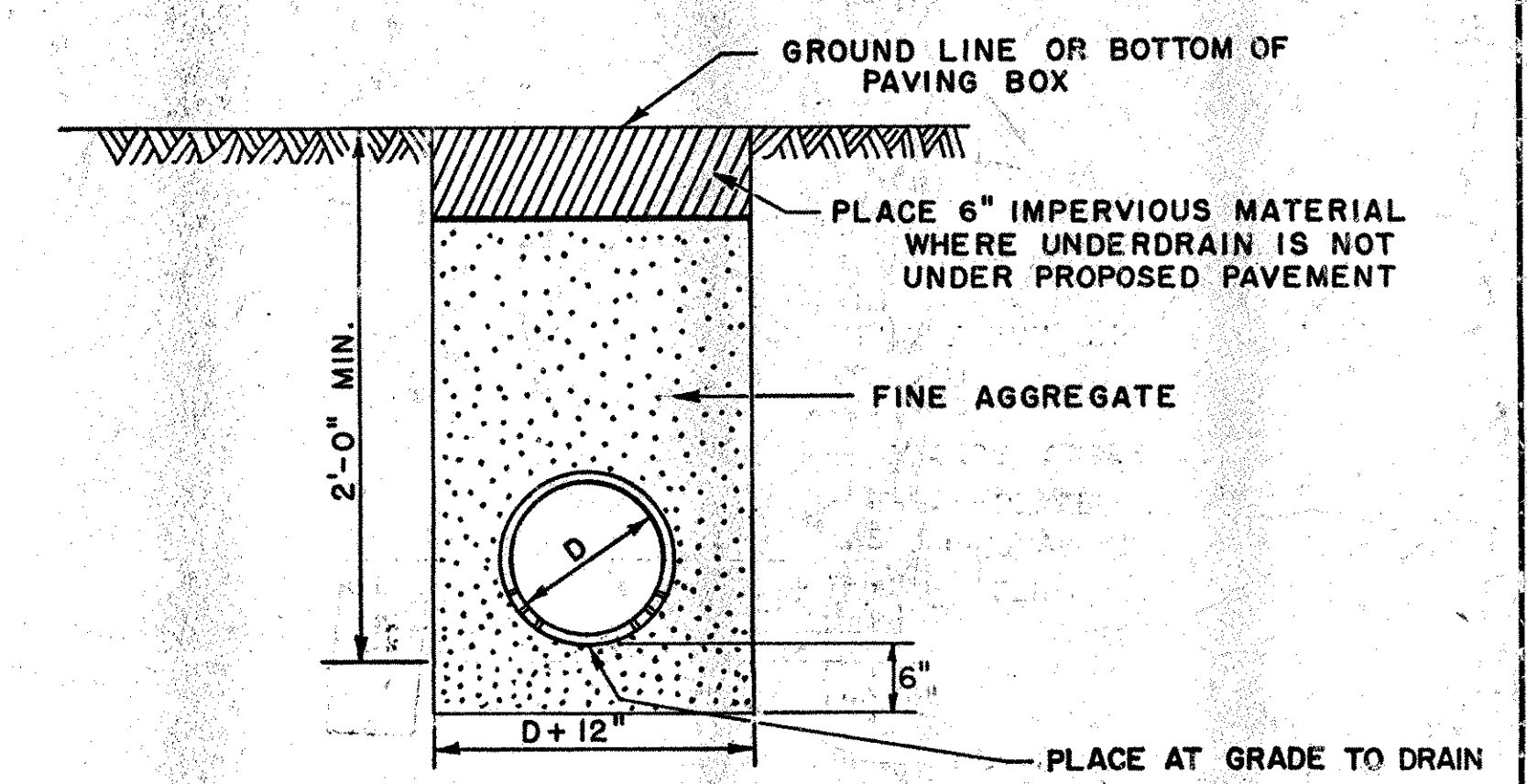
SECTION OF CUT-OFF WALL FOR ABOVE



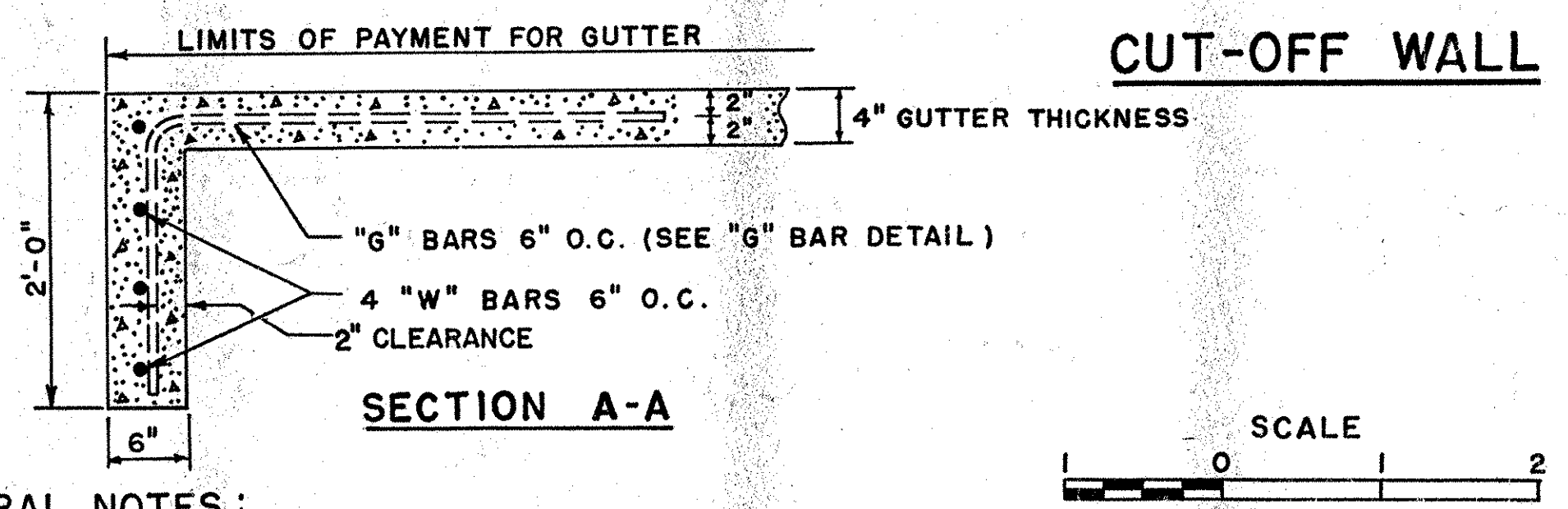
P.C.C. GUTTER - ALTERNATE MEDIAN STRIP
(DEPTH WILL BE 6" UNLESS OTHERWISE DIRECTED)



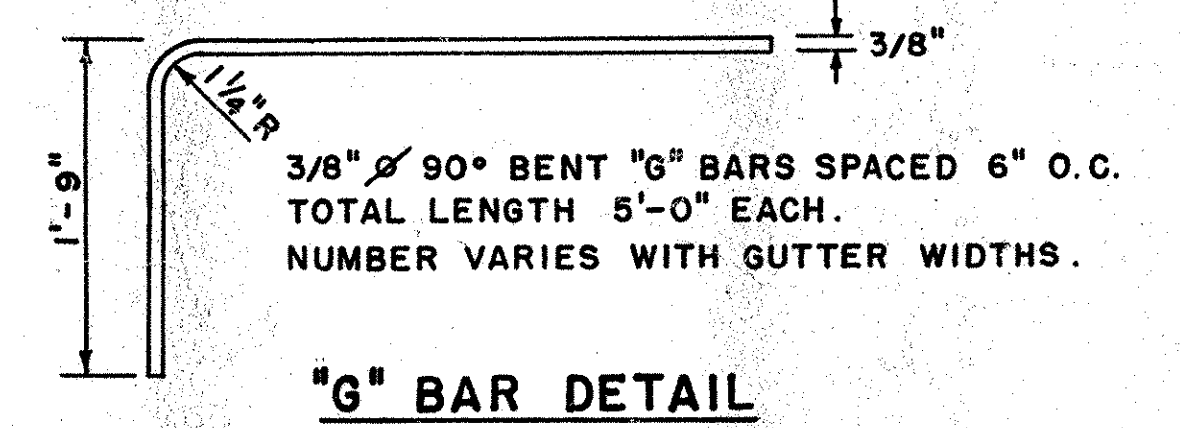
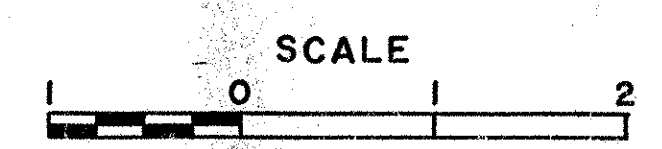
SECTION OF CUT-OFF WALL FOR ABOVE



PERFORATED UNDERDRAIN TRENCH DETAIL



GENERAL NOTES:
GENERAL PLAN OF CUT-OFF WALL IS TO BE ADAPTED TO ALL TYPES OF PORTLAND CEMENT CONCRETE GUTTER. CUT-OFF WALL IS TO BE PLACED AT BEGINNING AND END OF EACH INSTALLATION. LENGTH OF "W" BARS WILL VARY WITH THE WIDTH OF GUTTER. THE COST OF CUT-OFF WALL COMPLETE IN PLACE TO BE INCLUDED IN UNIT PRICE BID FOR GUTTER.



#6 BAR DETAIL