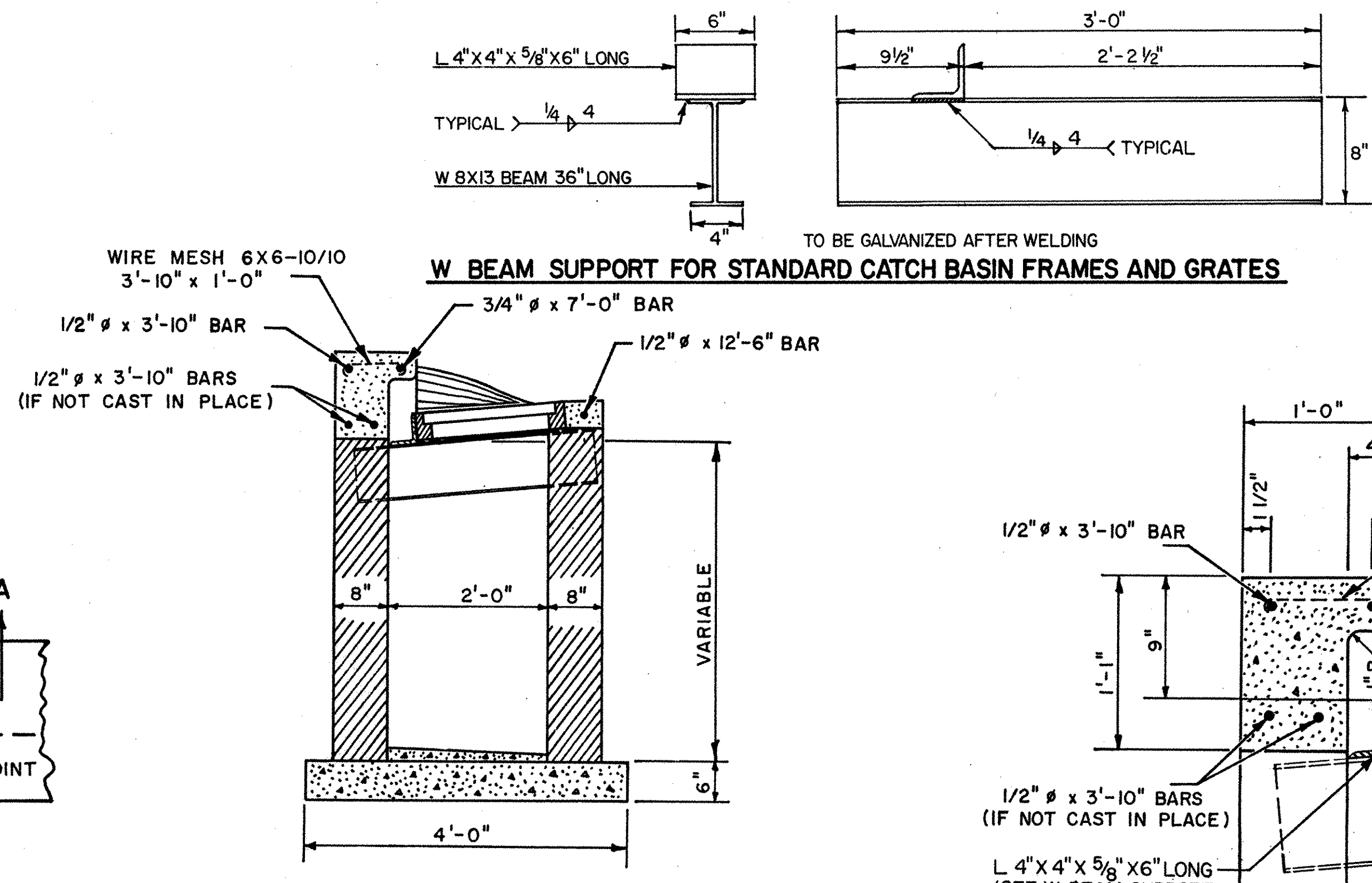
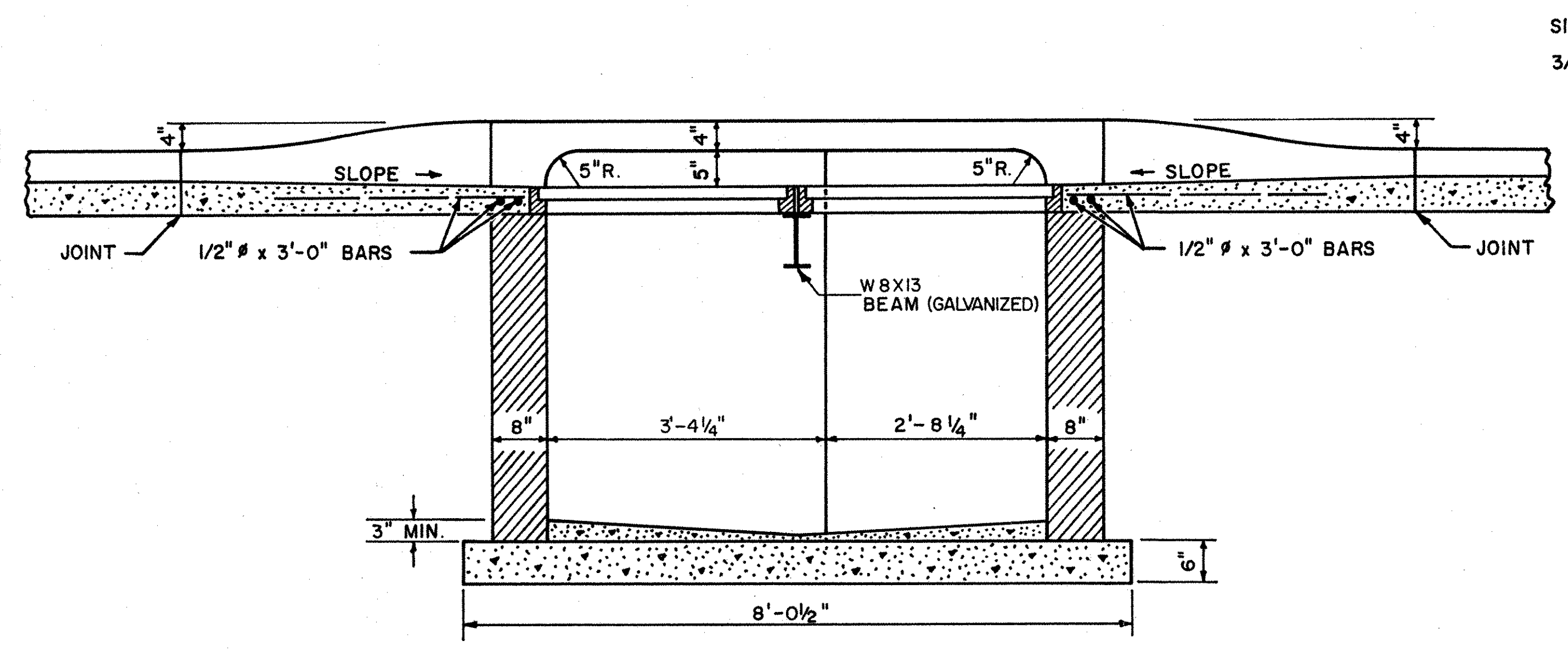


PLAN

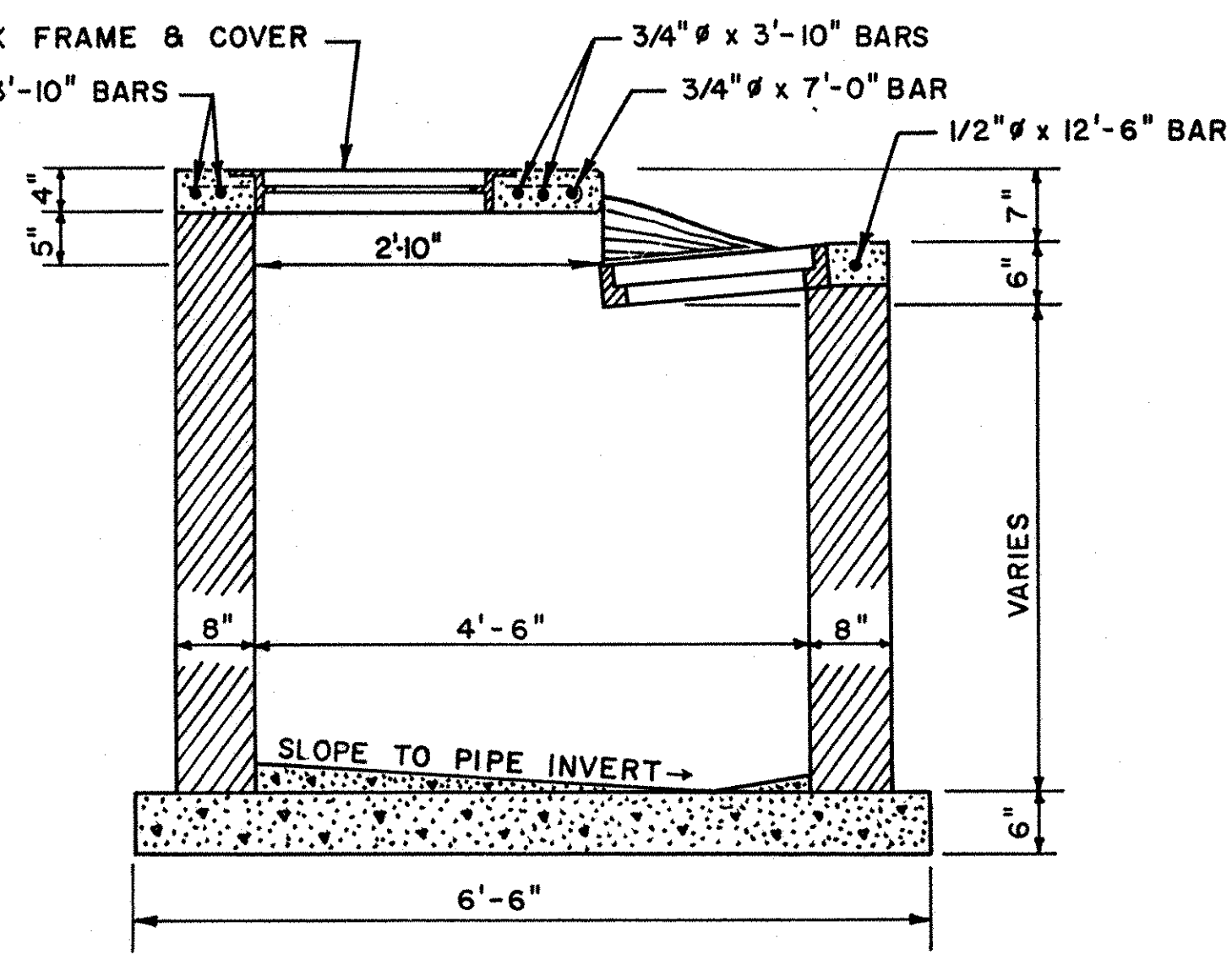


SECTION C-C

PART OF SECTION C-C



SECTION A-A



SECTION B-B

TABLE OF REINFORCEMENT			
SIZE	LENGTH	QUANTITY	TOTAL LENGTH
1/2" #	12'-6"	1	12'-6"
"	3'-10"	1	3'-10"
"	3'-3"	6	19'-6"
"	3'-0"	12	36'-0"
"	2'-9"	4	11'-0"
"	2'-4"	4	9'-4"
3/4" #	7'-0"	1	7'-0"
"	3'-10"	4	15'-4"
WIRE MESH 6x6-10/10	3'-10"x 1'-0"	2	7'-8"x 1'-0"

NOTE:  
BAR SCHEDULE FOR ESTIMATING PURPOSES ONLY.

NOTES:

- SLOPE CONCRETE FLOOR TO INVERT OF OUTLET PIPE.
- PLACE W 8x13 BEAM, 3'-0" LONG, GALVANIZED, AS SUPPORT FOR STANDARD CATCH BASIN FRAME AND GRATE. COST TO BE INCLUDED IN UNIT PRICE BID FOR STRUCTURE.
- PARGET BRICK OR BLOCK MASONRY WITH 1/2" OF PORTLAND CEMENT MORTAR.
- UPPER 12" OF STRUCTURE TO BE OF P.C.C. MASONRY.
- SEE STANDARD SHEET D-1 FOR FRAME AND GRATE and SIDEWALK FRAME and COVER
- CATCH BASIN FRAME AND GRATE MAY BE DEPRESSED 1/2" BELOW POSITION SHOWN, WHEN DIRECTED.
- CATCH BASINS MAY BE PRECAST. CONTRACTOR SHALL SUBMIT DETAILED PLANS SHOWING SECTIONS, JOINTS, REINFORCEMENT AND OTHER PERTINENT INFORMATION FOR APPROVAL.
- STEPS ARE TO BE PLACED IN ALL CATCH BASINS AND MANHOLES OVER 4' DEEP. SEE STANDARD D-1.
- COST OF STEPS TO BE INCLUDED IN COST OF CATCH BASIN.

DOUBLE SD-1A CATCH BASIN

