

COUNTY	CONTRACT	P. R. A. REG. NO.	STATE	FED. AID PROJECT NO.	SHEET NO.	TOTAL SHEETS
		2	DEL.			

STANDARD SHEET D-11-8
CATCH BASINS S.D.-1 & S.D.-2A

PREL. TRACING J. T. B. DESIGN E. L. W. CHKD. Y. N. C.

REVISIONS

- DELETED S.D.-2 CATCH BASIN - 7/21/70 - J.T.B.
- DELETED WEEP HOLE IN S.D.-1 CATCH BASIN - 9/8/70 - J.T.B.
- 3/3/71 NOMENCLATURE CHANGES FOR A.I.S.C. SPEC. - D.M.E.
- 10/25/74, NOTE REFERING TO STANDARD SHEET D-1, R.T.C.
- 12/2/74, STANDARDIZED DIMENSIONS, ADDED FRAMES & GRATES NOTE & REMOVED S.D.-2A RESTRICTION NOTE - R.F.R.
- 5/11/76, CORRECTED PAYMENT LIMIT DIMENSIONS - R.F.R.
- 1/23/77, COVER BEAM DETAIL, REV. ANGLE DIMENSIONS - R.F.R.

APPROVED *[Signature]* 5/27/76 DATE
DIRECTOR OF OPERATIONS
[Signature] 6/22/76 DATE
DEPUTY DIRECTOR-CHIEF ENGINEER

NOTE:
SEE STANDARD SHEET D-1 FOR FRAME and GRATE. APPLIES TO BOTH CATCH BASINS
CATCH BASIN FRAMES AND GRATES MAY BE DEPRESSED 1/2" BELOW POSITION SHOWN, WHEN DIRECTED.
CATCH BASINS MAY BE PRECAST. CONTRACTOR SHALL SUBMIT DETAILED PLANS SHOWING SECTIONS, JOINTS, REINFORCEMENT AND OTHER PERTINENT INFORMATION FOR APPROVAL
STEPS ARE TO BE PLACED IN ALL CATCH BASINS AND MANHOLES OVER 4' DEEP. SEE STANDARD SHEET D-1. COST OF STEPS TO BE INCLUDED IN COST OF CATCH BASIN.
USE STANDARD C. B. FRAME & GRATE.
PLACE JOINT AT POINTS WHERE CATCH BASIN GUTTER BECOMES NORMAL GUTTER.
UPPER 12" OF STRUCTURE TO BE OF R.C.C. MASONRY.
TARGET BRICK OR BLOCK MASONRY WITH 1/2" OF PORTLAND CEMENT MORTAR.

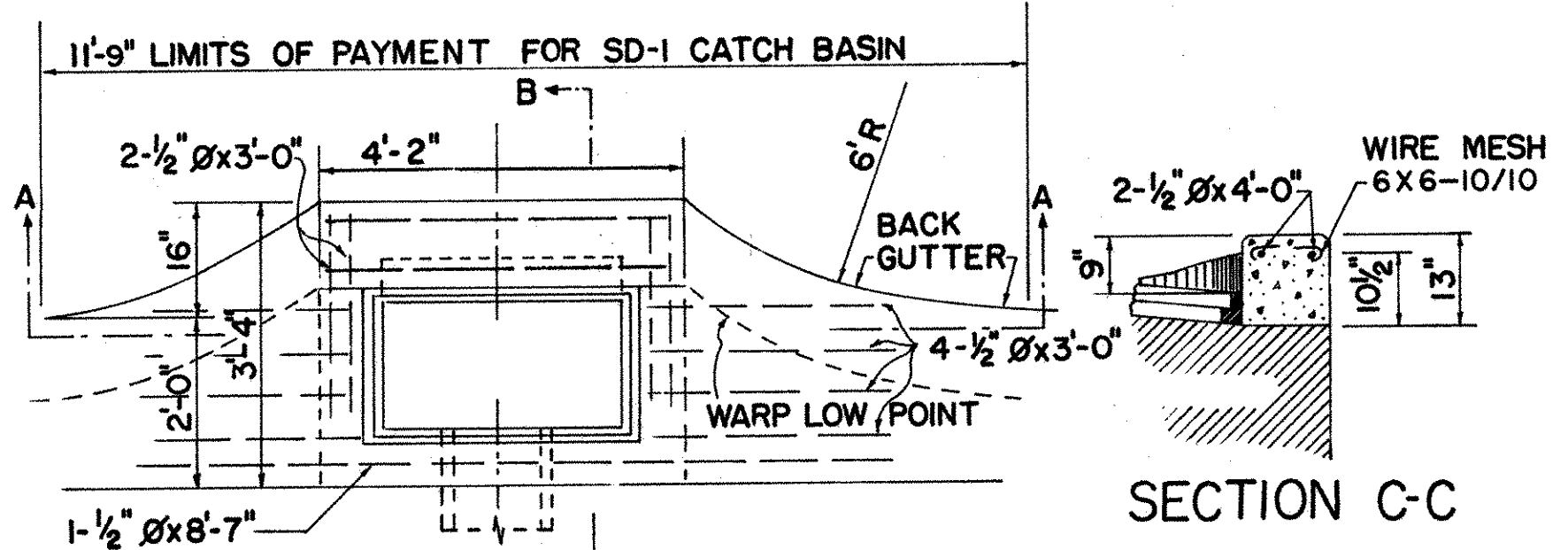
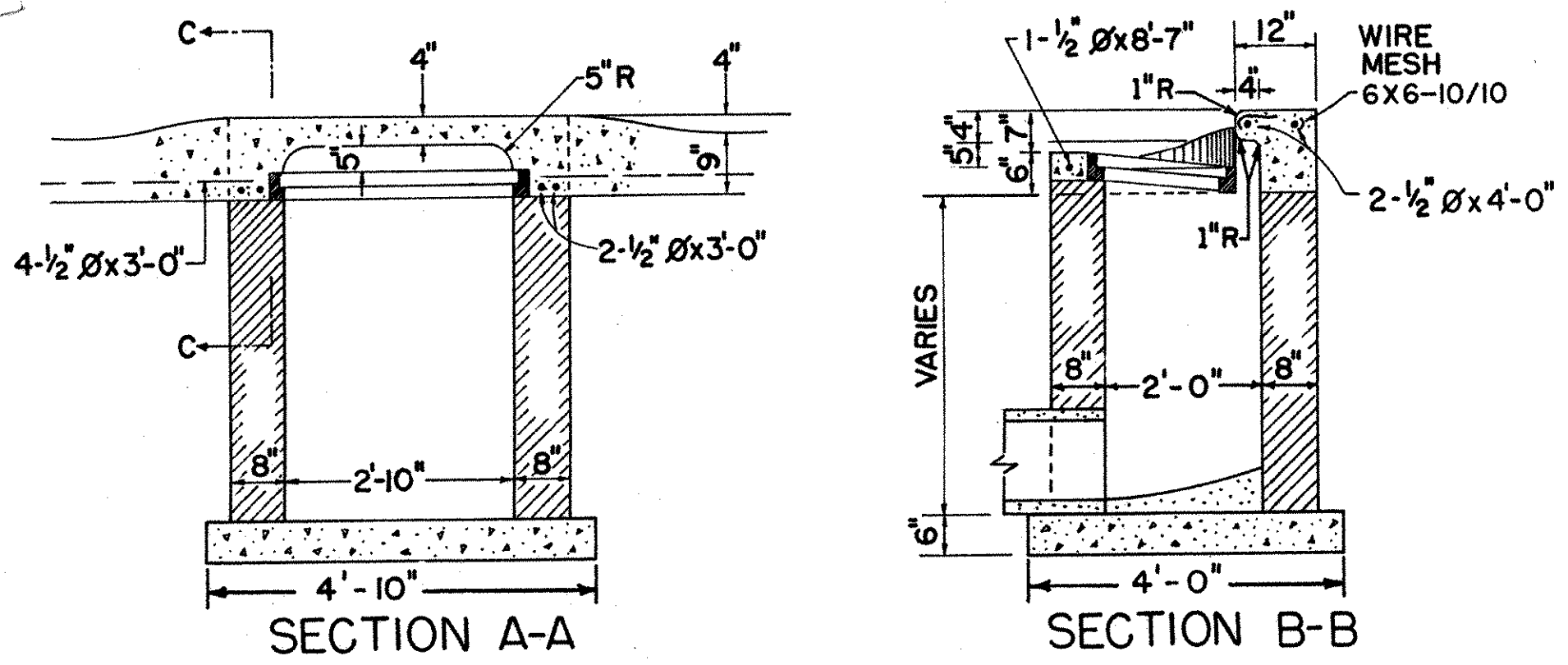
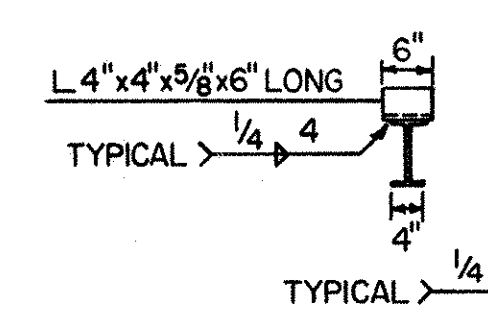
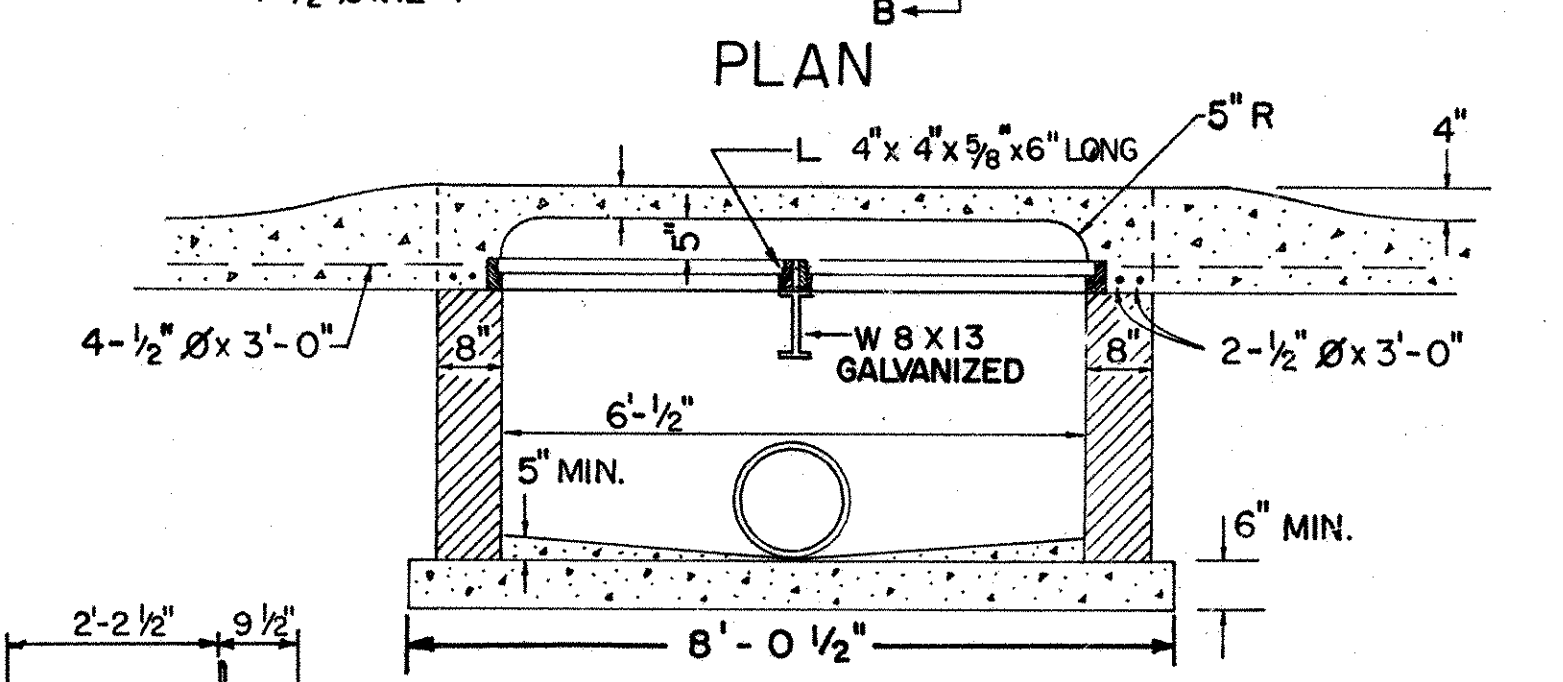
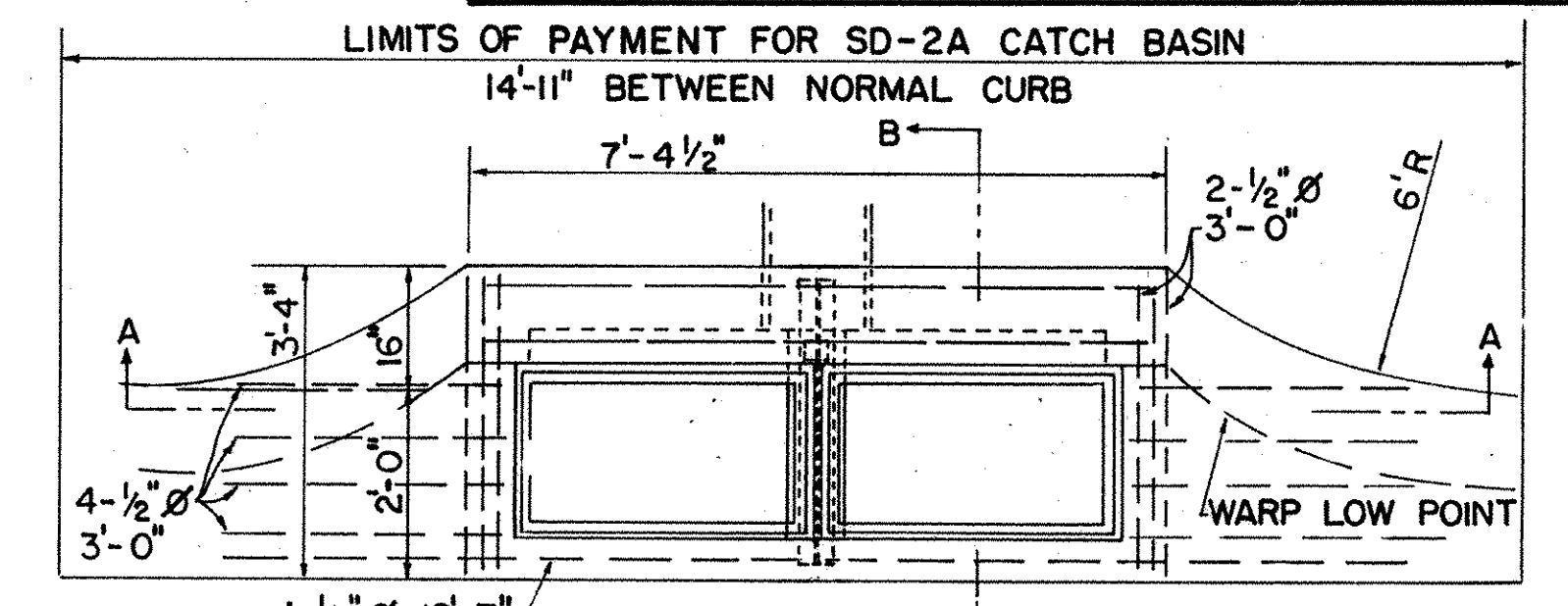
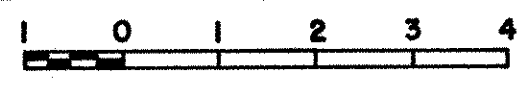


TABLE FOR REINFORCEMENT

TYPE	SIZE	LENGTH	QTY.	TOTAL LTH	WT. (LB)
ROUND BAR	1/2"	4'-0"	2	8'-0"	5.3
"	1/2"	3'-0"	12	36'-0"	24.0
"	1/2"	8'-7"	1	8'-7"	5.7
TOTAL	1/2"			4'-0" x 12"	35.0
WIRE MESH	6x6-10/10	4'-0" x 12"	1	4'-0" x 12"	

SD-1 CATCH BASIN



TO BE GALVANIZED AFTER WELDING
W BEAM SUPPORT FOR STANDARD CATCH BASIN FRAMES AND GRATES

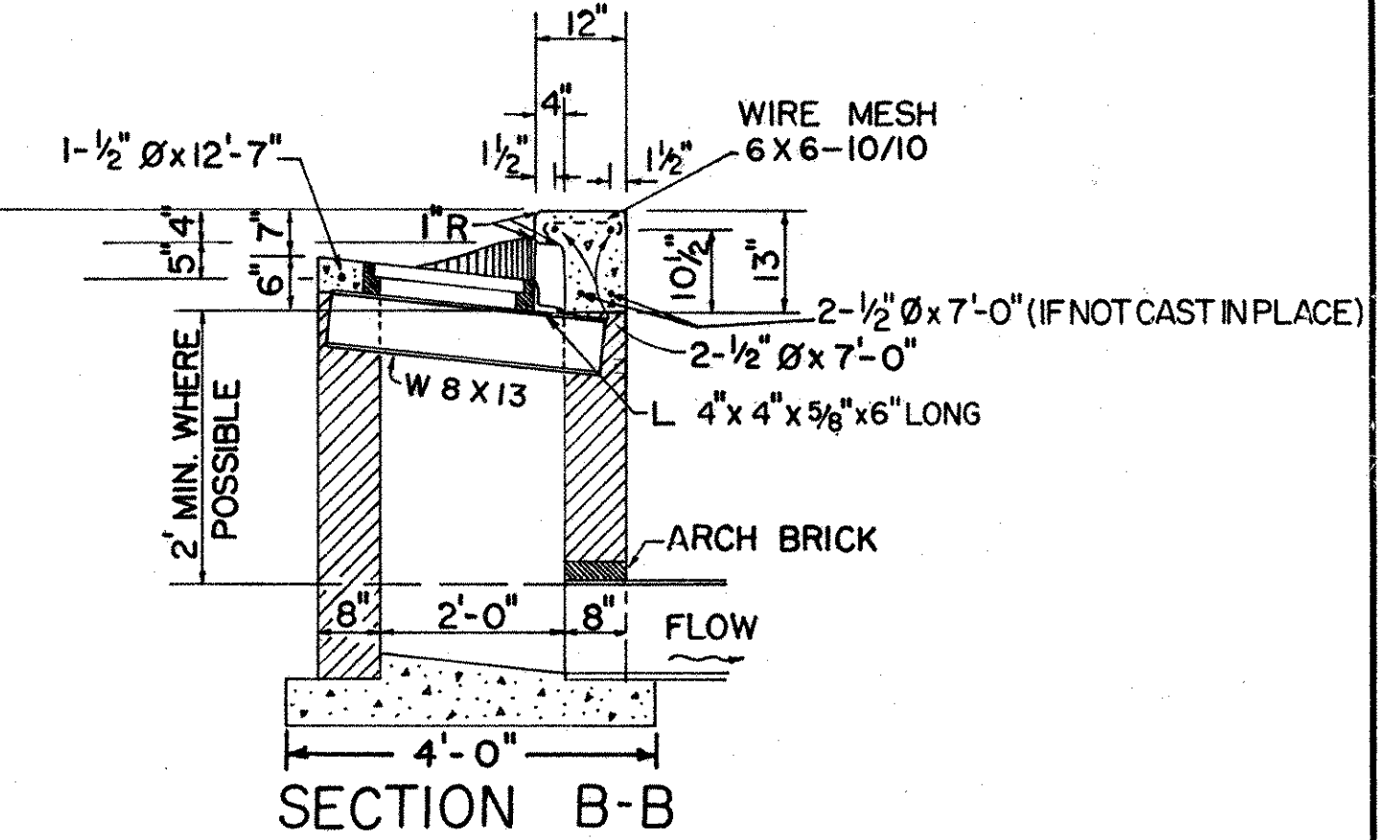


TABLE FOR REINFORCEMENT

TYPE	SIZE	LENGTH	QTY.	TOTAL LTH	WT. (LB)
ROUND BAR	1/2"	3'-0"	12	36'-0"	24.0
"	"	7'-0"	2	14'-0"	10.4
"	"	7'-0"	2	14'-0"	10.4
"	"	12'-7"	1	12'-7"	12.7
WIRE MESH	6x6-10/10	7'-0" x 12"	1	7'-0" x 12"	

IF NOT CAST IN PLACE

SD-2A CATCH BASIN

