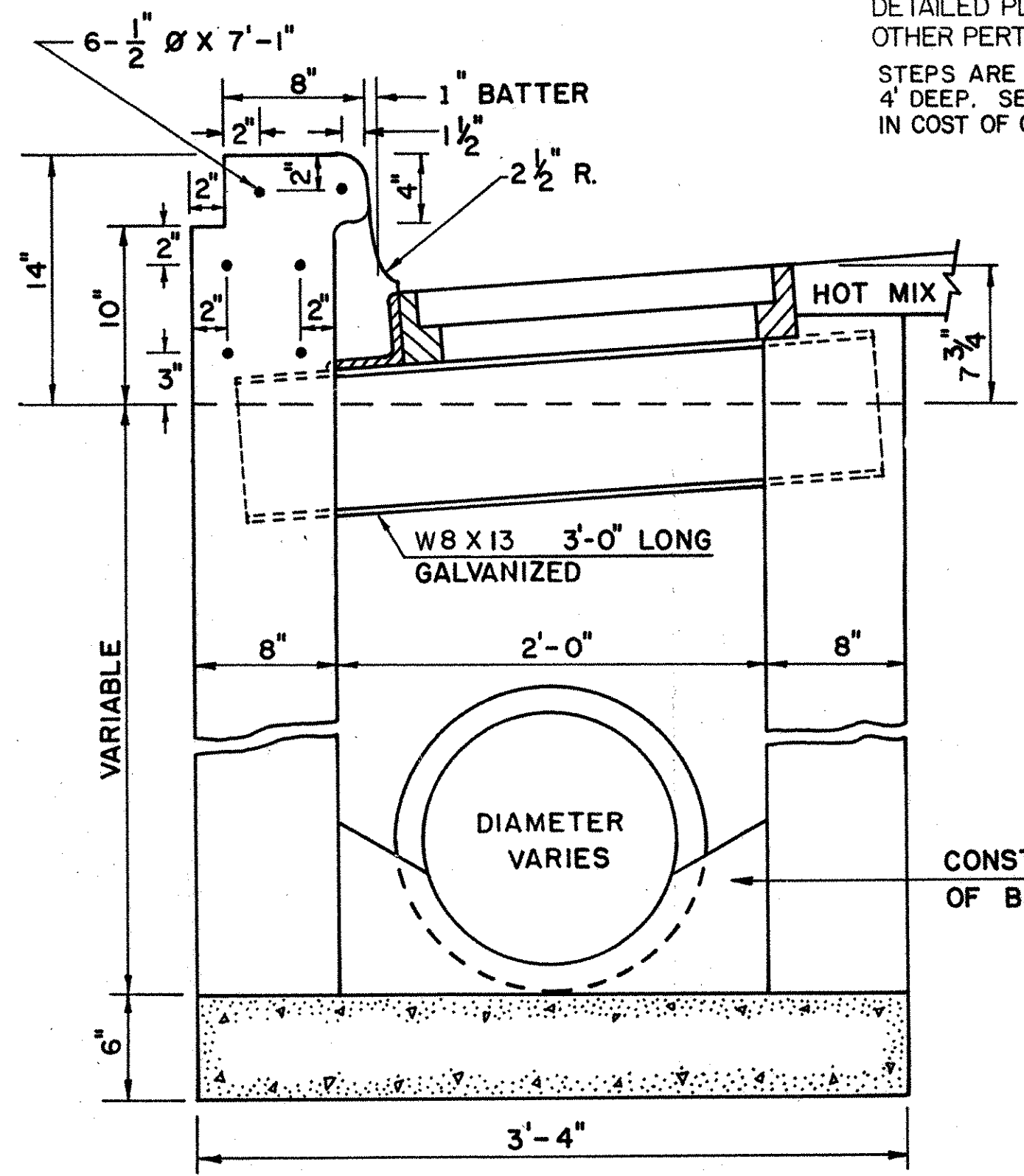
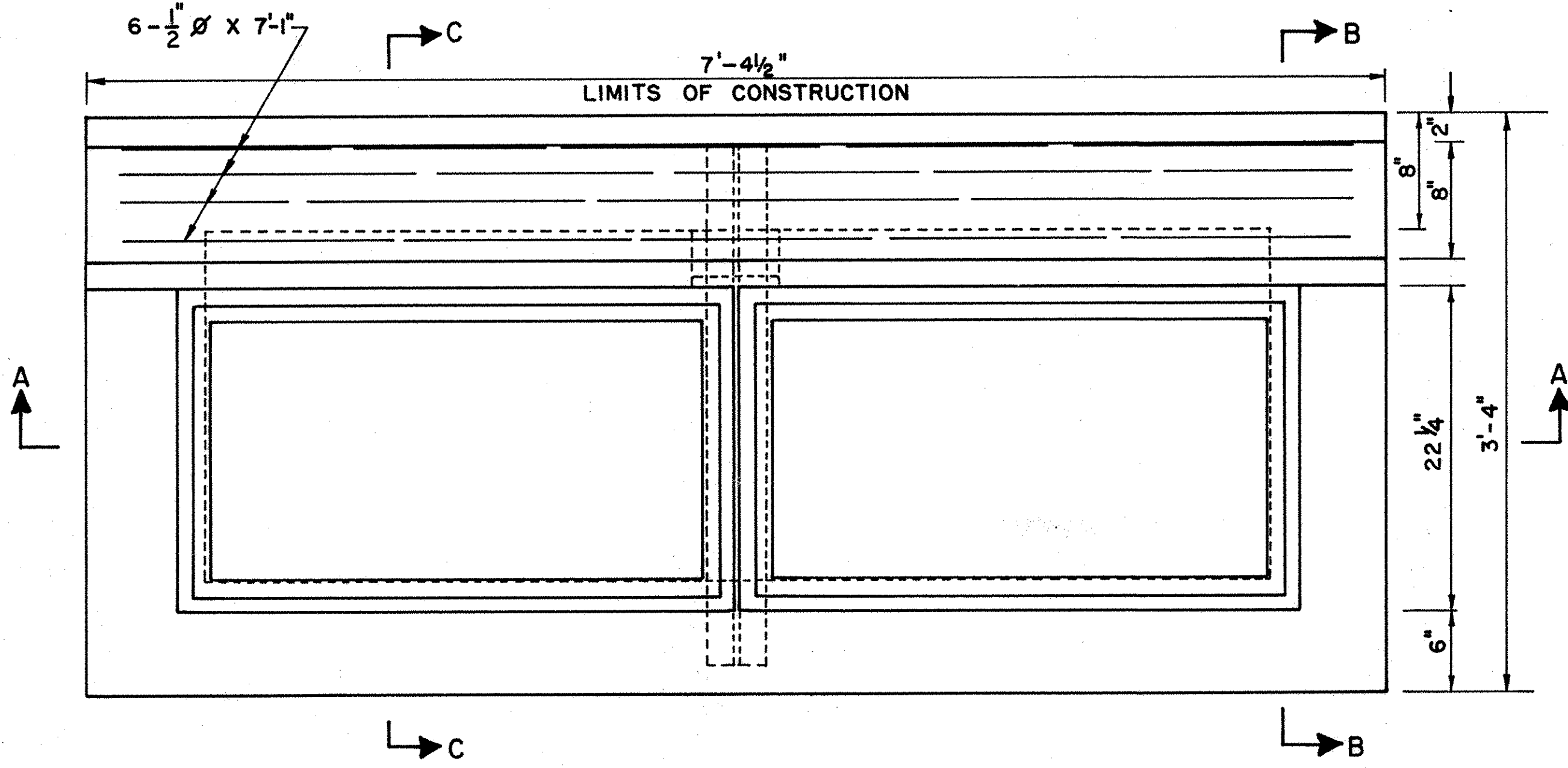


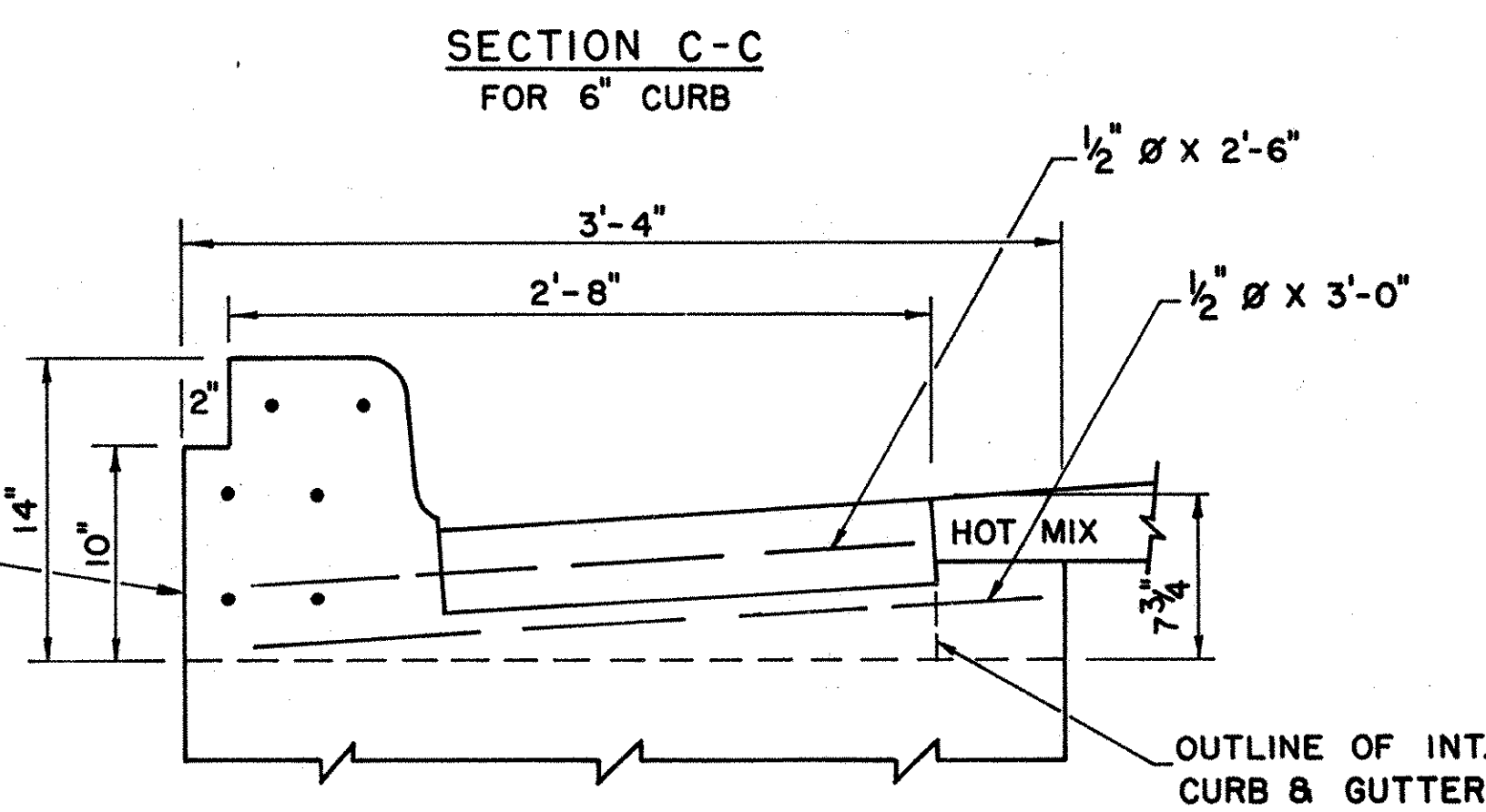
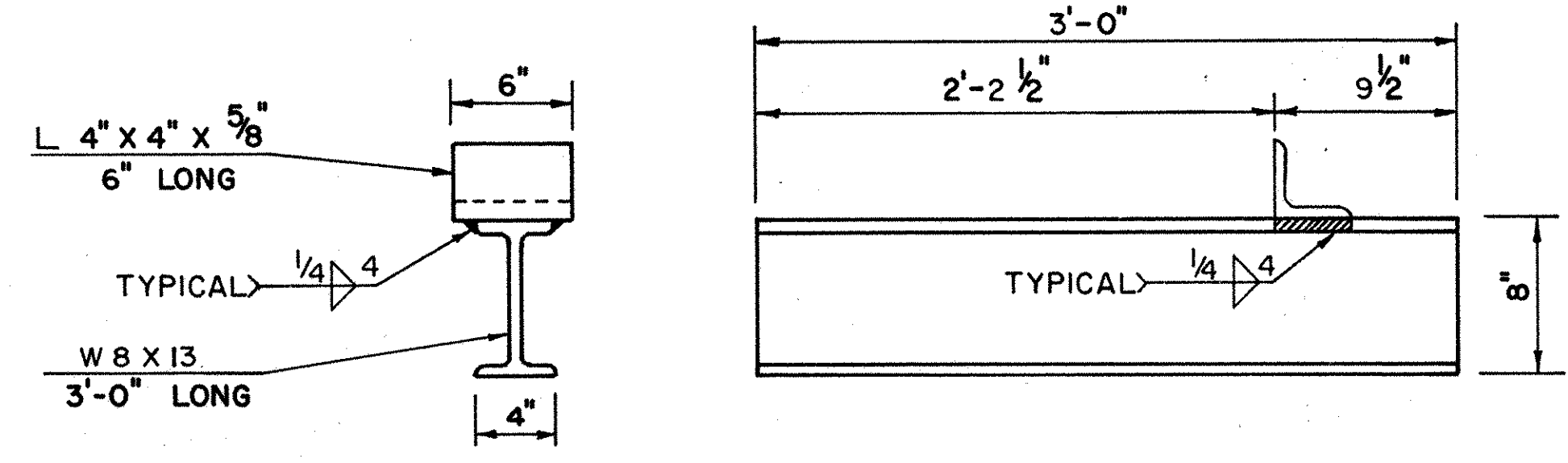
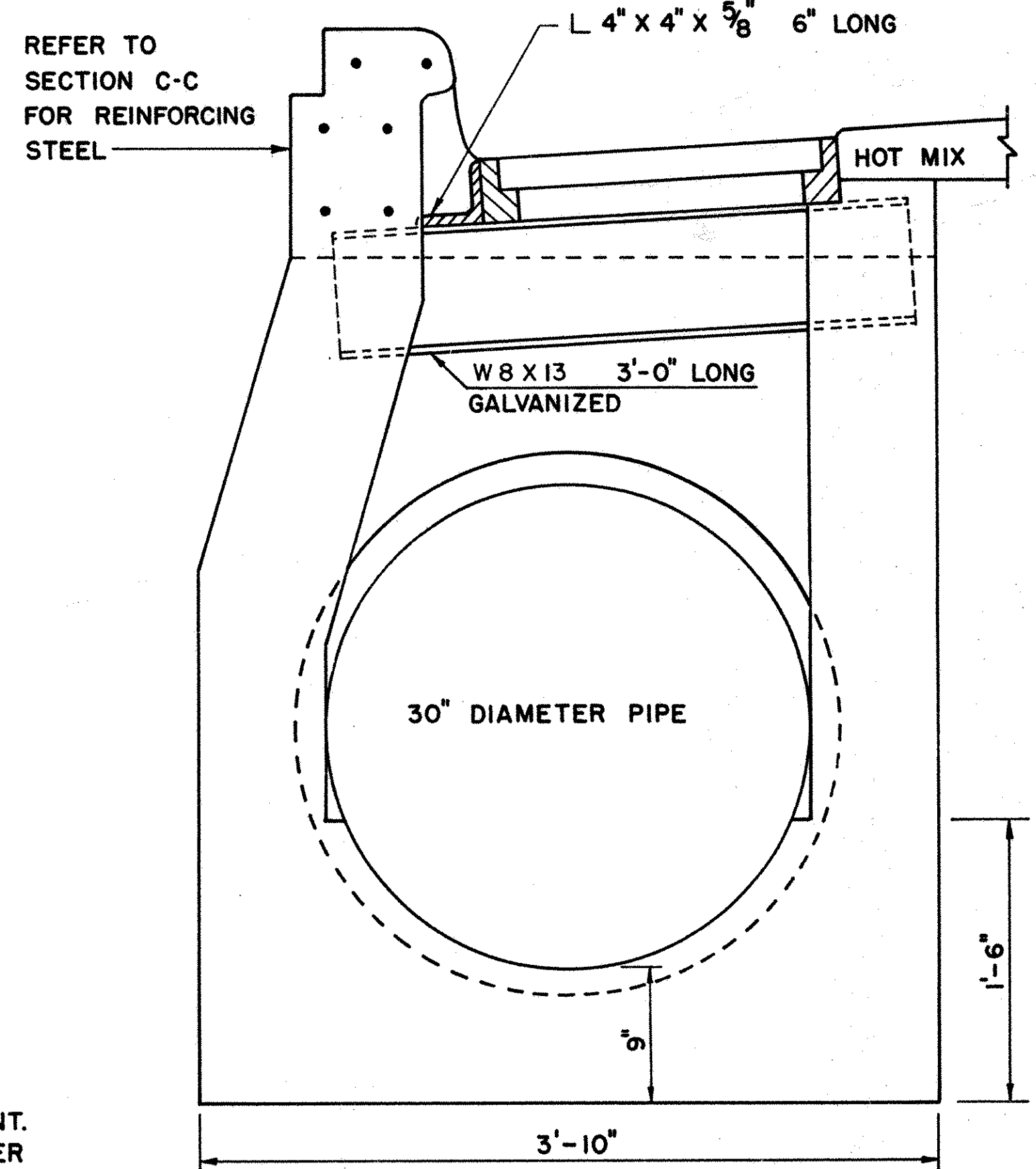
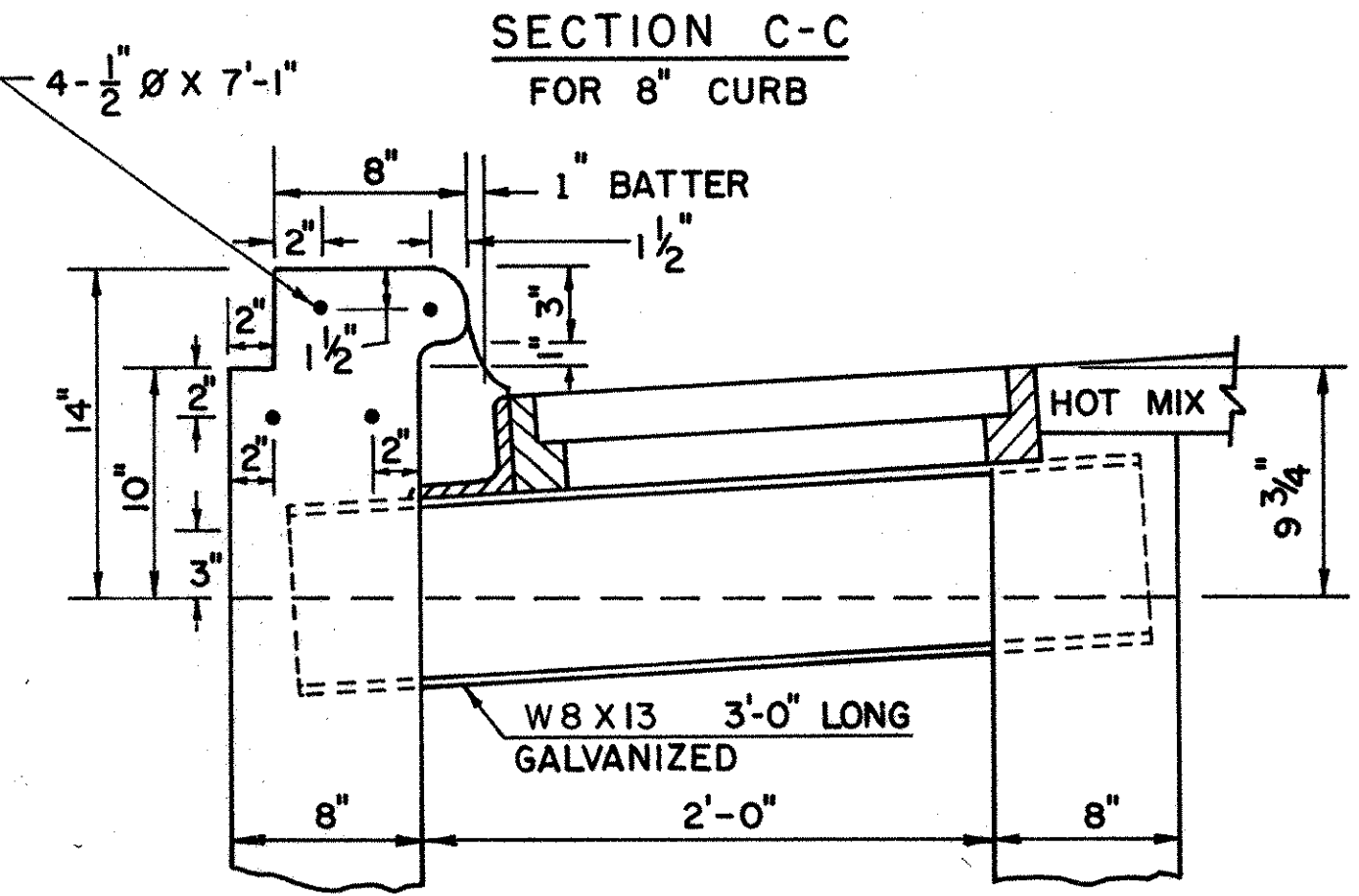
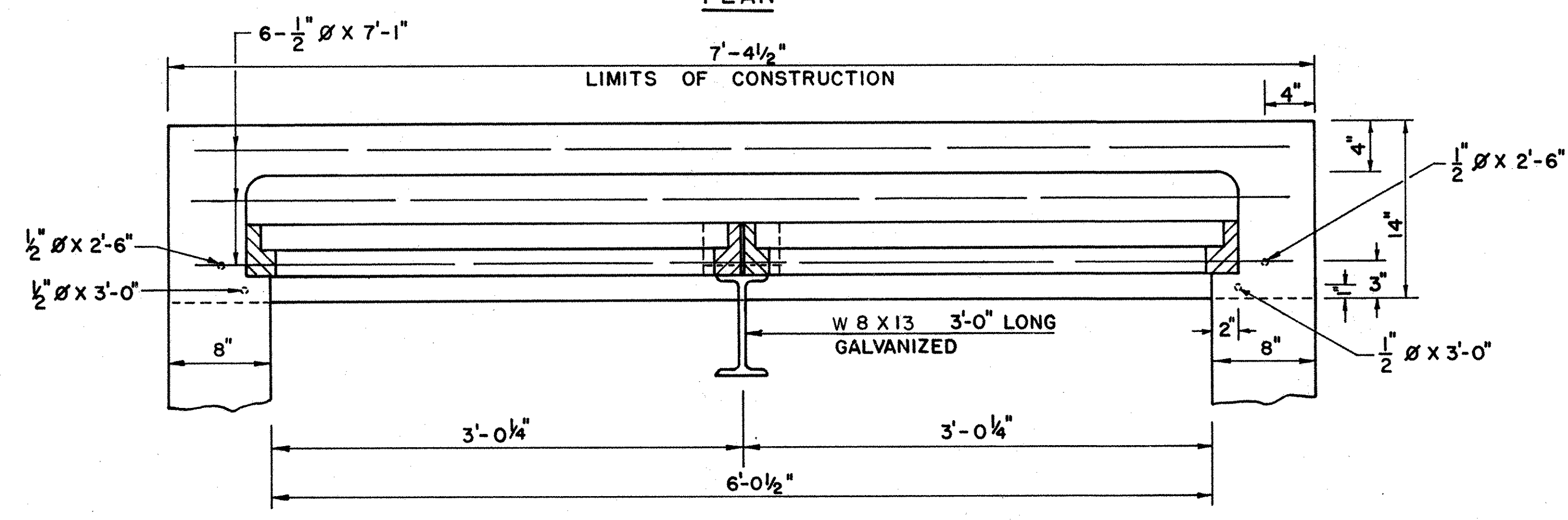
COUNTY	CONTRACT	P. R. A. REG. NO.	STATE	FED. AID PROJECT NO.	SHEET NO.	TOTAL SHEETS
	2	DEL.				
<b>STANDARD SHEET D-19-5</b>						
<b>CATCH BASINS DOUBLE J &amp; DOUBLE J MODIFIED</b>						
PREL. TRACING Y.N.C.		DESIGN E.L.W.		CHKD. J.T.B.		
REVISIONS						
1. 4/1/71, NOMENCLATURE CHANGES FOR A.I.S.C. SPEC., D.M.E.						
2. 10/25/74, NOTE REFERRING TO STANDARD SHEET D-1, R.T.C.						
3. 12/2/75, STANDARDIZED DIMENSIONS & ADDED FRAME & GRATE NOTE. R.F.R.						
4. 1/31/77, ADDED PRECAST NOTE AND REVISED W BEAM R.F.R.						
5. 1/30/81, ADDED STEP NOTE R.F.R.						
APPROVED <i>[Signature]</i> 7/27/70						
DIRECTOR OF OPERATIONS					DATE	
<i>[Signature]</i> 7/27/70					DATE	
DEPUTY DIRECTOR-CHIEF ENGINEER						

NOTE: CATCH BASINS MAY BE PRECAST. CONTRACTOR SHALL SUBMIT DETAILED PLANS SHOWING SECTIONS, JOINTS, REINFORCEMENT AND OTHER PERTINENT INFORMATION FOR APPROVAL.  
 STEPS ARE TO BE PLACED IN ALL CATCH BASINS AND MANHOLES OVER 4' DEEP. SEE STANDARD SHEET D-1. COST OF STEPS TO BE INCLUDED IN COST OF CATCH BASIN.

**DOUBLE J CATCH BASIN FOR INTEGRAL CURB AND GUTTER ONLY**



- NOTES:
- REINFORCING STEEL IS TO BE INCLUDED IN UNIT PRICE BID FOR DOUBLE J CATCH BASIN.
  - W BEAM AND ANGLE IRON ARE TO BE INCLUDED IN UNIT PRICE BID FOR DOUBLE J CATCH BASIN.
  - USE STANDARD CATCH BASIN FRAMES AND GRATES. SEE STANDARD SHEET D-1.
  - COST OF 7'-5" OF INTEGRAL CURB & GUTTER IS TO BE INCLUDED IN UNIT PRICE BID FOR DOUBLE J CATCH BASIN.
  - TARGET BRICK OR BLOCK MASONRY WITH 1/2" OF PORTLAND CEMENT MORTAR.
  - UPPER 12" OF STRUCTURE TO BE OF P.C.C. MASONRY.
  - CATCH BASIN FRAME AND GRATE MAY BE DEPRESSED 1/2" BELOW POSITION SHOWN, WHEN DIRECTED.



TO BE GALVANIZED AFTER WELDING  
**W BEAM SUPPORT FOR STANDARD CATCH BASIN FRAMES AND GRATES**

**DOUBLE J CATCH BASIN**



**DOUBLE J MODIFIED CATCH BASIN (30" PIPE) FOR INTEGRAL CURB & GUTTER ONLY**