
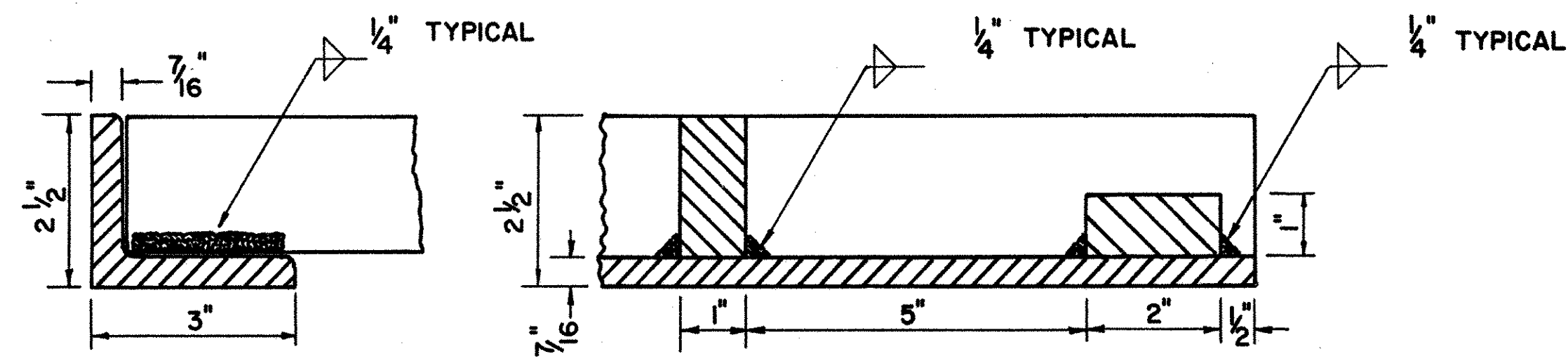
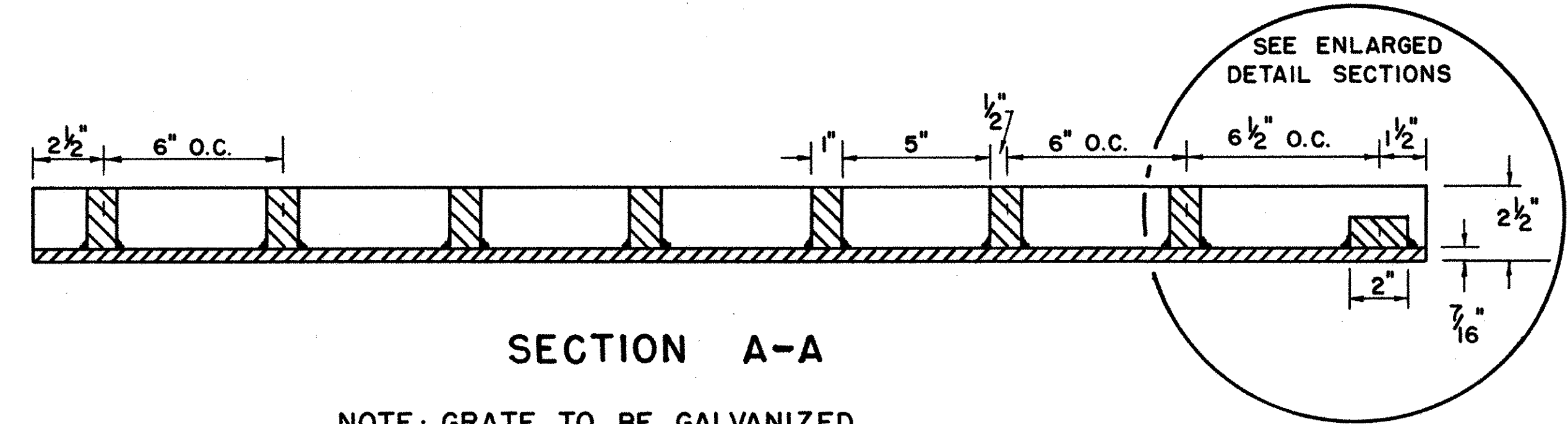


COUNTY	CONTRACT	P. R. A. REG. NO.	STATE	FED. AID PROJECT NO.	SHEET NO.	TOTAL SHEETS
		2	DEL.			
<b>STANDARD SHEET D-4</b>						
<b>MEDIAN GRATE M-1</b>						
PREL. TRACING		Y.N.C.		DESIGN	E.L.W. CHKD. J.T.B.	
REVISIONS						
NOMENCLATURE CHANGES FOR A.I.S.C. SPECIFICATIONS, 3/31/71						
—D.M.E.—						
APPROVED  6.22.70						
DIRECTOR OF OPERATIONS					DATE	
<i>Joe S. Robinson</i>					6/22/70	
DEPUTY DIRECTOR-CHIEF ENGINEER					DATE	

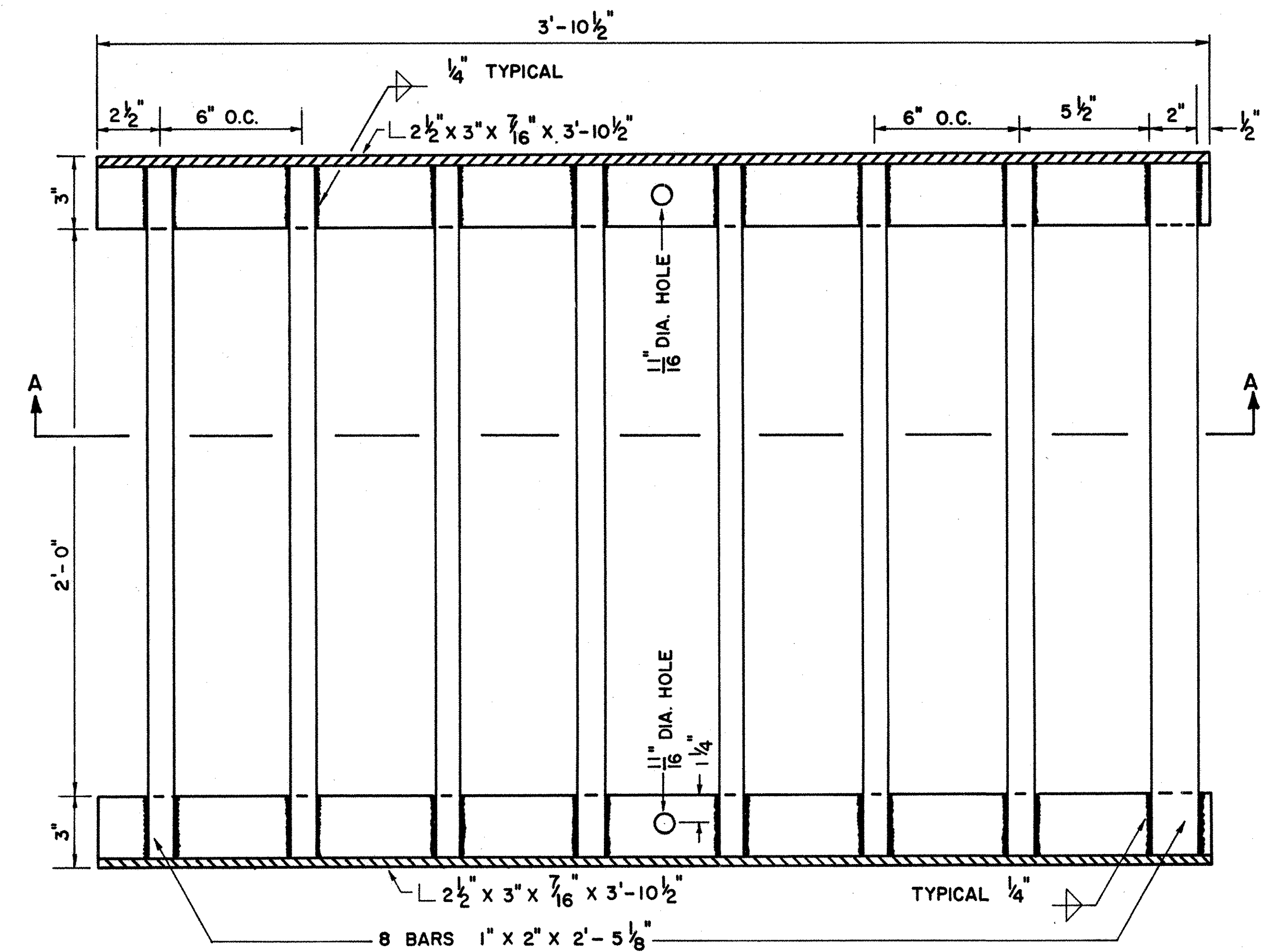


ENLARGED SECTIONS



SECTION A-A

NOTE: GRATE TO BE GALVANIZED



PLAN  
M-1 MEDIAN GRATE

