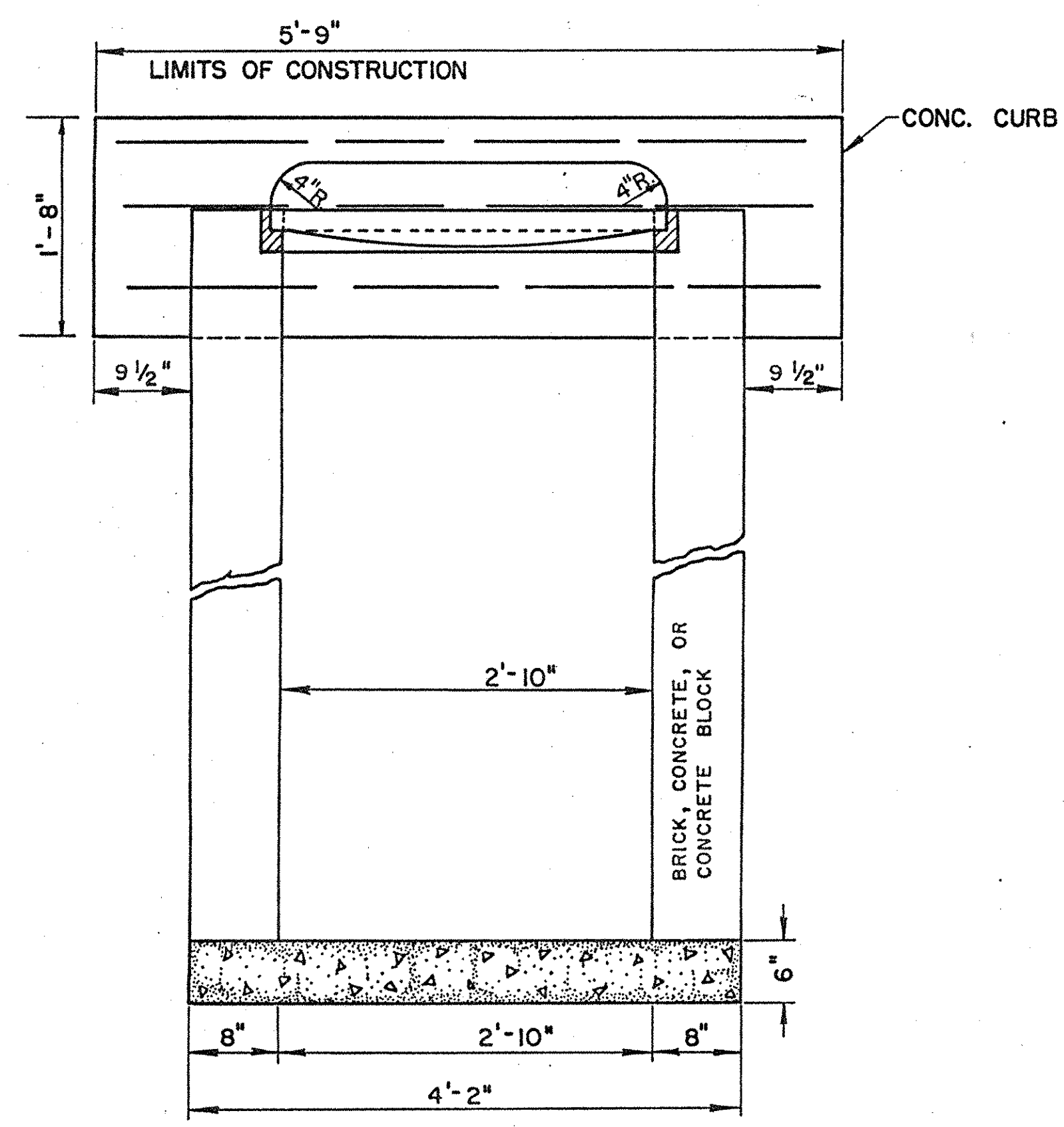
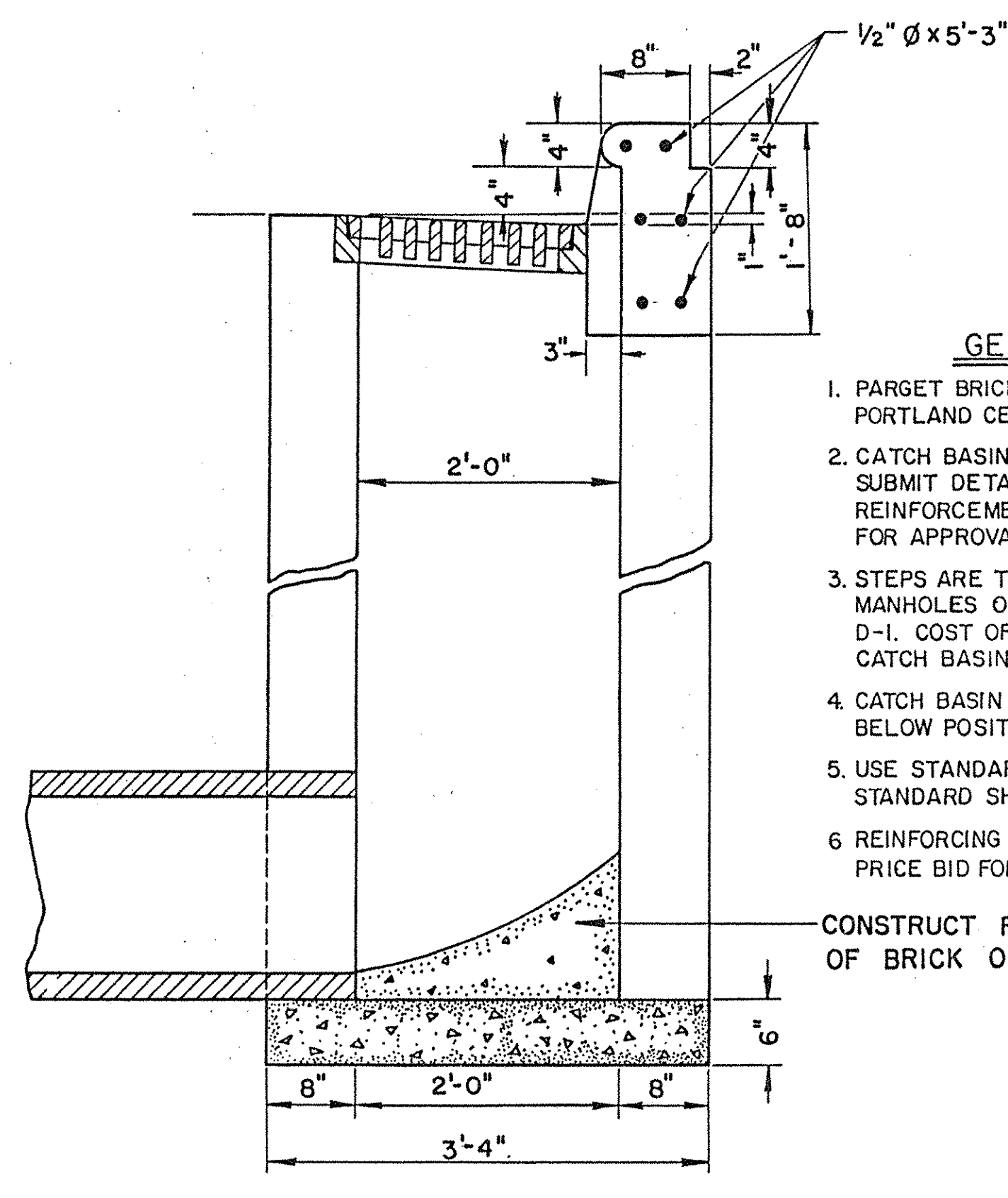


COUNTY	CONTRACT	P. R. A. RES. NO.	STATE	FED. AID PROJECT NO.	SHEET NO.	TOTAL SHEETS
	2		DEL.			
STANDARD SHEET D-7-5						
CATCH BASINS A & B, B JUNCTION BOX						
PREL. TRACING <i>J. WHITE</i>		DESIGN <i>E. L. W.</i>		CHKD. <i>J. T. B.</i>		
<small>DELETED REQUIREMENT FOR TOP 12" OF P.C.C. MASONRY. 9-25-72 J.T.B. 10/25/74, NOTE REFERRING TO STANDARD SHEET D-1, R.T.C. STANDARDIZED DIMENSIONS & ADDED FRAME & GRATE NOTE 12-2-75 R.F.R. ADDED PRECAST NOTE 1-31-77 R.F.R. REVISED NOTES, ADDED STEP NOTE 1-30-81 R.F.R.</small>						
APPROVED <i>[Signature]</i>					6-22-70	DATE
DIRECTOR OF OPERATIONS					6/22/70	DATE
<i>[Signature]</i>						
DEPUTY DIRECTOR-CHIEF ENGINEER						

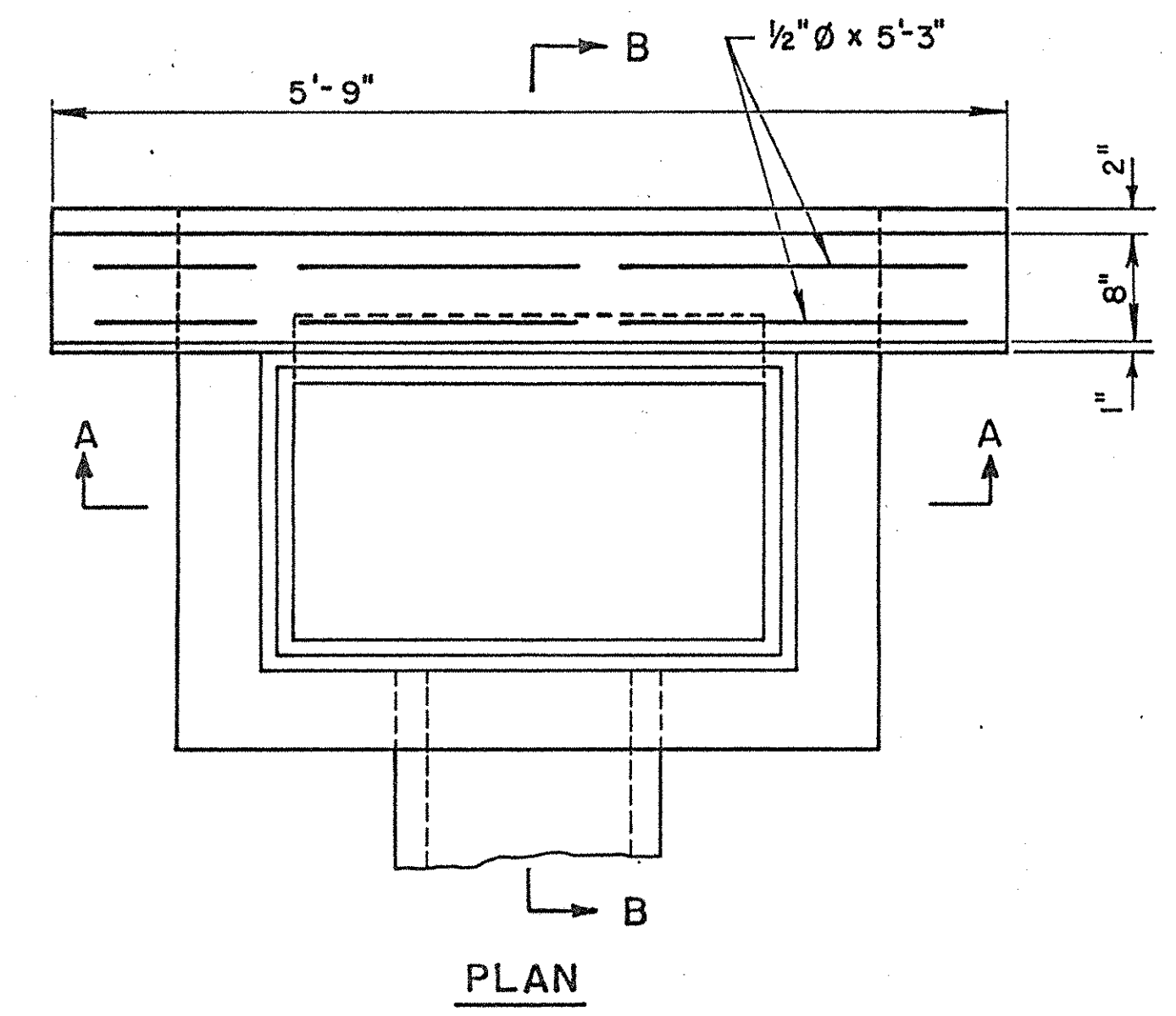


SECTION A-A

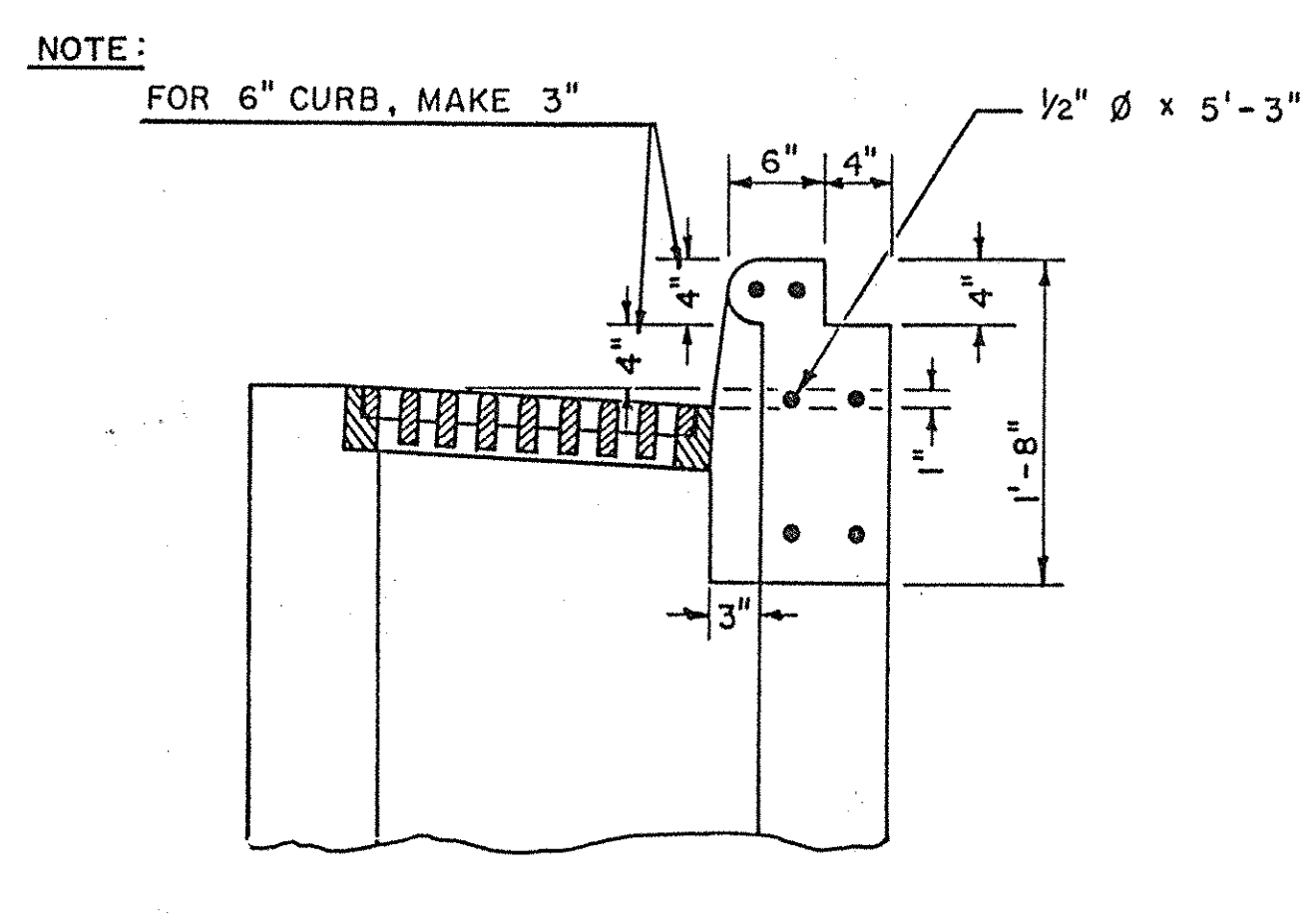
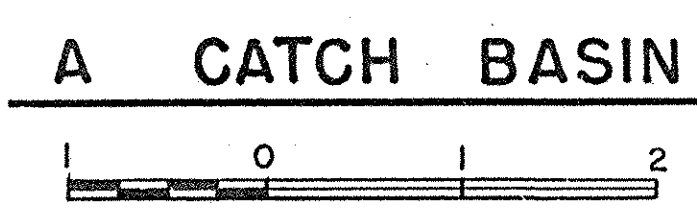


SECTION B-B

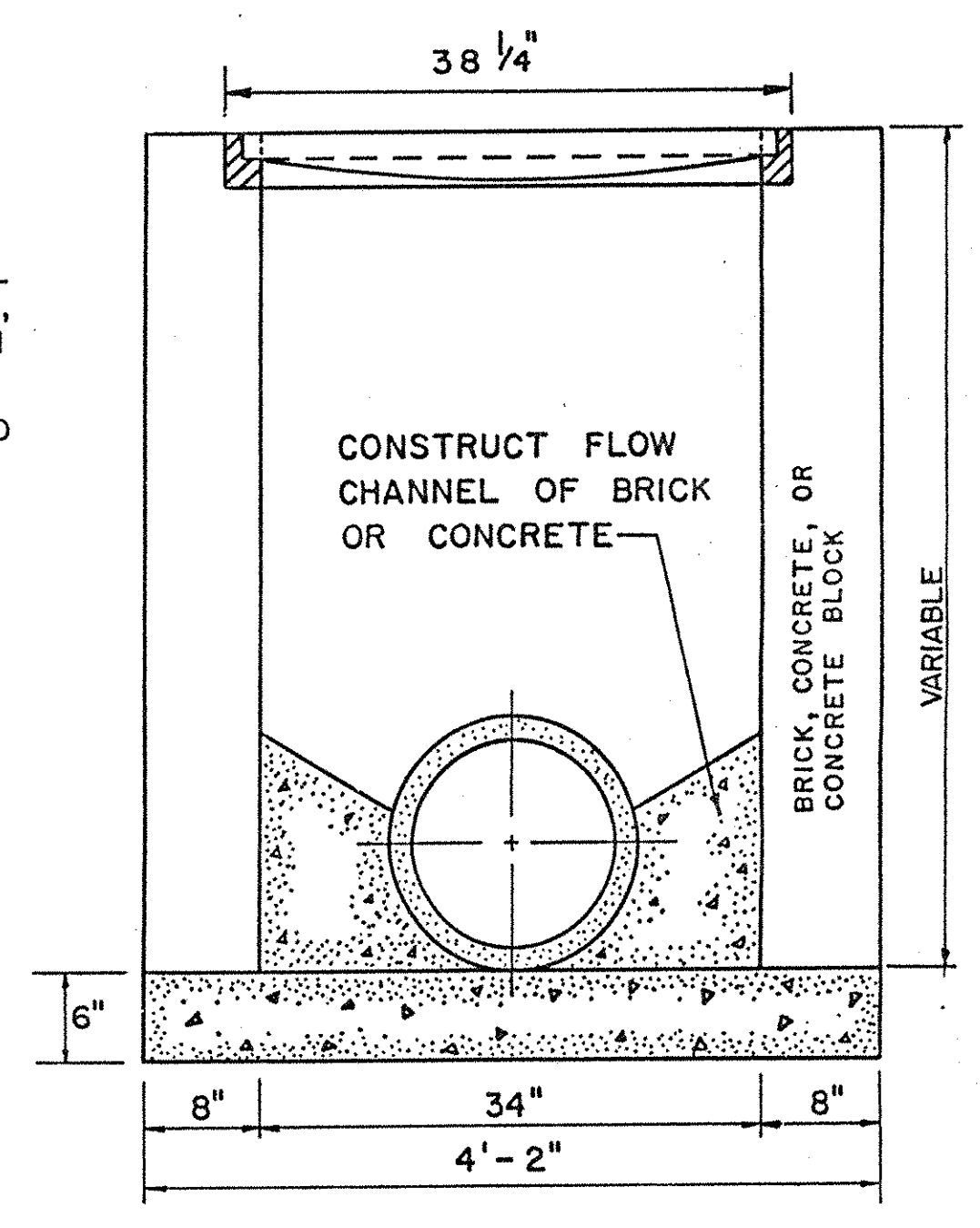
- GENERAL NOTES**
1. PARGET BRICK OR BLOCK MASONRY WITH 1/2" OF PORTLAND CEMENT MORTAR.
 2. CATCH BASIN MAY BE PRECAST. CONTRACTOR SHALL SUBMIT DETAILED PLANS SHOWING SECTIONS, JOINTS, REINFORCEMENT AND OTHER PERTINENT INFORMATION FOR APPROVAL.
 3. STEPS ARE TO BE PLACED IN ALL CATCH BASINS AND MANHOLES OVER 4' DEEP. SEE STANDARD SHEET D-1. COST OF STEPS TO BE INCLUDED IN COST OF CATCH BASIN (THIS ALSO REFERS TO B JUNCTION BOXES).
 4. CATCH BASIN FRAME AND MAY BE DEPRESSED 1/2" BELOW POSITION SHOWN, WHEN DIRECTED.
 5. USE STANDARD CATCH BASIN FRAME & GRATE SEE STANDARD SHEET D-1.
 6. REINFORCING STEEL IS TO BE INCLUDED IN UNIT PRICE BID FOR- A CATCH BASIN.



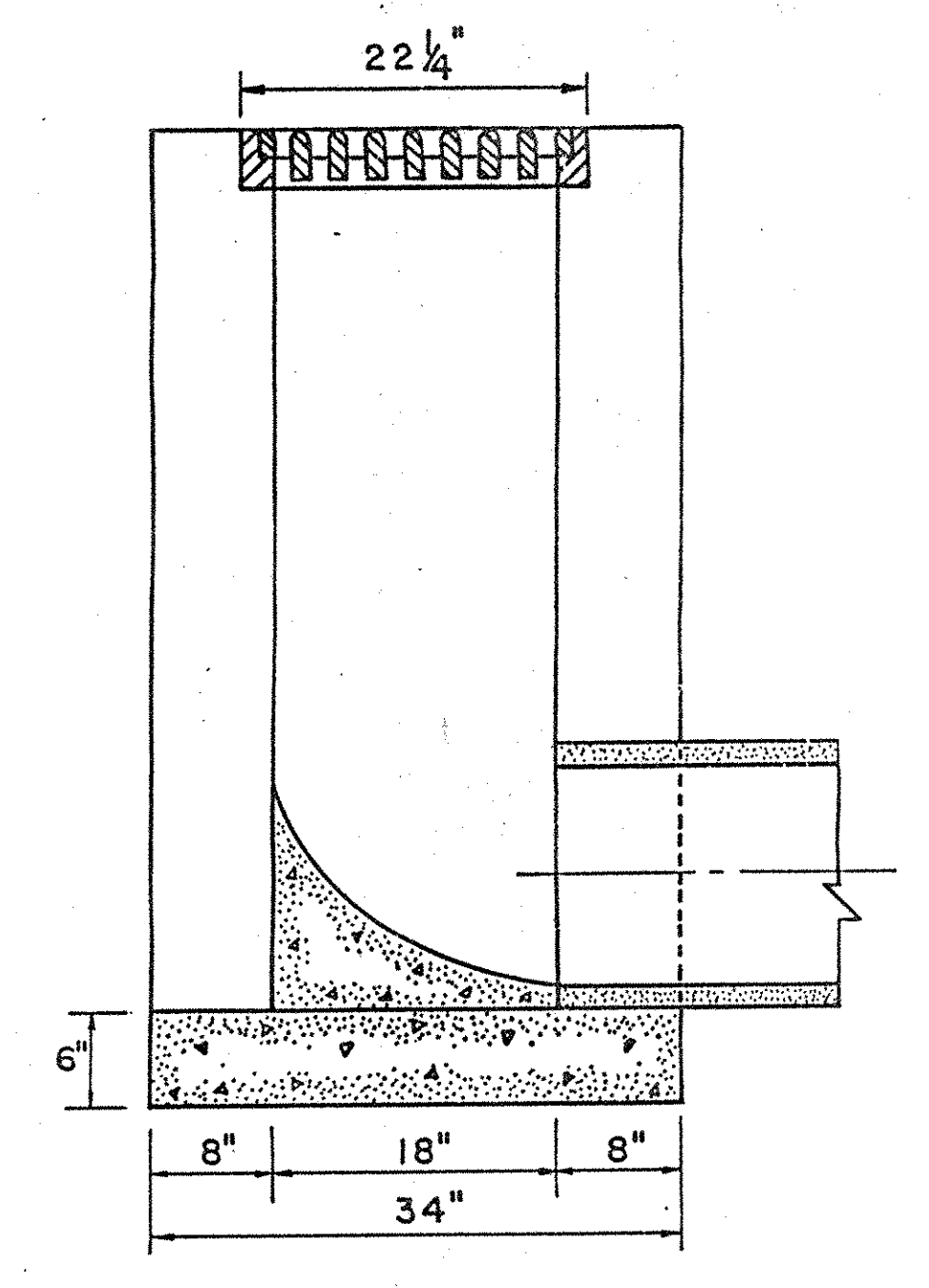
PLAN



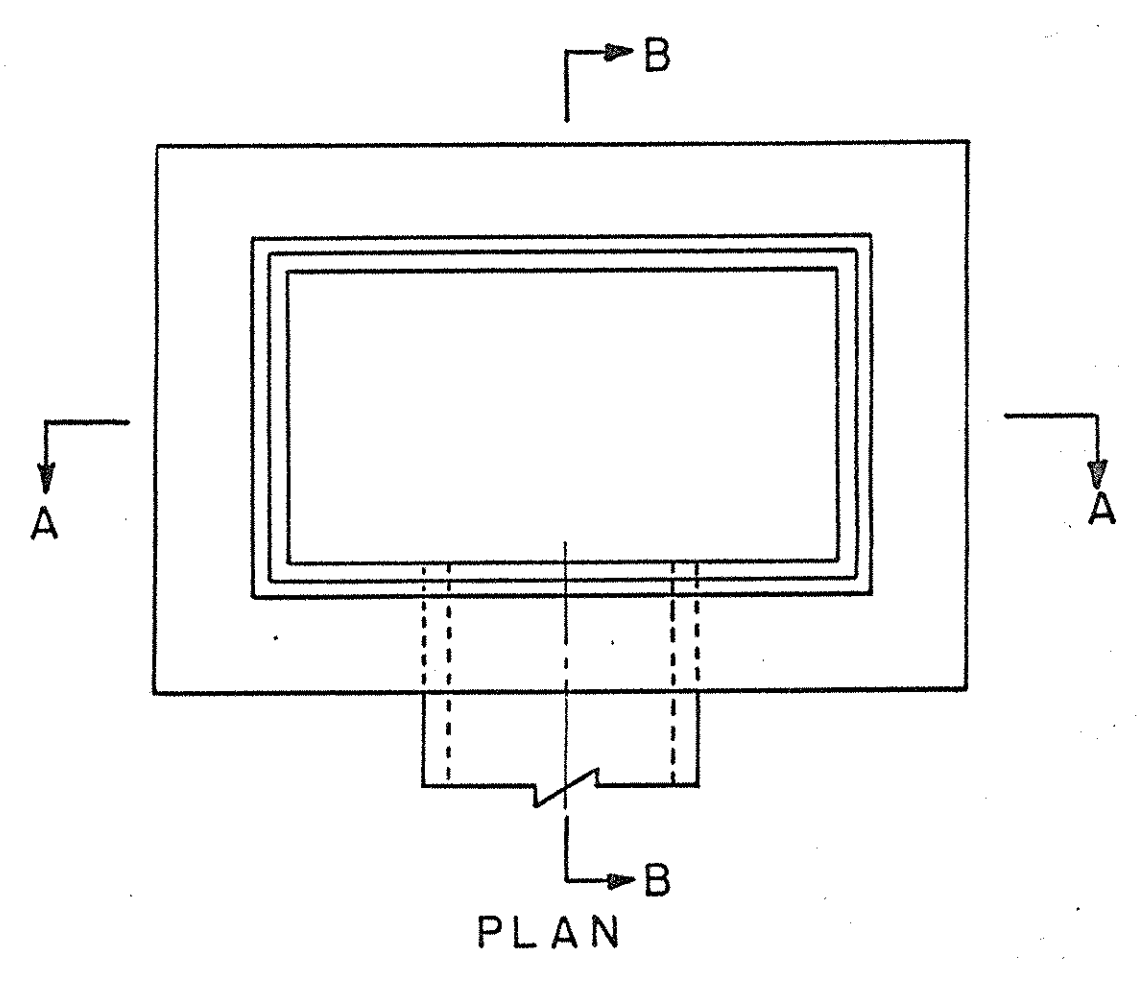
SECTION B-B



SECTION A-A

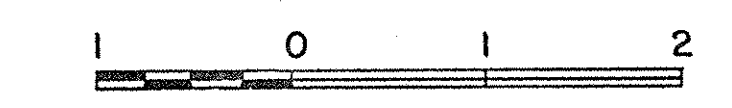


SECTION B-B



PLAN

**B CATCH BASIN (as shown)
OR
B JUNCTION BOX***



* The cover shown on sheet D-1 is substituted for the grate. This is the only difference.