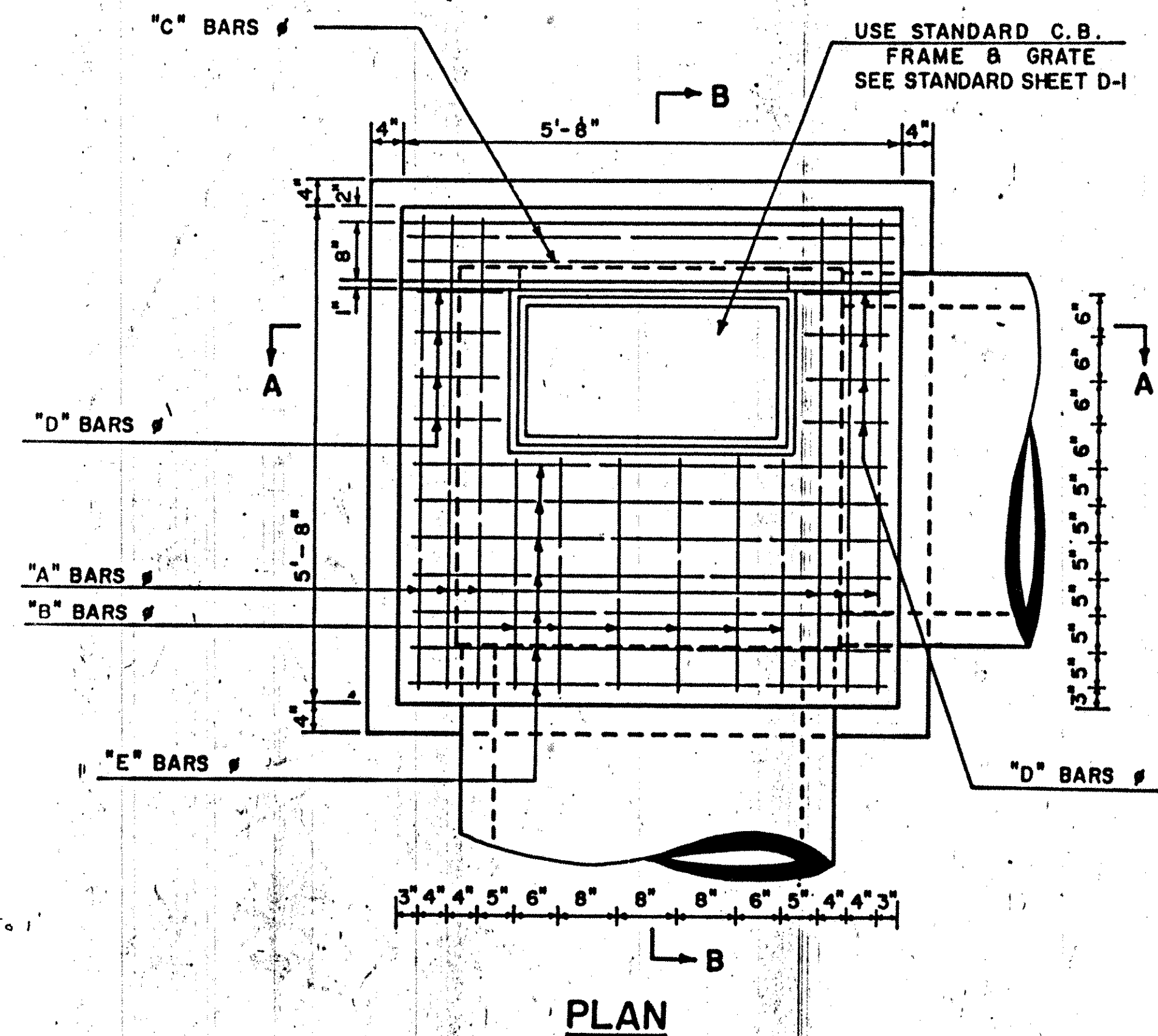
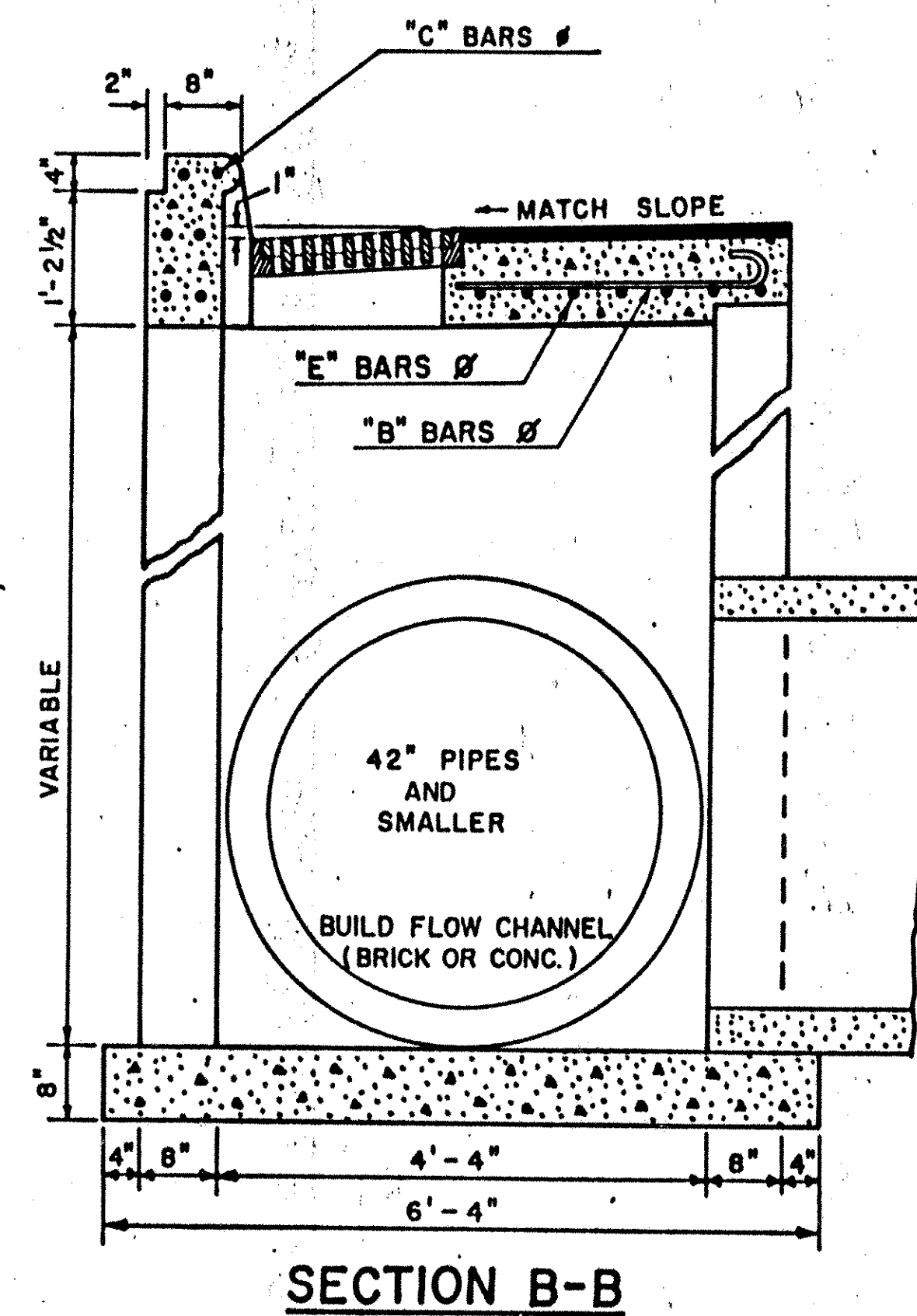
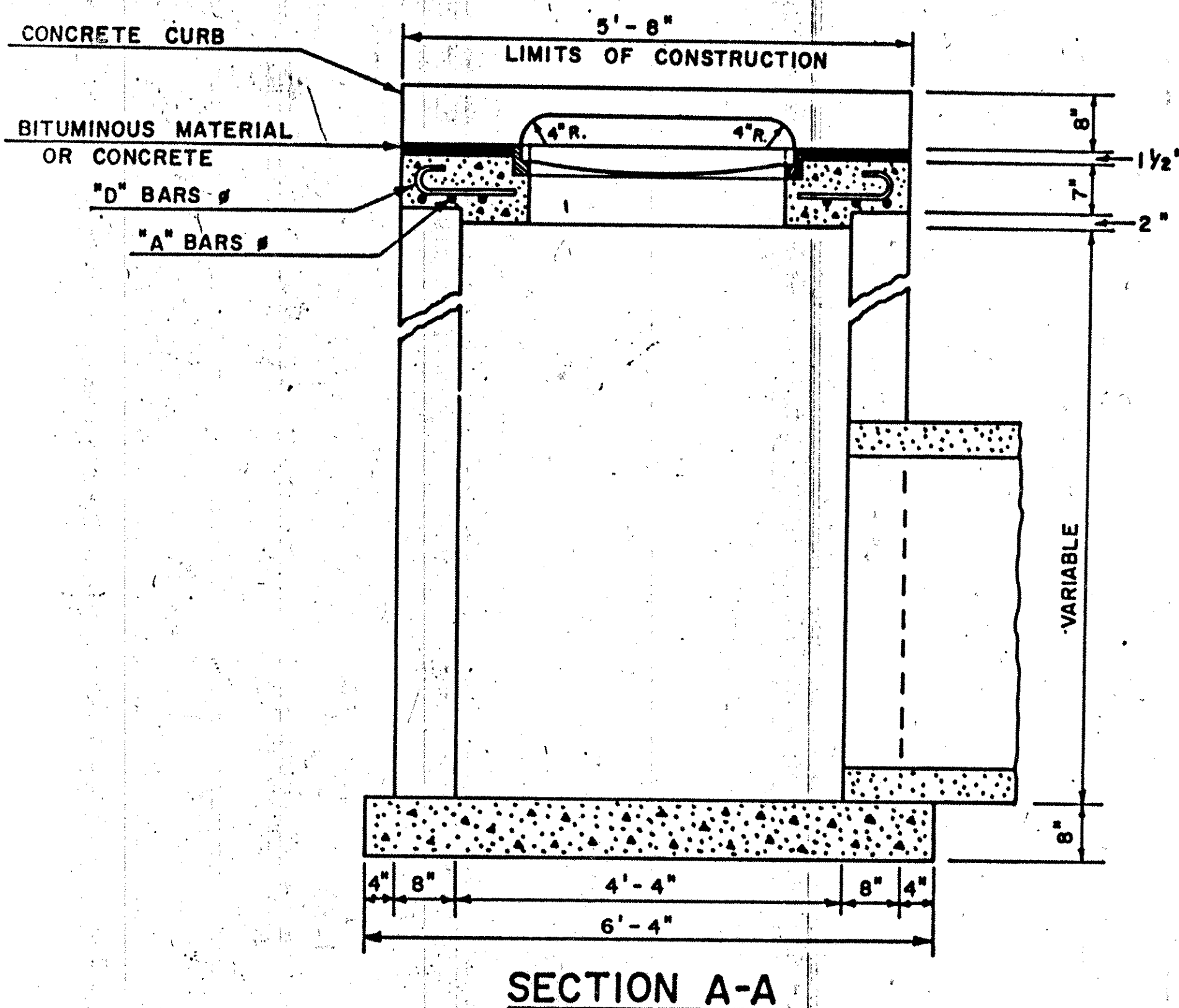


1. TARGET BRICK OR BLOCK MASONRY WITH 1/2" OF PORTLAND CEMENT MORTAR.
2. UPPER 12" OF STRUCTURE TO BE OF P.C.C. MASONRY.
3. CATCH BASIN MAY BE PRECAST. CONTRACTOR SHALL SUBMIT DETAILED PLANS SHOWING SECTIONS, JOINTS, REINFORCEMENT AND OTHER PERTINENT INFORMATION FOR APPROVAL.
4. STEPS ARE TO BE PLACED IN ALL CATCH BASINS AND MANHOLES OVER 4' DEEP. SEE STANDARD SHEET D-1. COST OF STEPS TO BE INCLUDED IN COST OF CATCH BASIN.



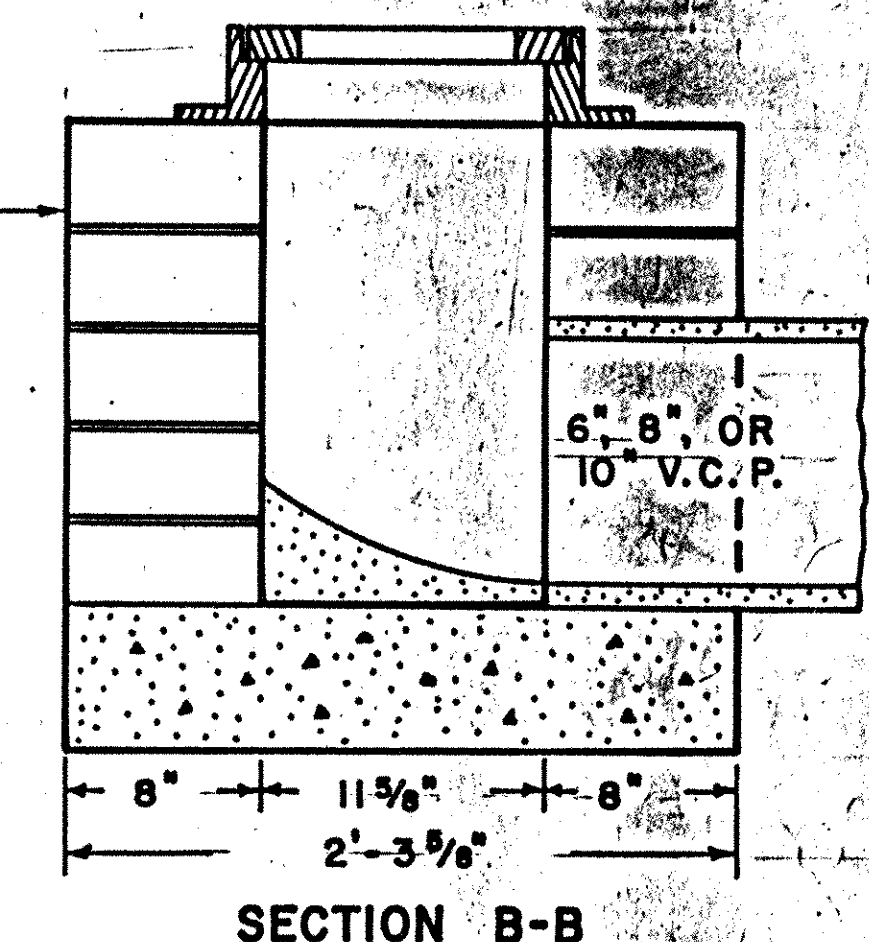
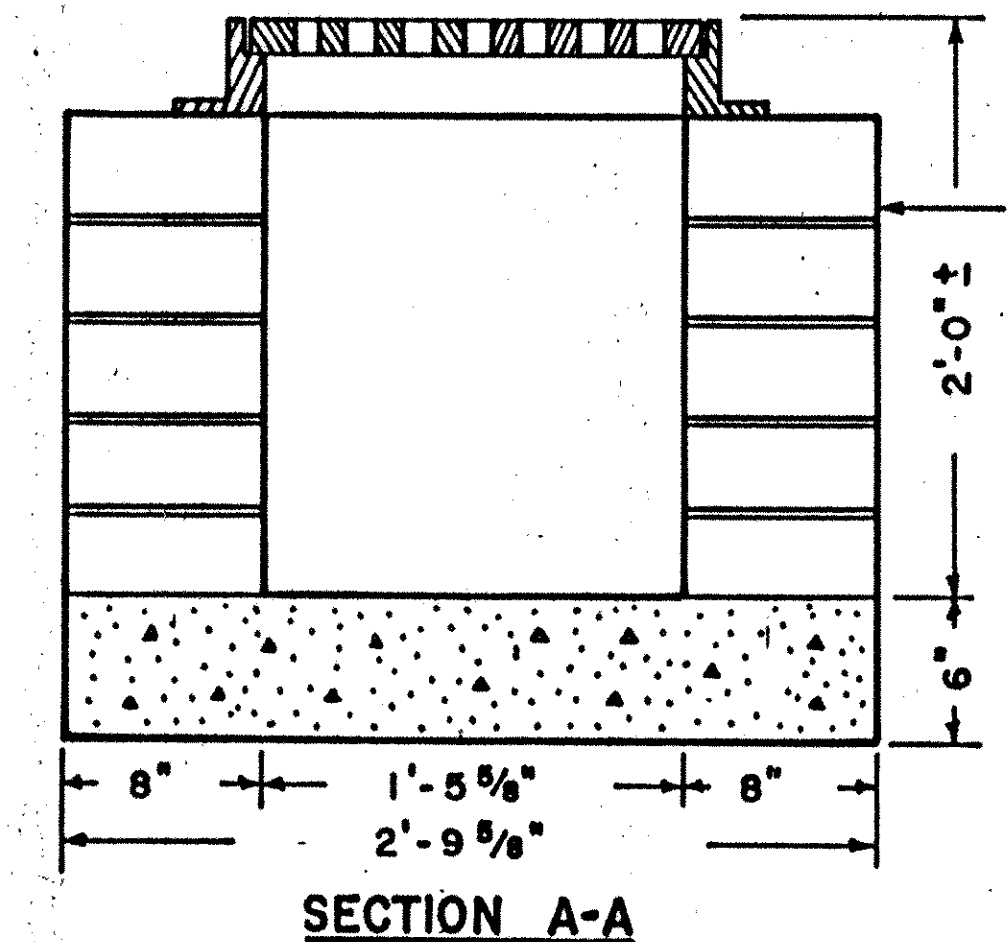
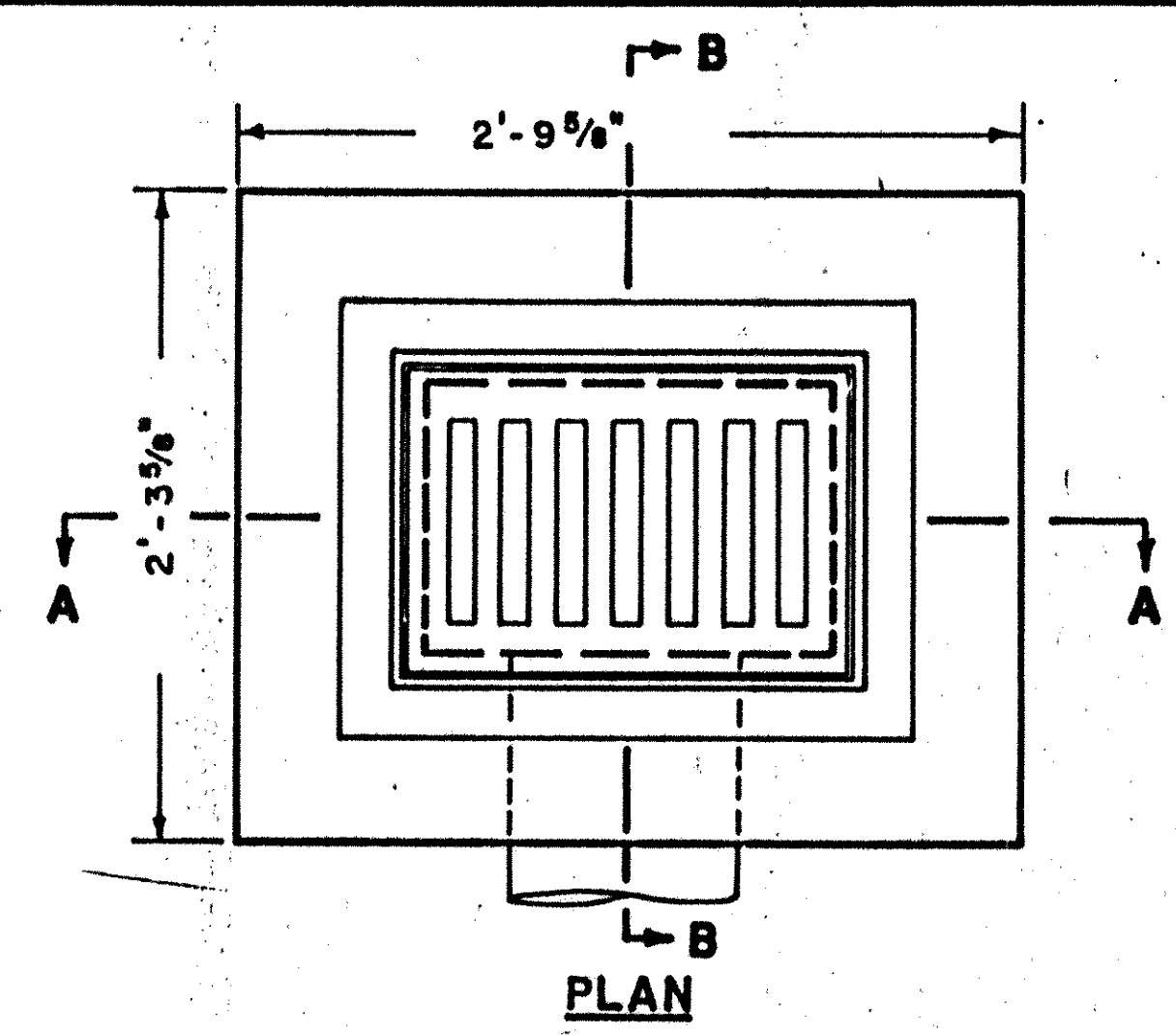
BILL OF MATERIALS				
REINFORCING STEEL	BENT BARS			BENDING DIAGRAM (ALL DIMENSIONS ARE OUT-OUT)
	NO.	SIZE	LENGTH MARK	
	7	5/8"	6'-6" E	
	6	5/8"	5'-11" A	
	6	5/8"	3'-4" B	
	8	5/8"	1'-9" D	
	STRAIGHT BARS			
	NO.	SIZE	LENGTH MARK	
	6	5/8"	5'-4" C	

NOTE: ALL REINFORCING STEEL TO BE INCLUDED IN UNIT PRICE BID FOR CATCH BASIN.

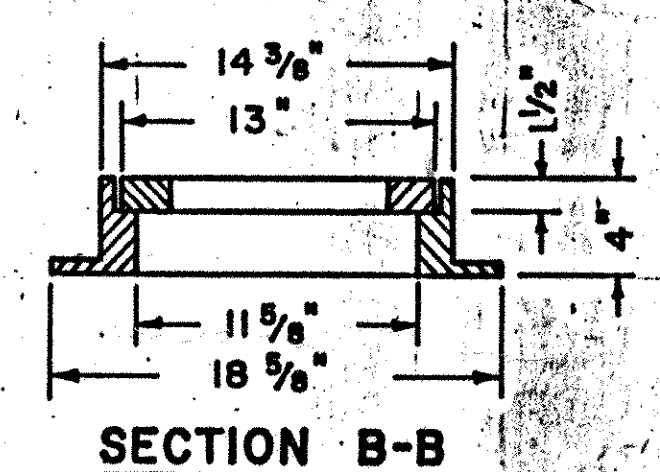
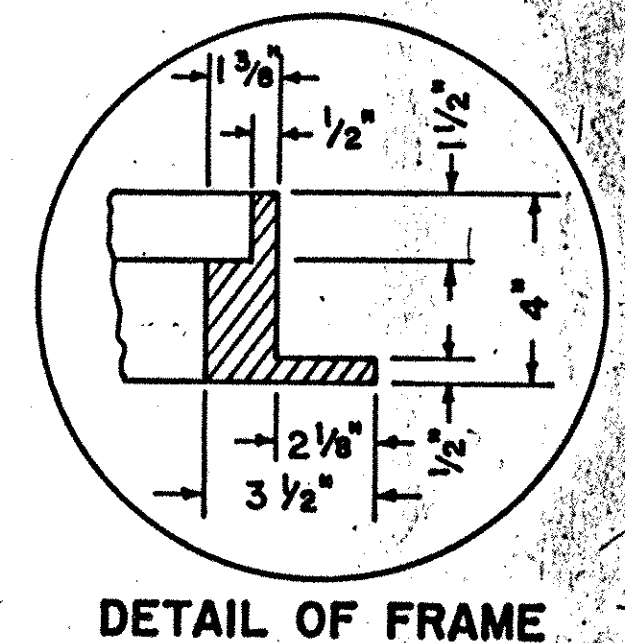
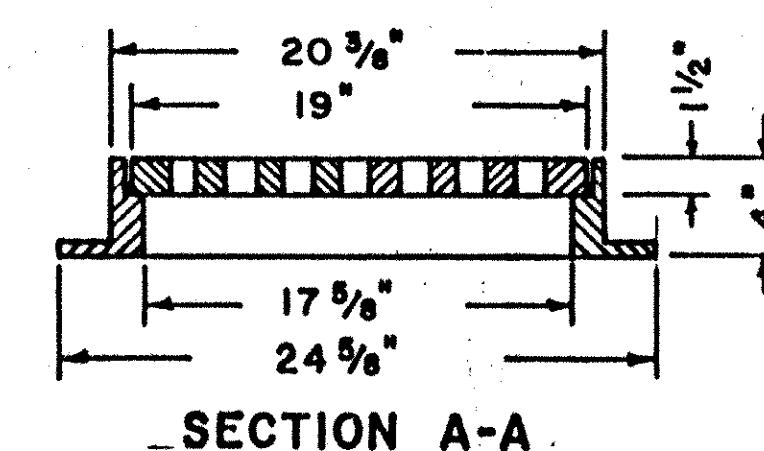
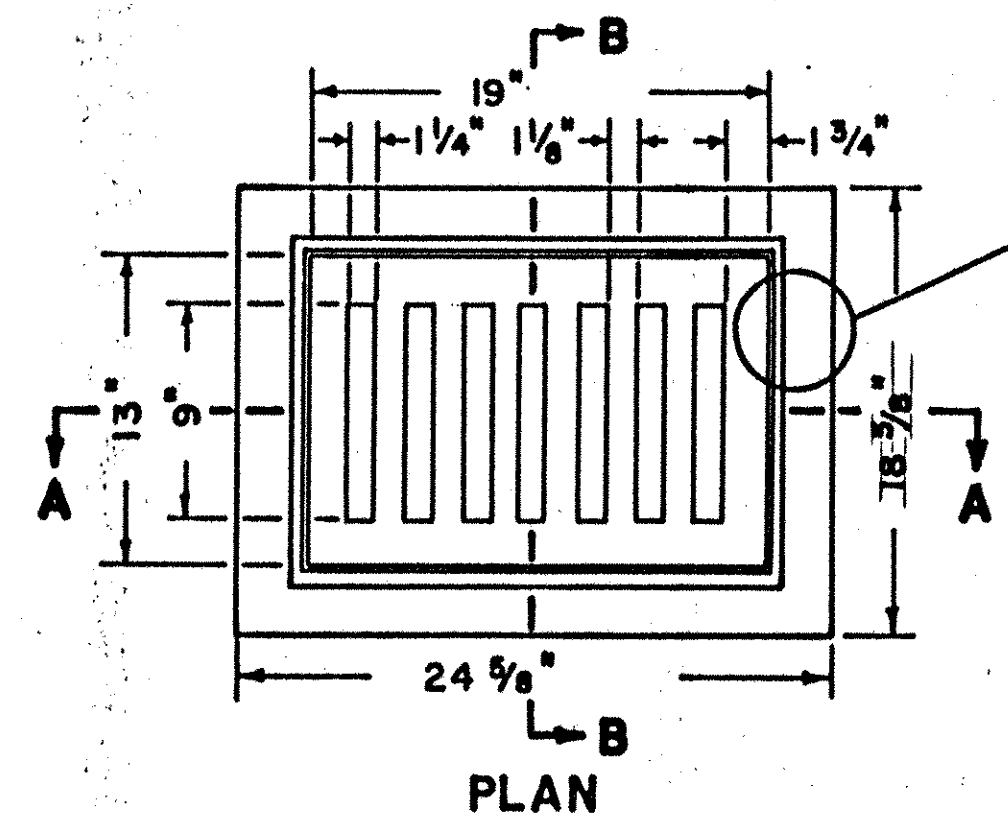


A-A CATCH BASIN

A-A CATCH BASIN FRAME AND GRATE MAY BE DEPRESSED 1/2" BELOW POSITION SHOWN, WHEN DIRECTED.



LAWN CATCH BASIN



FRAME AND GRATE

APPROX. WT. : FRAME & GRATE 160 LBS.

COUNTY	CONTRACT	P.E.A. RES. NO.	STATE	FED. AID PROJECT NO.	SHEET NO.	TOTAL SHEETS
		2	DEL.		122	128
STANDARD SHEET D-8-6						
CATCH BASINS A-A & LAWN						
PREL. TRACING	J.T.B.	DESIGN	E.L.W.	CHKD.	Y.N.C.	
REVISIONS						
1.	ADDED LAWN CATCH BASIN.	9-25-70	J.T.B.			
2.	NOTE ADDED CONSTRUCT OF BRICK OR CONC.	1-27-71	Y.N.C.			
3.	10/25/74, NOTE REFERRING TO STANDARD SHEET D-1, R.T.C.					
4.	ADDED FRAME & GRATE NOTE 12-5-75 R.F.R.					
5.	ADDED PRECAST NOTE 1-31-77 R.F.R.					
6.	ADDED STEP NOTE 1-30-81 R.F.R.					
APPROVED: <i>[Signature]</i> 6-23-70						
DIRECTOR OF OPERATIONS DATE						
DEPUTY DIRECTOR - CHIEF ENGINEER 6/22/70						
DATE						