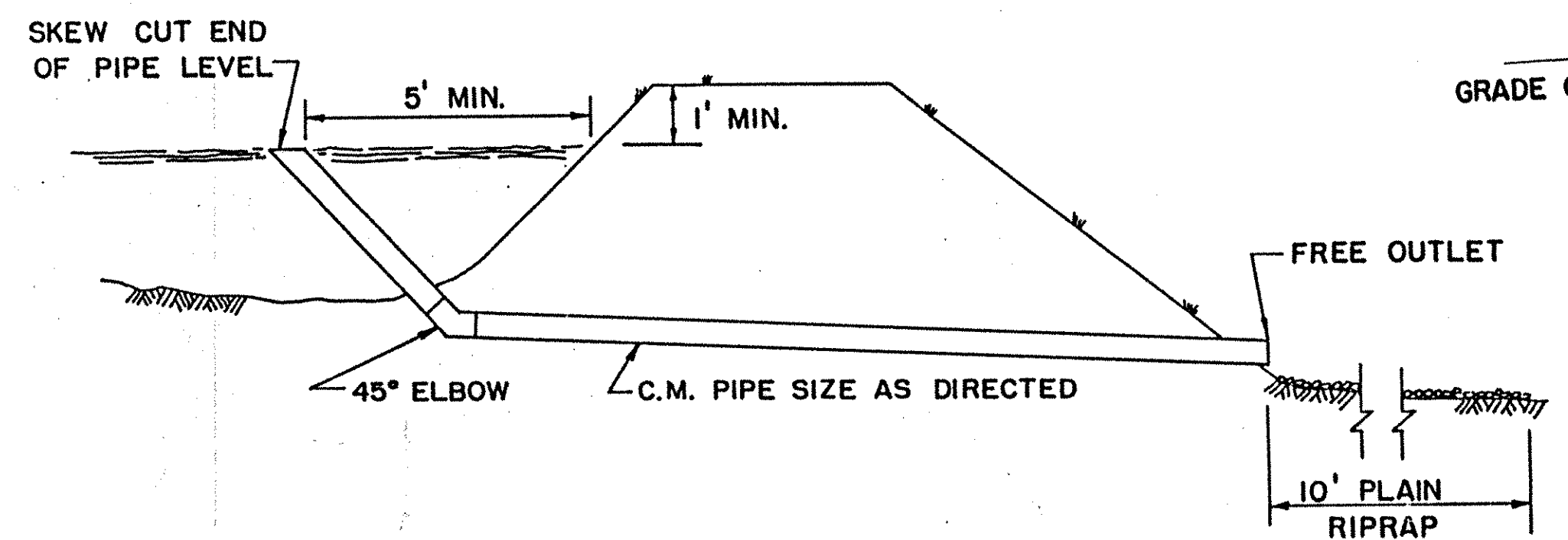
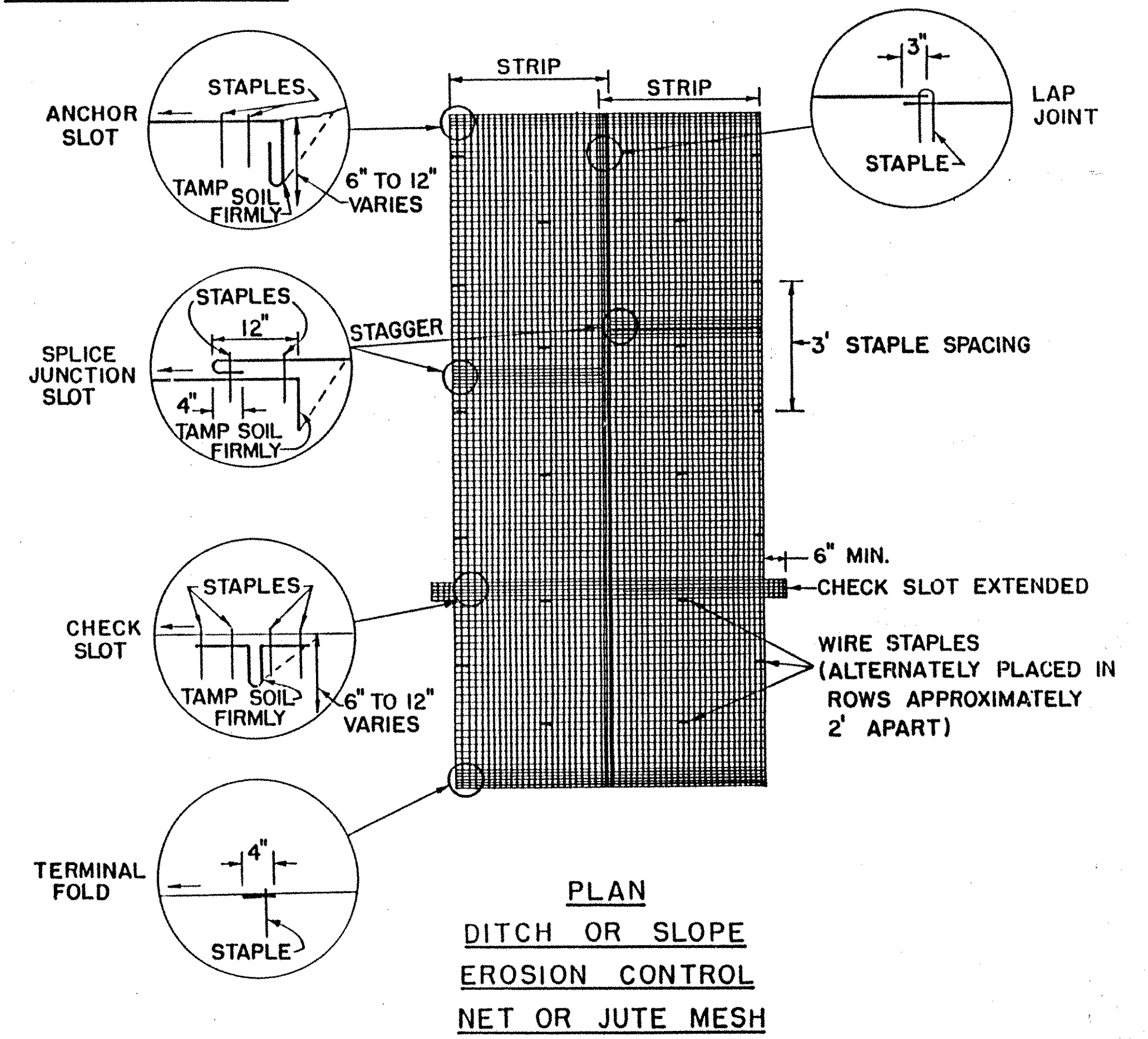
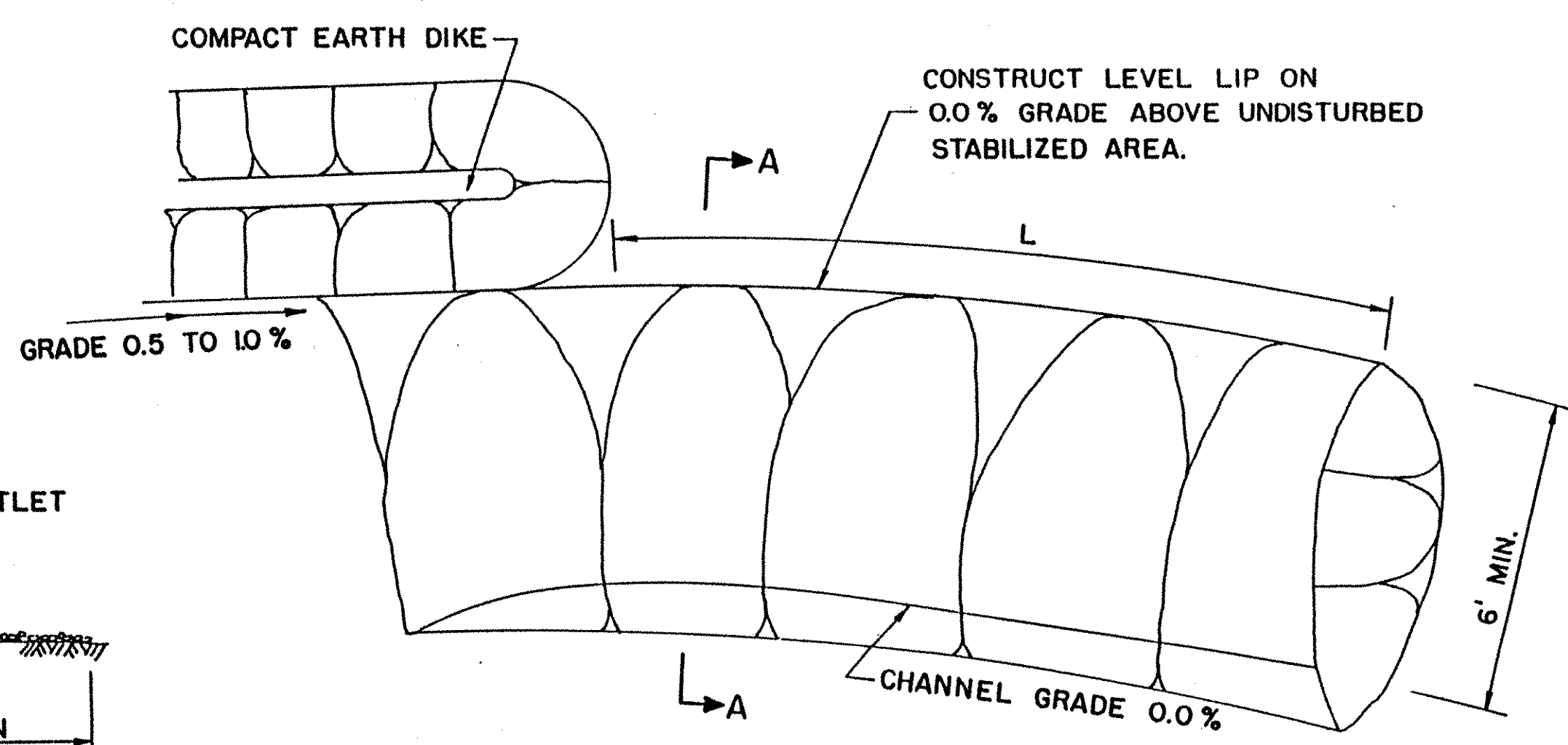


NOTE:  
 1. DIKES MUST BE MACHINE COMPACTED  
 2. DIKES MUST HAVE A POSITIVE GRADE DRAINING TO A STABILIZED OUTLET.



NOTE:  
 TOP OF RISER PIPE SHALL BE PERFORATED WITH 2 ROWS OF 1 1/2" DIAMETER HOLES DRILLED IN A HORIZONTAL PLANE ON 10" CENTERS SPACED 8" VERTICALLY.



NOTES:  
 1. LEVEL SPREADERS MUST BE CONSTRUCTED ON UNDISTURBED SOIL.  
 2. ENTRANCE MUST BE GRADED TO INSURE THE FLOW ENTERS DIRECTLY INTO THE 0.0% GRADED CHANNEL.

C.F.S.	L
0 TO 10	15'
11 TO 20	20'
21 TO 30	26'
31 TO 40	36'
41 TO 50	44'

**LEVEL SPREADER**

