

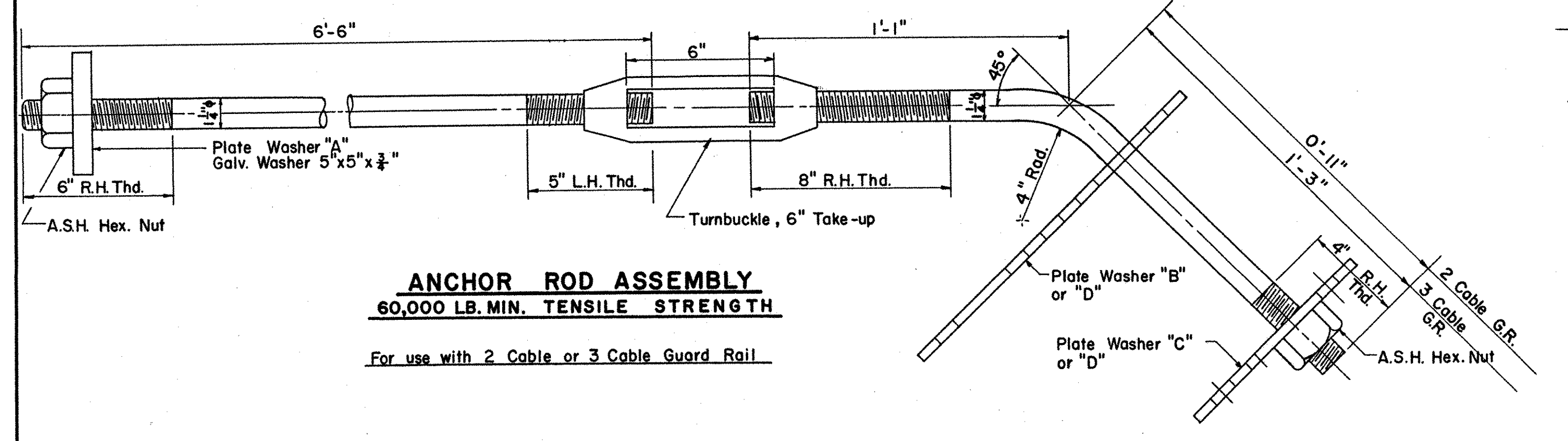
## STANDARD SHEET "G-1"

### 3 CABLE GUARD RAIL & ATTACHMENTS FOR GUARD RAIL

REVISIONS:  
CHANGED SECTION NUMBER FOR END POST ATTACHMENTS TO SECTION 717. 5-22-72 J.T.B.

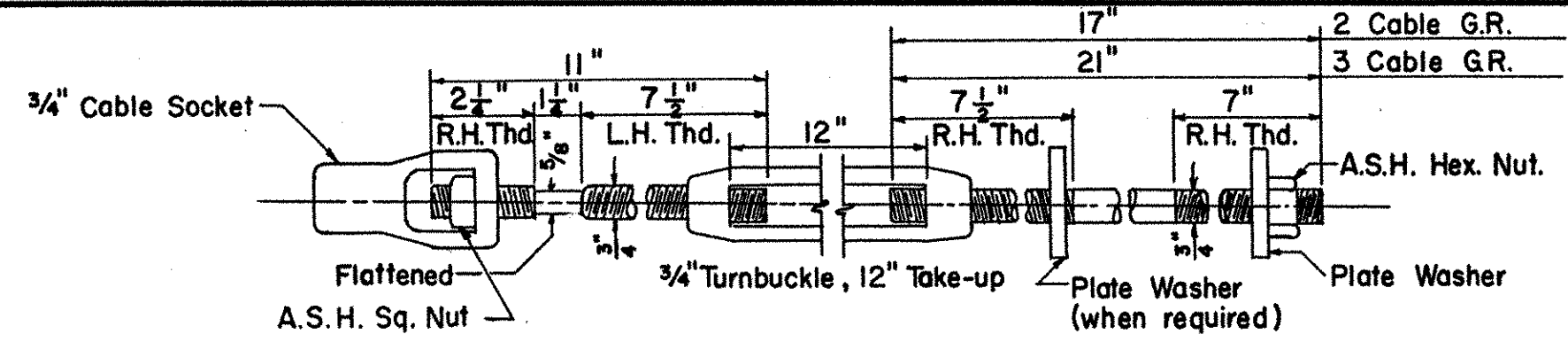
APPROVED *[Signature]* 6-22-70  
DIRECTOR OF OPERATIONS DATE

*[Signature]* 6/22/70  
DEPUTY DIRECTOR-CHIEF ENGINEER DATE



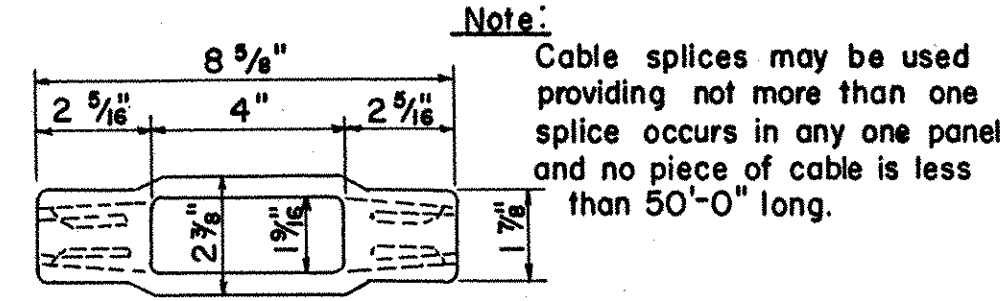
**ANCHOR ROD ASSEMBLY**  
60,000 LB. MIN. TENSILE STRENGTH

For use with 2 Cable or 3 Cable Guard Rail

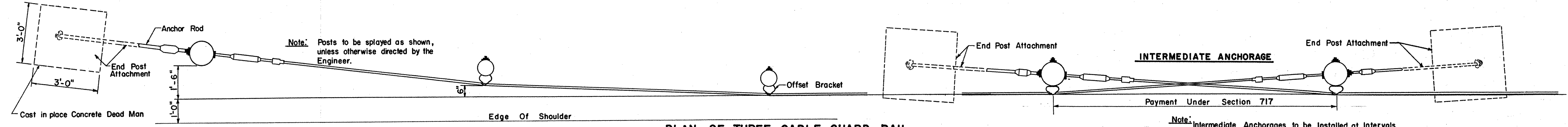


**CABLE END ANCHOR**  
25,000 LB. MIN. TENSILE STRENGTH

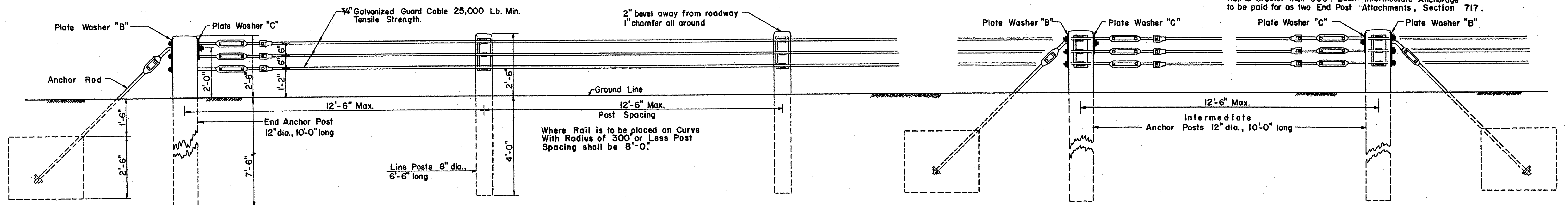
No Scale  
For use with 2 Cable or 3 Cable Guard Rail



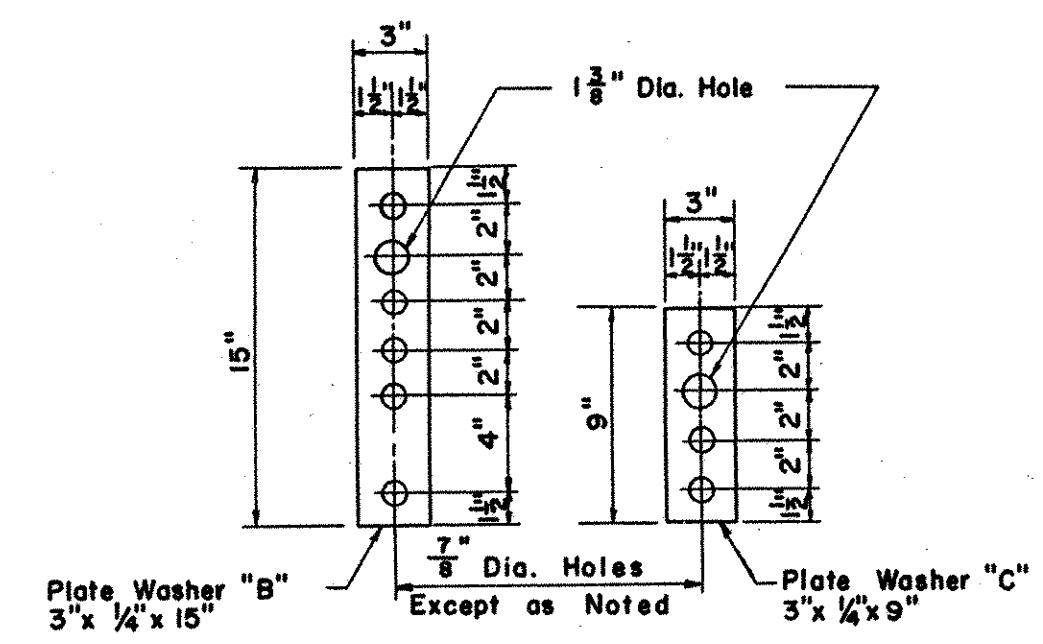
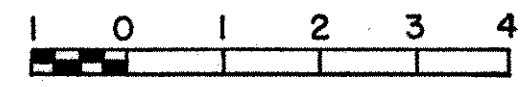
**3/4 CABLE SPLICE**  
25,000 LB. MIN. TENSILE STRENGTH



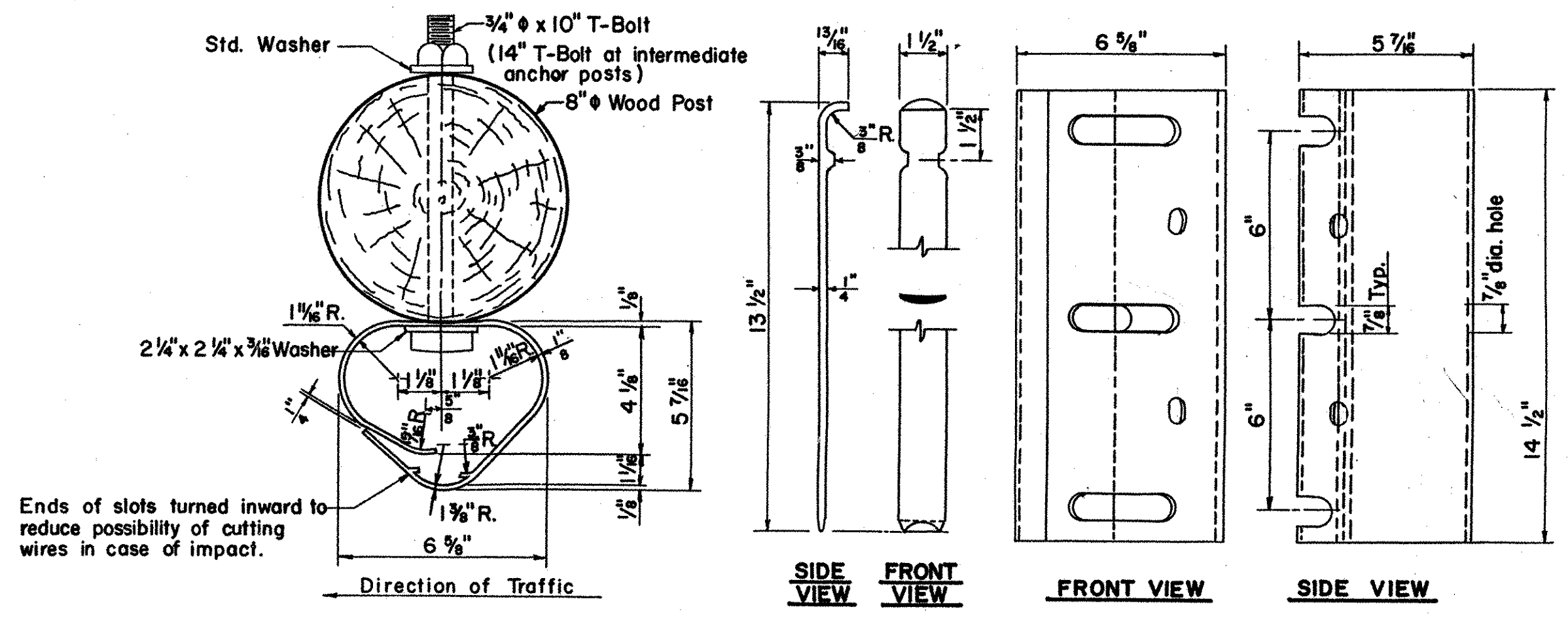
**PLAN OF THREE CABLE GUARD RAIL**



**ELEVATION OF THREE CABLE GUARD RAIL**



**GALVANIZED STEEL PLATE WASHERS FOR 3 CABLE GUARD RAIL**



**PLAN OF OFFSET BRACKET AND POST ASSEMBLY**

**OFFSET ATTACHMENT FOR 3 CABLE GUARD RAIL**



CHECKED  
GRADE  
ELEVATIONS  
TIE POINTS  
BENCH MARKS  
EARTHWORK  
DRAINAGE

REVISIONS