

COUNTY	CONTRACT	F.R.A. REG. NO.	STATE	FED. AID PROJECT NO.	SHEET NO.	TOTAL SHEETS
			DEL.		2	

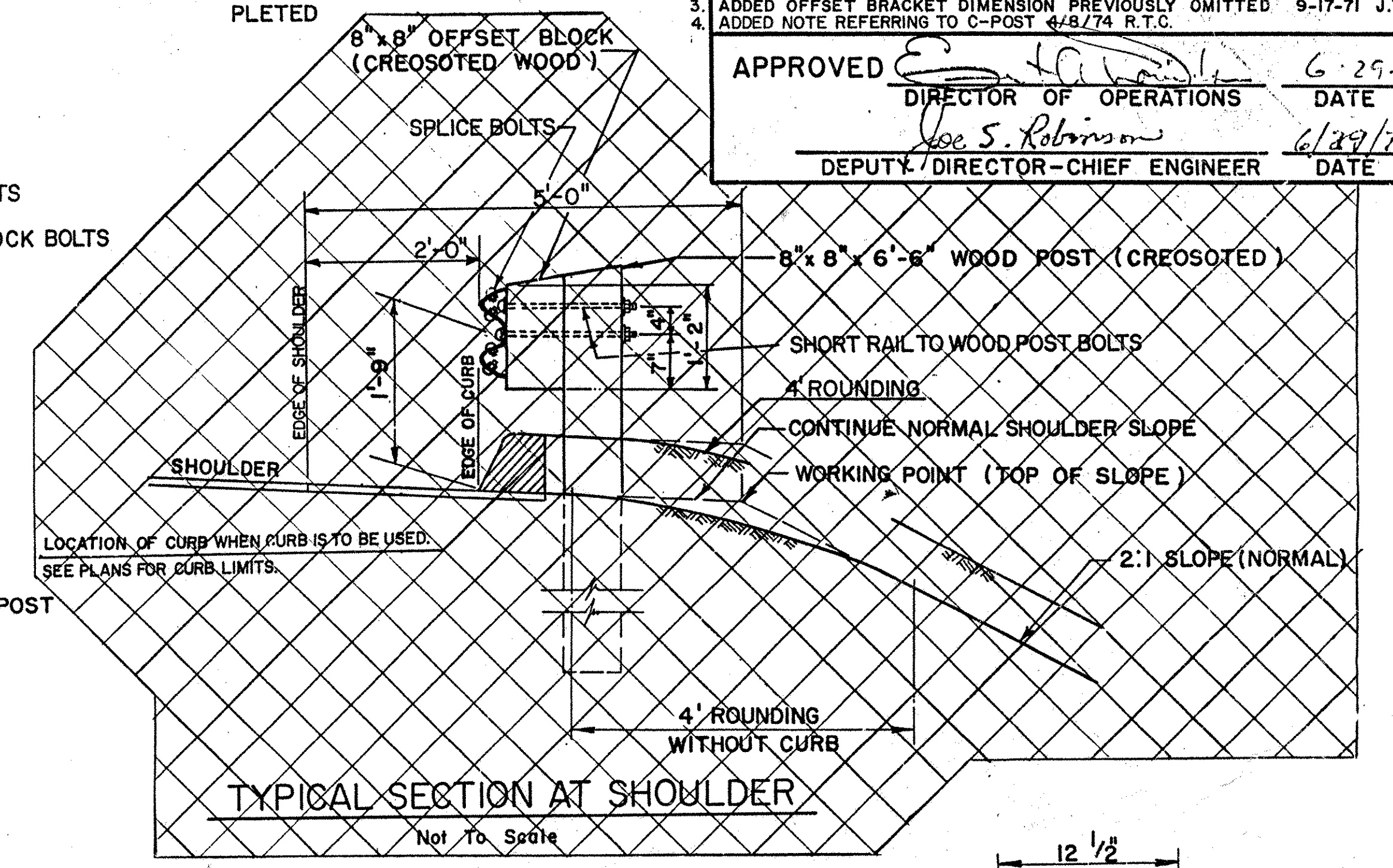
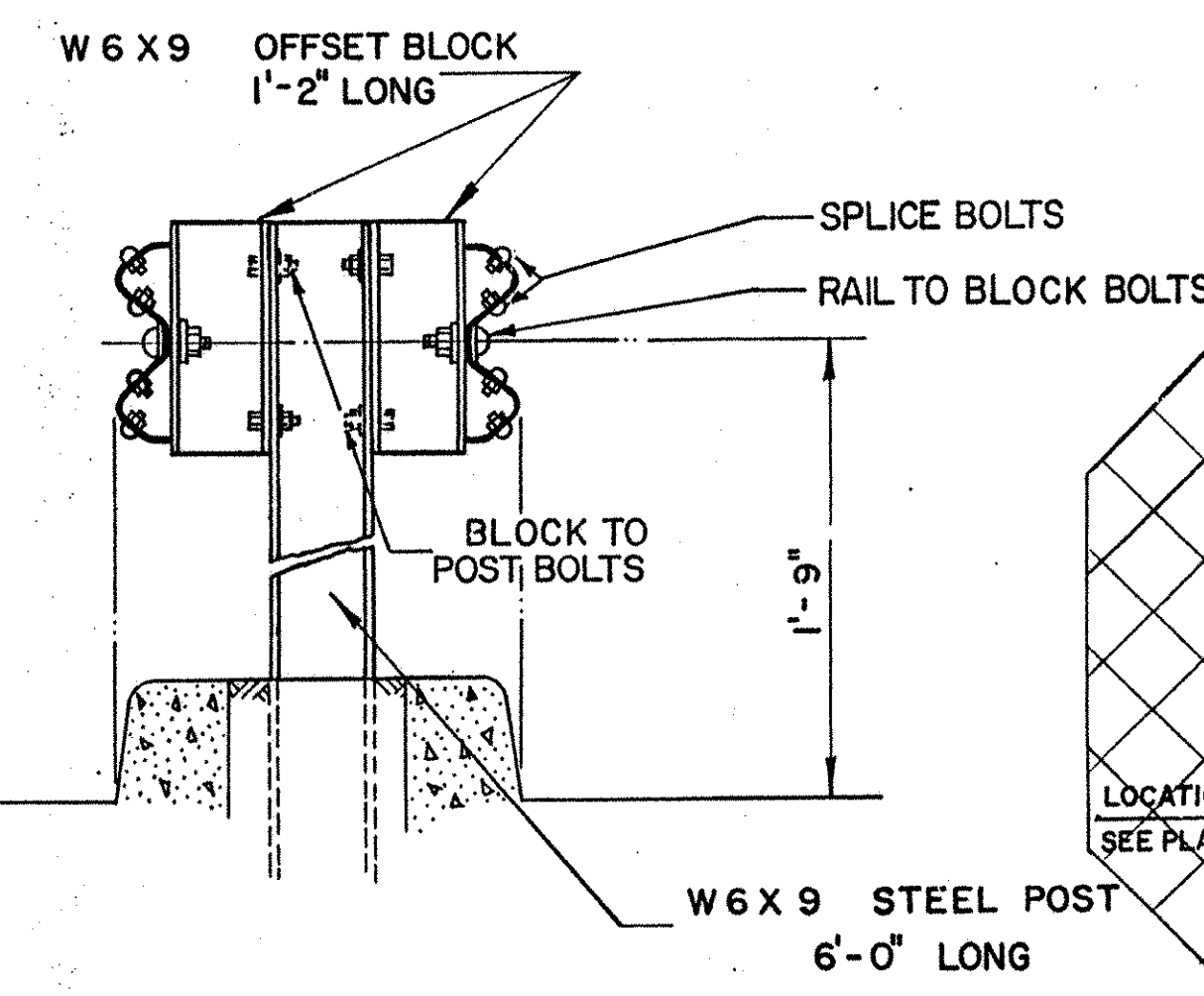
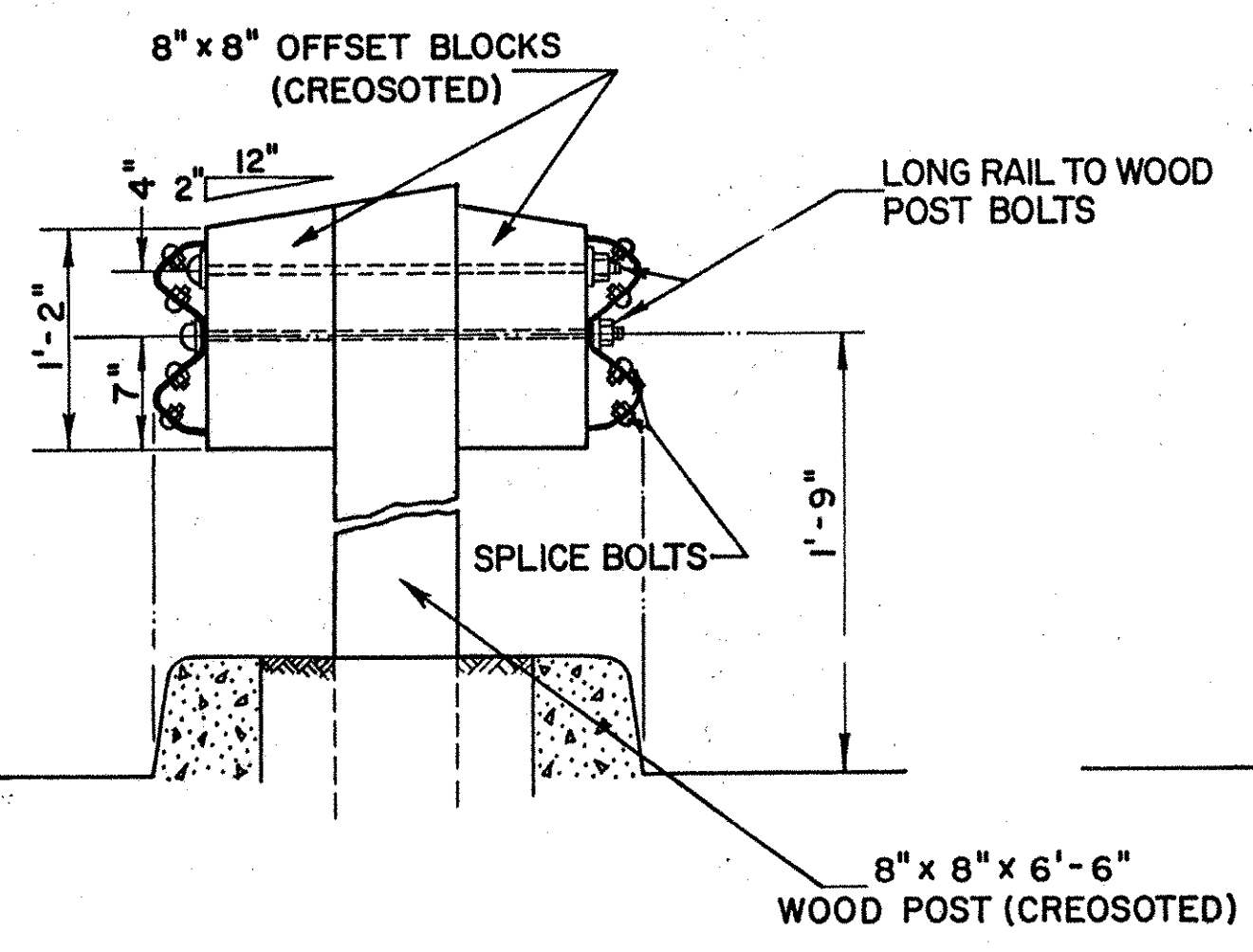
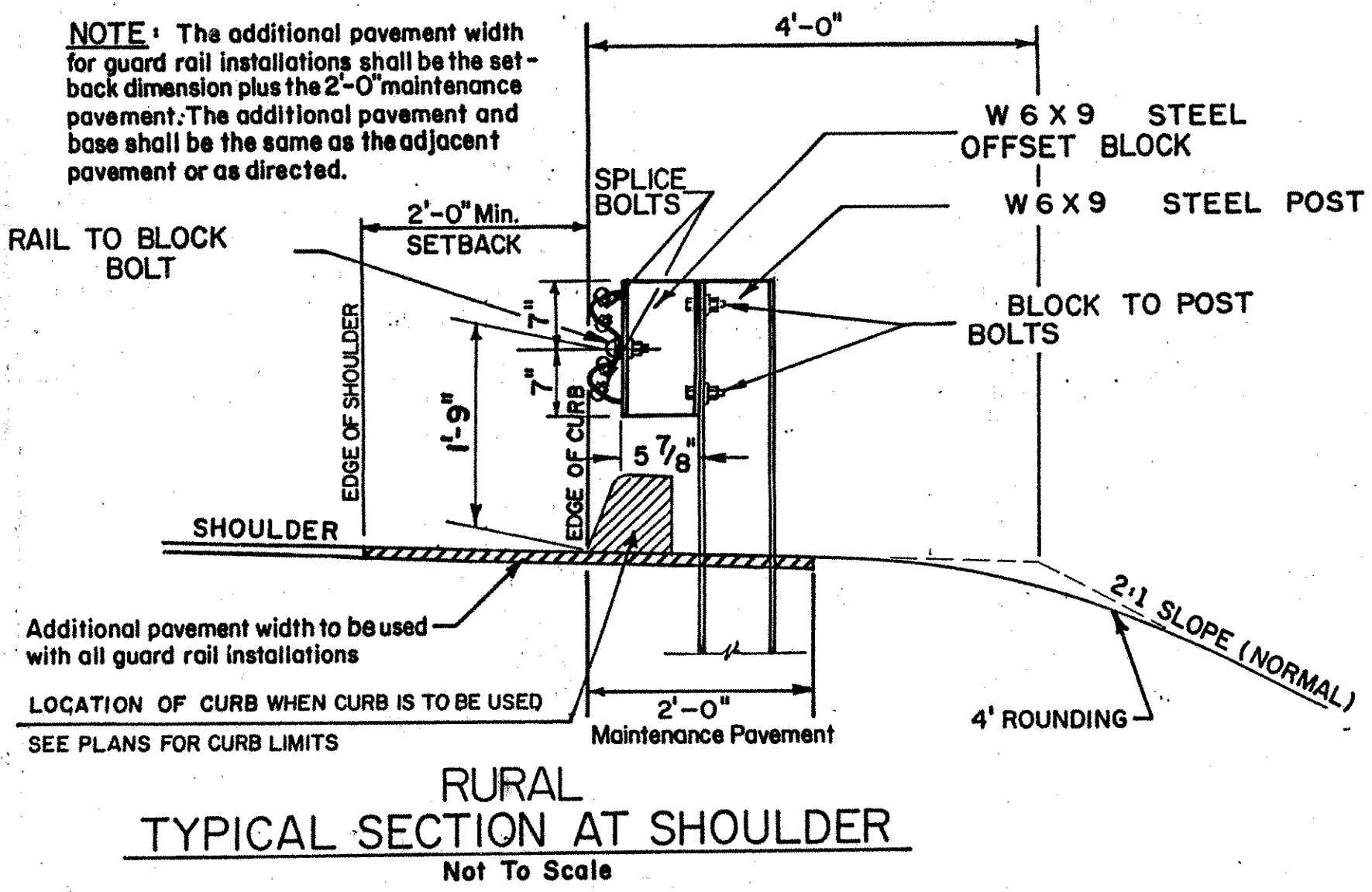
STANDARD SHEET G-2-9
STEEL BEAM GUARDRAIL WOOD AND STEEL POST DETAILS

PREL. TRACING J.W. DESIGN CHKD. E.L.W.

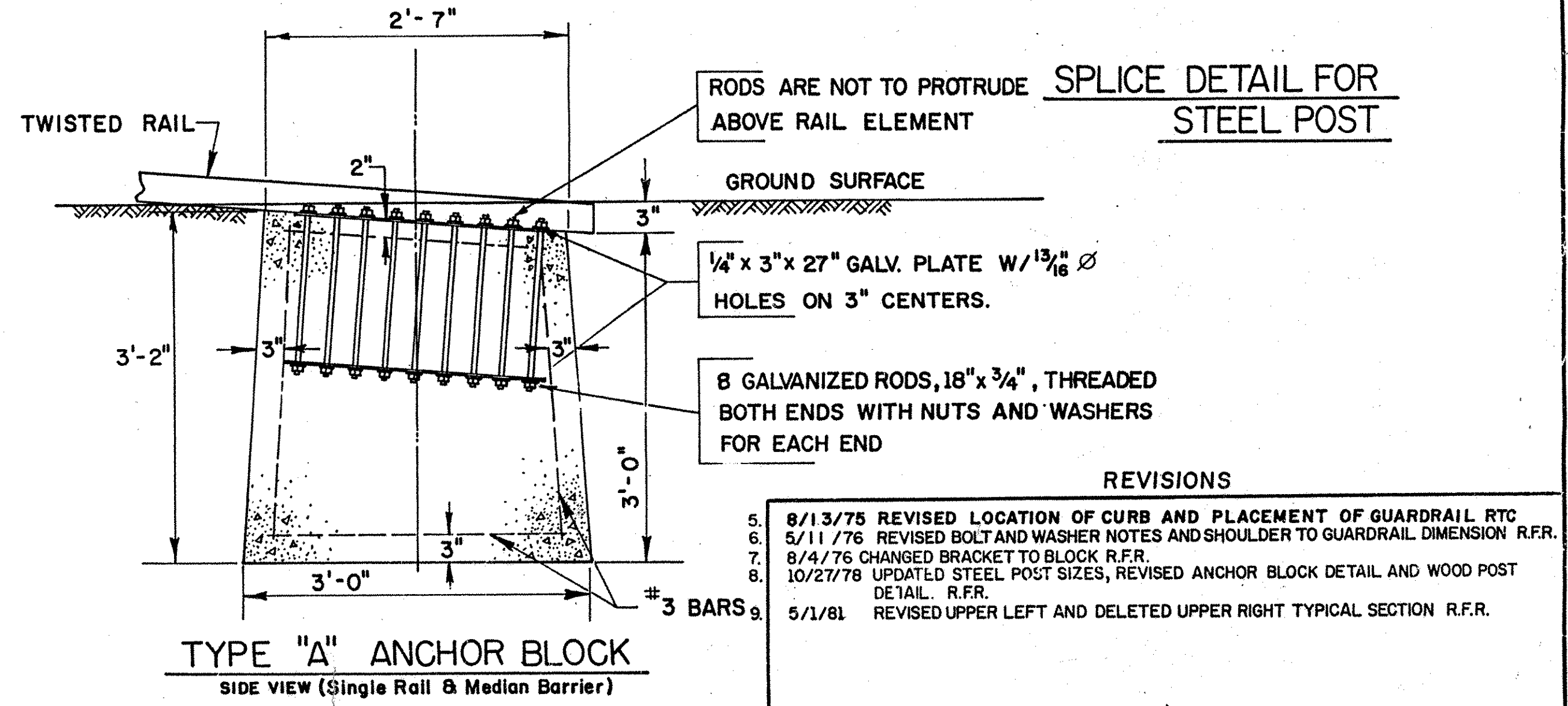
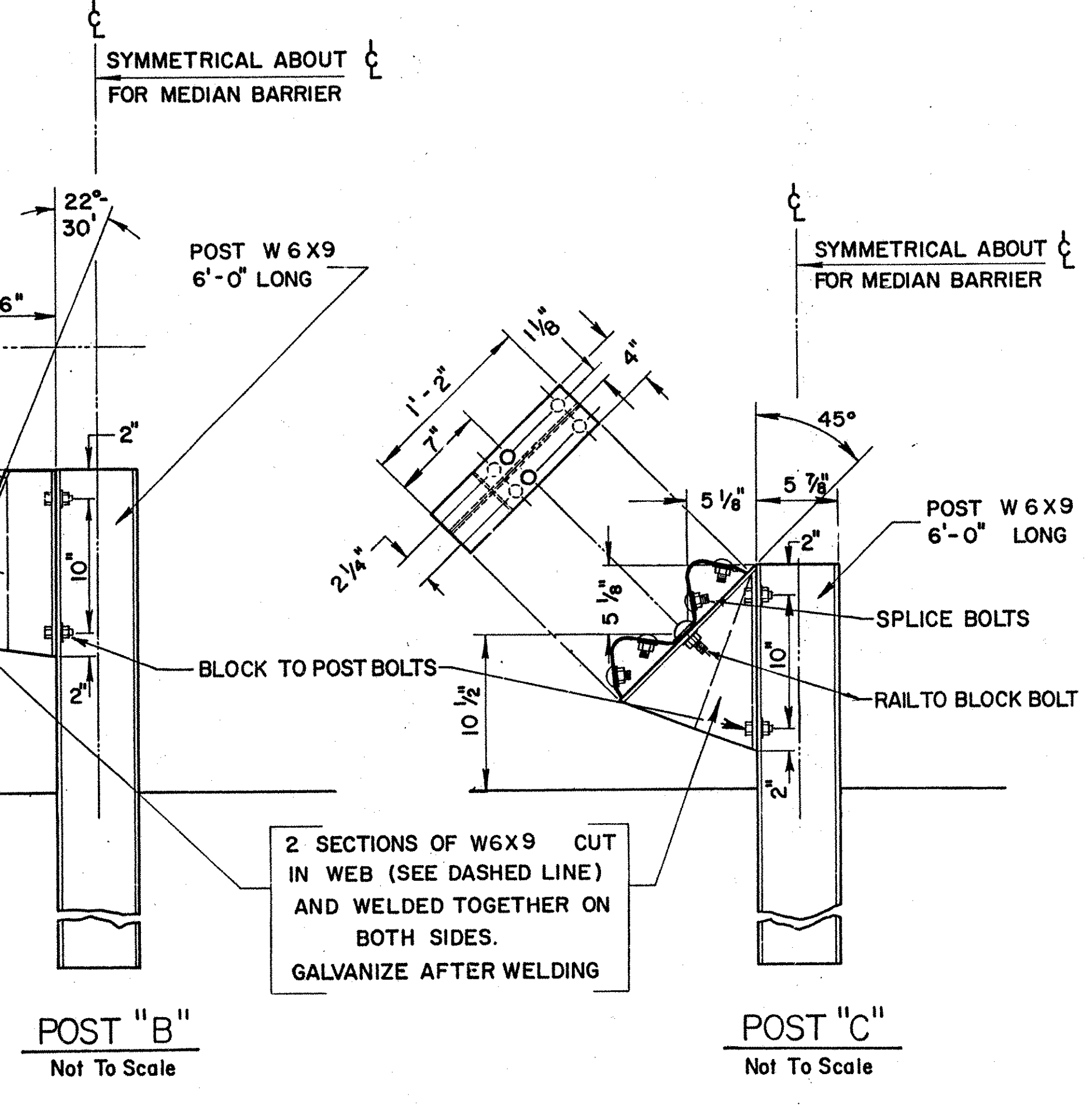
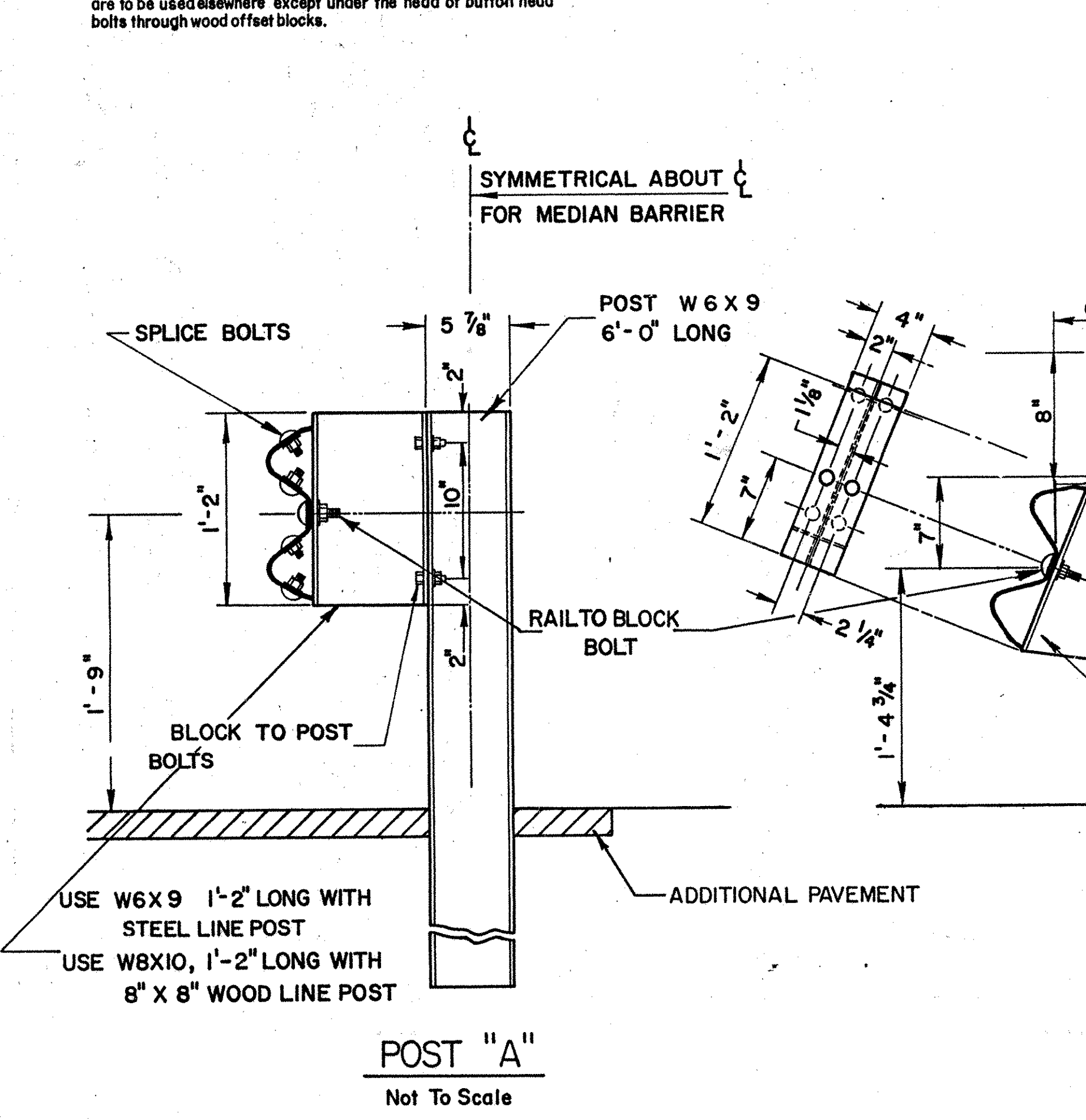
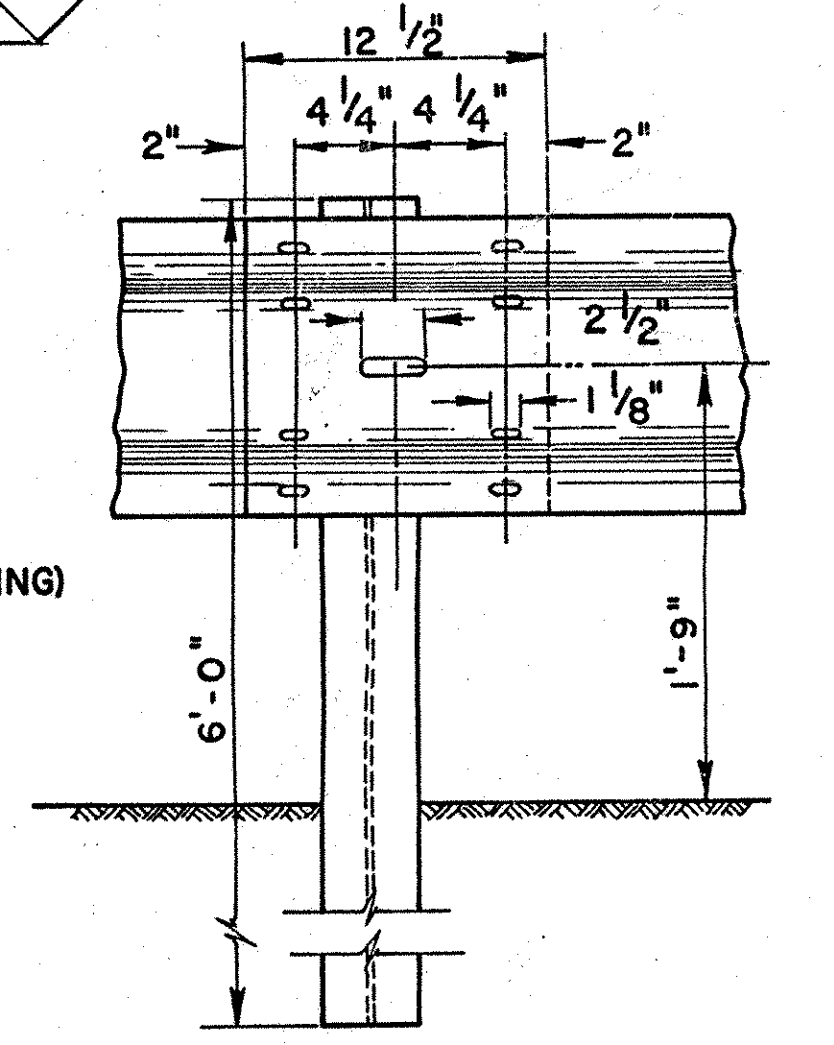
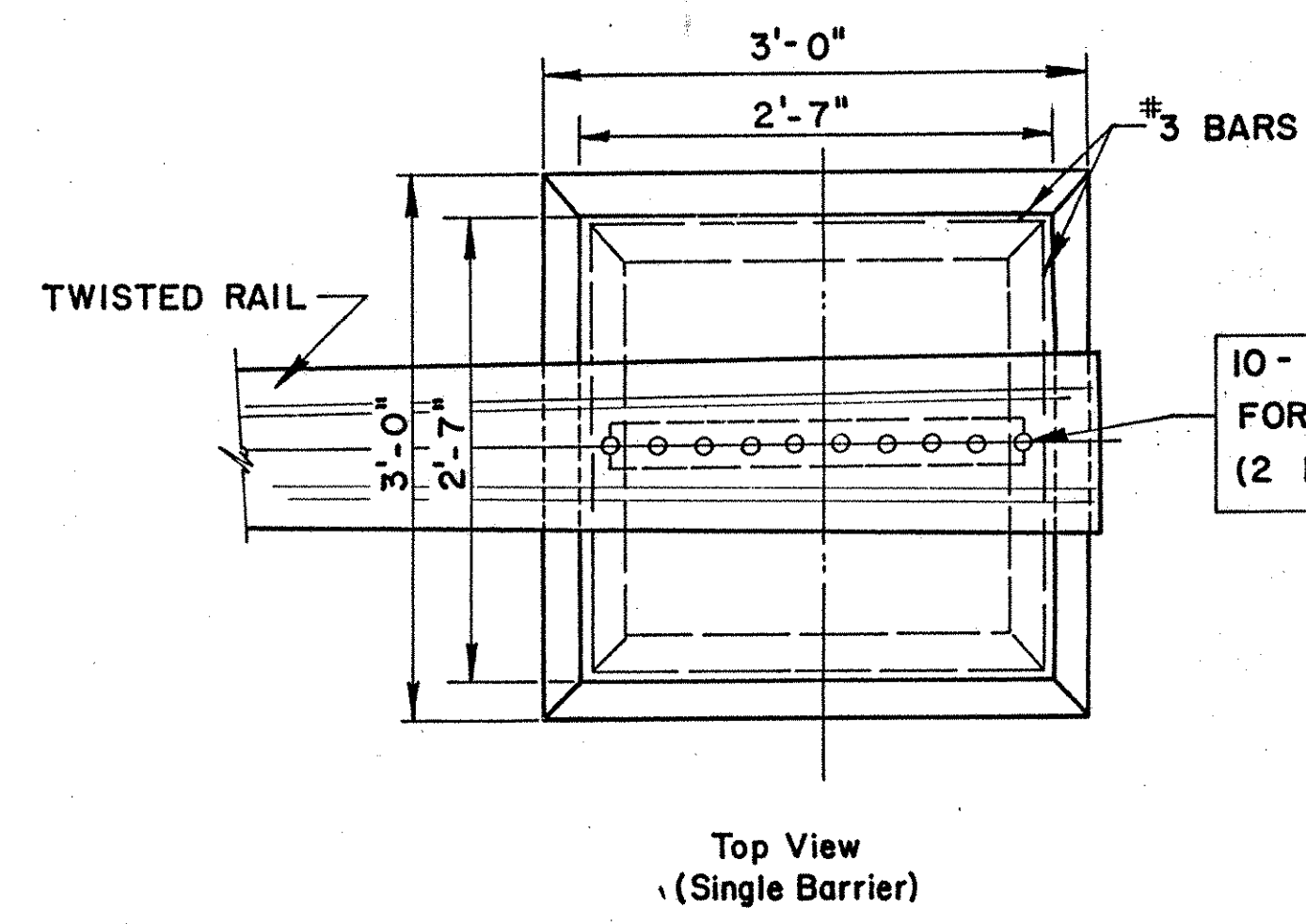
REVISED 8-13-70 J.T.B.
 4/1/71 NOMENCLATURE CHANGES FOR A.I.S.C. SPEC., D.M.E.
 3. ADDED OFFSET BRACKET DIMENSION PREVIOUSLY OMITTED 9-17-71 J.T.B.
 4. ADDED NOTE REFERRING TO C-POST 4/8/74 R.T.C.

APPROVED *[Signature]* 6-29-74 DATE
 DIRECTOR OF OPERATIONS
[Signature] 6/29/70 DATE
 DEPUTY DIRECTOR-CHIEF ENGINEER

NOTE: ALL WOOD POST DIMENSIONS ARE NOMINAL
 TRANSITION GUARDRAIL 1 FT. IN 37.5 FT. WHEN PASSING FROM CURBED SECTION TO SECTION WITH NO CURB.
 SEE STANDARD SHEET G-4 FOR ALT. 6" C-STRONG POST DETAIL.
 THREADS OF ALL BOLTS SHALL BE BURRED AFTER GUARDRAIL INSTALLATION IS COMPLETED



WASHER INSTALLATION NOTES:
 (See standards sheet G-4 for washer details)
 ONE "TYPE A" WASHER SHALL BE USED UNDER -
 - The head on button head rail to block bolts
 - The head on button head long rail to wood post bolts *
 - The nut on button head long rail to wood post bolts *
 - The head on button head short rail to wood post bolts *
 ONE STEEL WASHER SHALL BE USED UNDER -
 - The nut on button head rail to block bolts
 - The head on block to steel post bolts
 - The nut on block to steel post bolts
 - The nut on button head long rail to wood post bolts *
 - The nut on button head short rail to wood post bolts
 STEEL WASHERS SHALL NOT BE USED ON SPLICE BOLTS
 * "Type A" washers to be used on long or short rail to wood post bolts only where they penetrate the guardrail. Steel washers are to be used elsewhere except under the head of button head bolts through wood offset blocks.



2 SECTIONS OF W6X9 CUT IN WEB (SEE DASHED LINE) AND WELDED TOGETHER ON BOTH SIDES. GALVANIZE AFTER WELDING

RODS ARE NOT TO PROTRUDE ABOVE RAIL ELEMENT
 GROUND SURFACE
 1/4" x 3" x 27" GALV. PLATE W/ 13/16" HOLES ON 3" CENTERS.

8 GALVANIZED RODS, 18" x 3/4", THREADED BOTH ENDS WITH NUTS AND WASHERS FOR EACH END

REVISIONS

5.	8/13/75	REVISED LOCATION OF CURB AND PLACEMENT OF GUARDRAIL	R.T.C.
6.	5/11/76	REVISED BOLT AND WASHER NOTES AND SHOULDER TO GUARDRAIL DIMENSION	R.F.R.
7.	8/4/76	CHANGED BRACKET TO BLOCK	R.F.R.
8.	10/27/78	UPDATED STEEL POST SIZES, REVISED ANCHOR BLOCK DETAIL AND WOOD POST DETAIL	R.F.R.
9.	5/1/81	REVISED UPPER LEFT AND DELETED UPPER RIGHT TYPICAL SECTION	R.F.R.