

DISTANCE FROM BEGINING OF TAPER		6.25	12.50	18.75	25.00	31.25	37.50	43.75	50.00	56.25	62.50	68.75	75.00	81.25	87.50	93.75	100.00	106.25	112.50	118.75	125.00	131.25	137.50	143.75	150.00	
END OFFSET	C=4	0.014	0.160	0.360	0.640	1.000	1.440	1.960	2.560	3.240	4.000															
	C=6	0.027	0.107	0.240	0.427	0.667	0.960	1.307	1.707	2.160	2.667	3.227	3.840	4.507	5.227	6.000										
	C=8	0.020	0.080	0.180	0.320	0.500	0.720	0.980	1.280	1.620	2.000	2.420	2.880	3.380	3.920	4.500	5.120	5.780	6.480	7.220	8.000					
	C=10	0.017	0.069	0.156	0.278	0.434	0.625	0.851	1.111	1.406	1.736	2.101	2.500	2.934	3.403	3.906	4.444	5.017	5.625	6.267	6.944	7.656	8.403	9.184	10.000	

TABLE OF OFFSETS FROM TANGENT FOR PLACING GUARDRAIL TAPER

\* NOT REQUIRED IF GUARD RAIL IS ANCHORED TO OBSTRUCTION UNLESS FILL CONDITIONS WARRANT.

	LENGTH OF TWIST	LENGTH OF TAPER (AND TWIST)	MINIMUM LENGTH OF TANGENT RAIL BEFORE OBSTRUCTION	MINIMUM LENGTH OF RAIL BEYOND OBSTRUCTION *
SHOULDER INSTALLATION	25'	62'-6"	50' (TO INCLUDE CONNECTION)	25' (TO INCLUDE CONNECTION)
MEDIAN INSTALLATION	25'	150'-0"	50' (TO INCLUDE CONNECTION)	25' (TO INCLUDE CONNECTION)

COUNTY \_\_\_\_\_ CONTRACT \_\_\_\_\_ STATE \_\_\_\_\_ FED. AID PROJECT NO. \_\_\_\_\_ SHEET NO. \_\_\_\_\_ TOTAL SHEETS \_\_\_\_\_

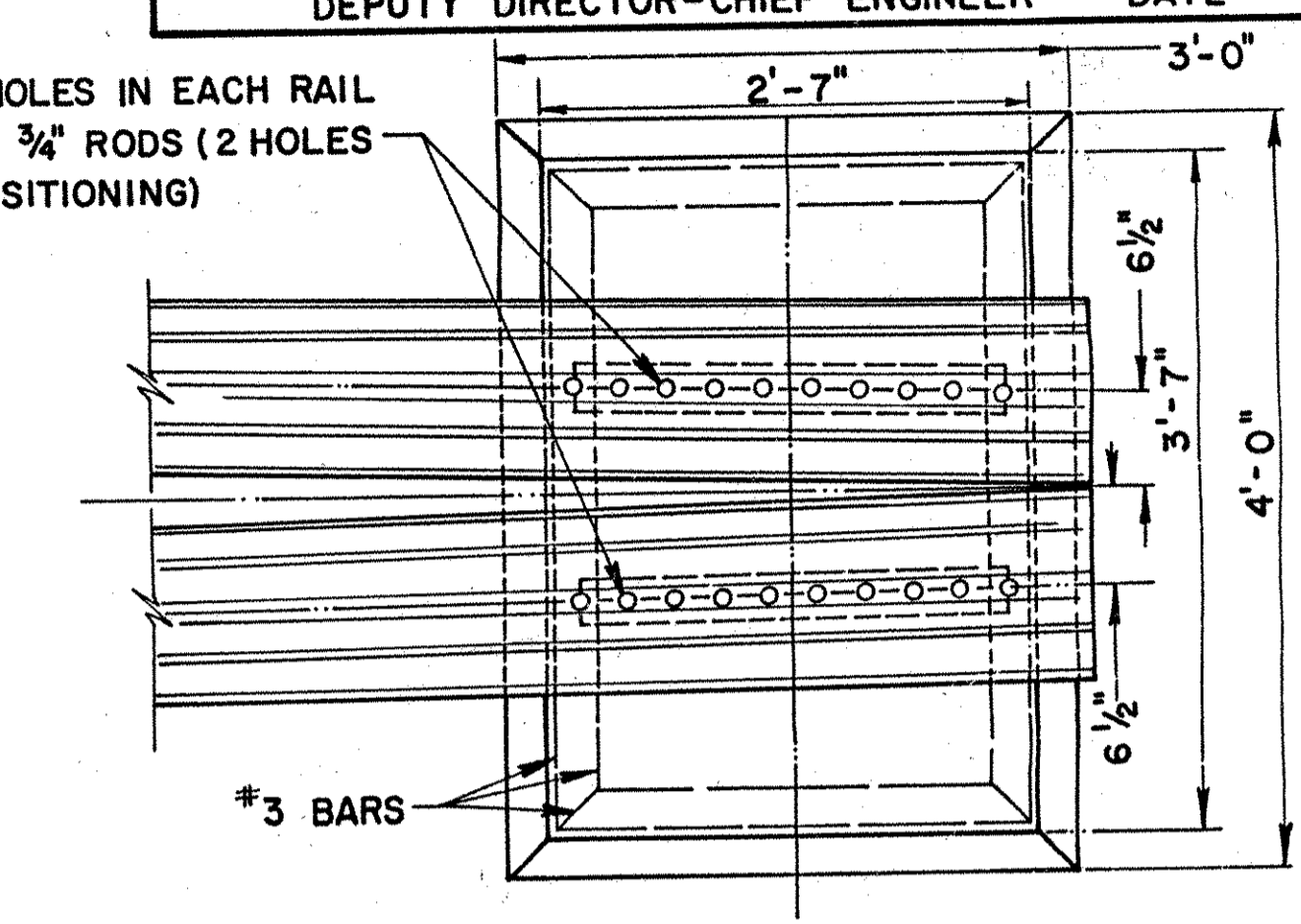
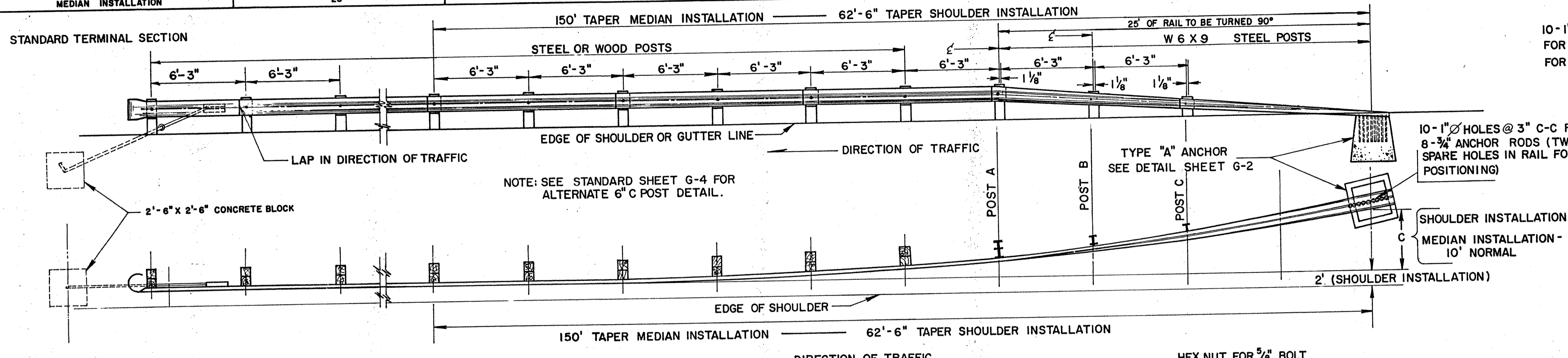
2 DEL.

**STANDARD SHEET G-3-5**  
**GUARD RAIL PLACING AND ANCHORING**

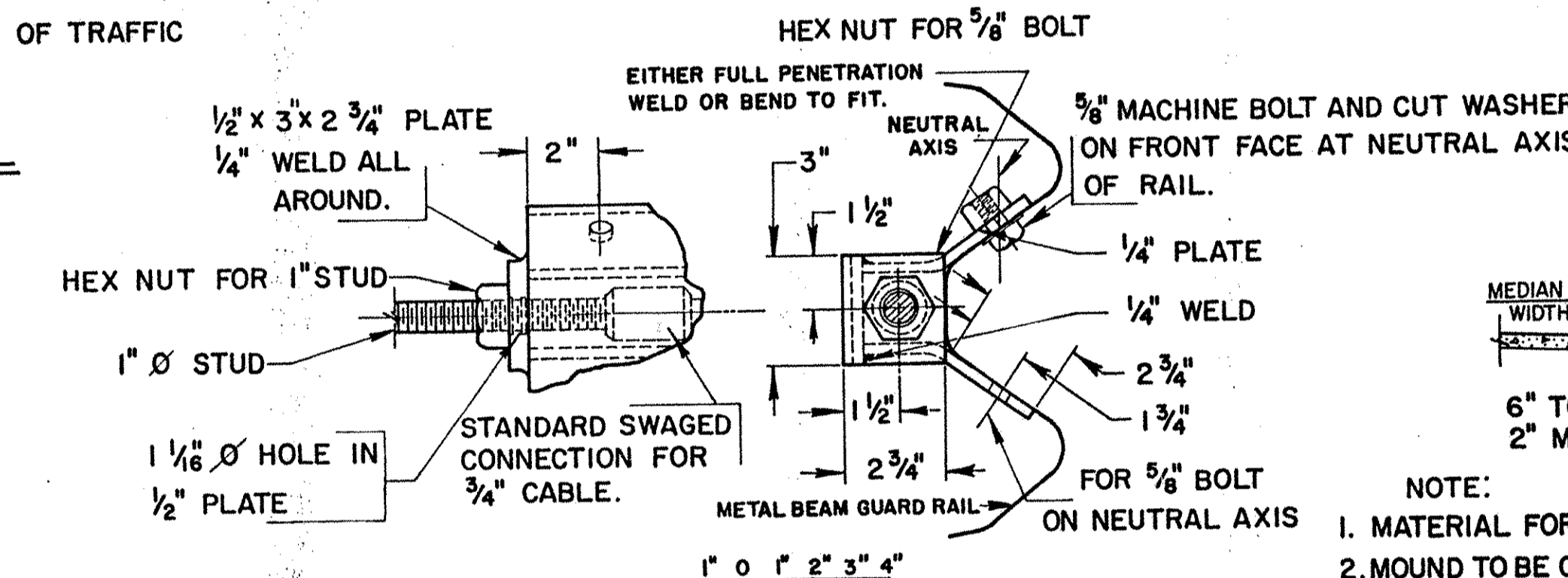
PREL. TRACING J. WHITE DESIGN E. L. W. CHKD. J. T. B.

REVISIONS  
 1. 4/1/71, NOMENCLATURE CHANGES FOR A.I.S.C. SPEC., D.M.E.  
 2. 4/8/74, ADDED NOTE REFERRING TO C-POST. R.T.C.  
 3. 8/13/75, ADDED NOTE REFERRING TO NORMAL SIDE SLOPES & REV. SHOULDER OFFSETS R.T.C.

APPROVED *[Signature]* 6-22-70  
 DIRECTOR OF OPERATIONS DATE  
*[Signature]* 6/22/70  
 DEPUTY DIRECTOR-CHIEF ENGINEER DATE

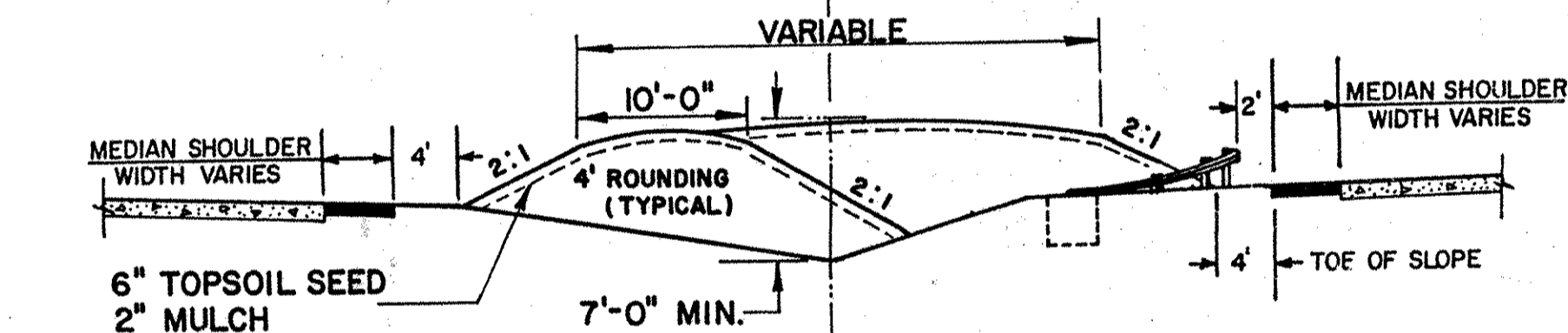


TYPICAL GUARDRAIL DETAIL

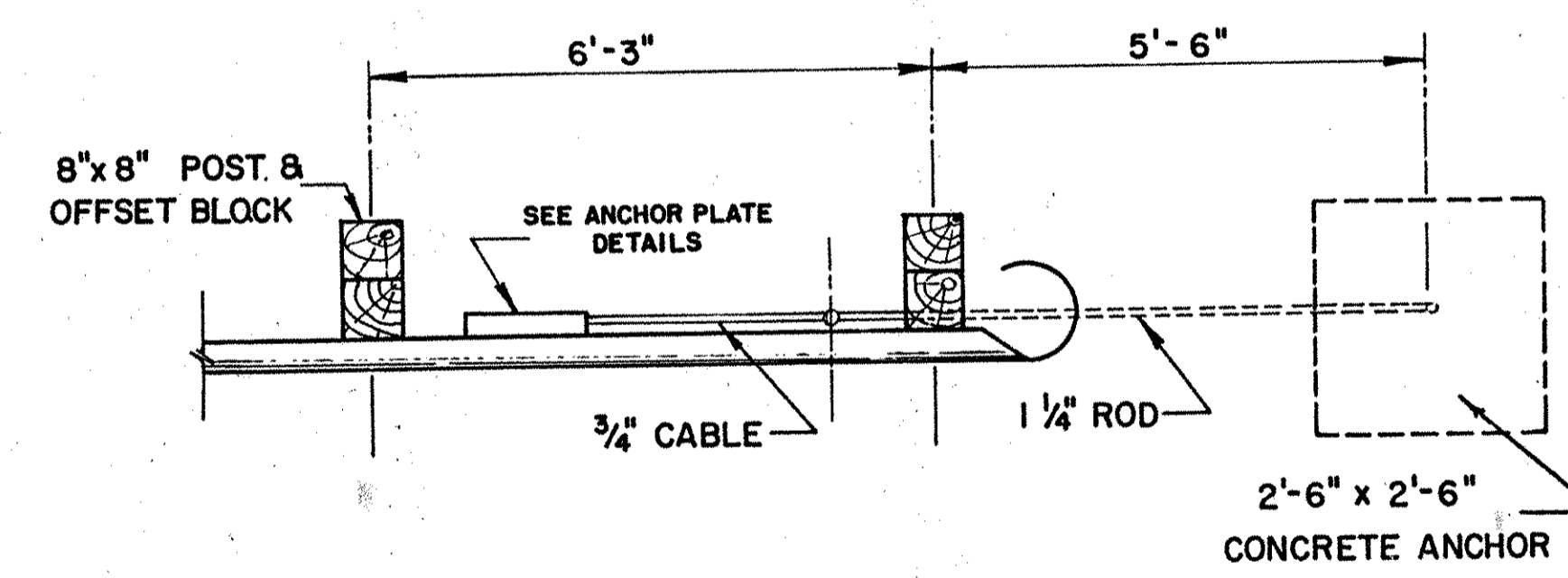


ANCHOR PLATE DETAILS

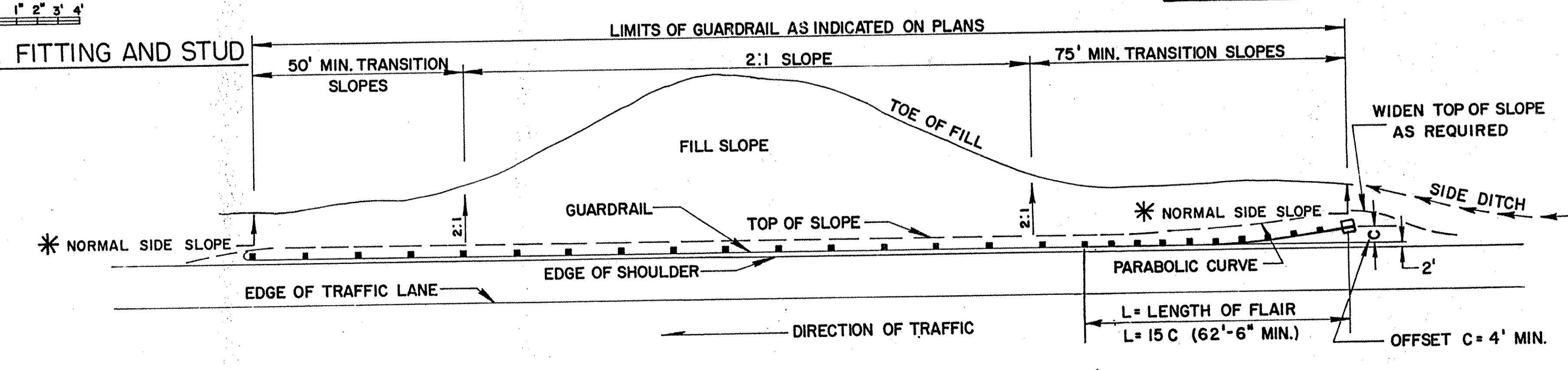
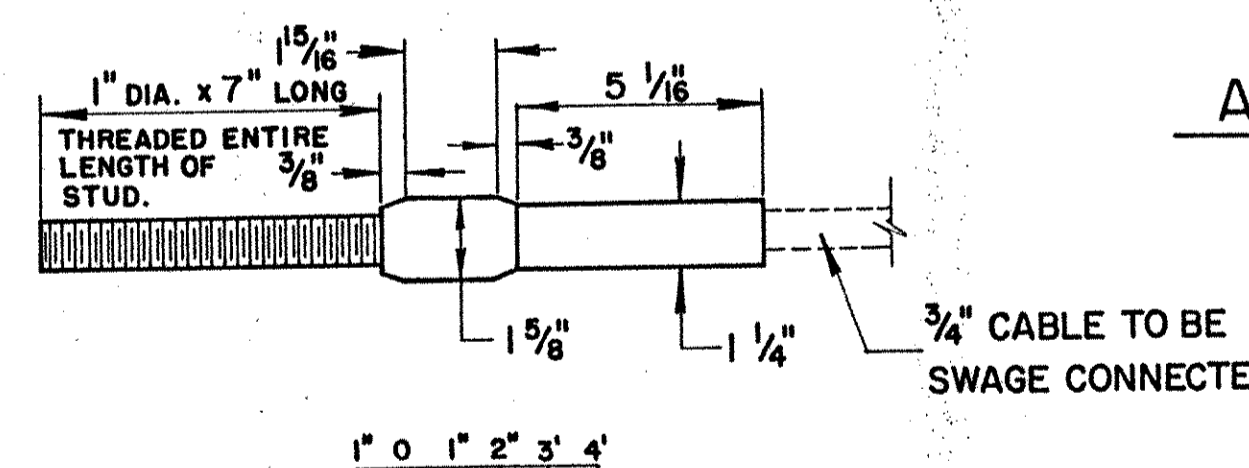
ANCHOR BLOCK (MEDIAN BARRIER) TO BE USED AT ALL MEDIAN BARRIER RAIL ENDS



MEDIAN MOUNDS



STANDARD SWAGE FITTING AND STUD



PLAN AT SHOULDER

NOT TO SCALE

END ANCHOR DETAILS BLOCKED OUT "W" BEAM

\* NORMAL SIDE SLOPES TO BE 6:1 OR 4:1 AS GIVEN ON CONTRACT PLANS.

- REVISIONS
- 4/1/76 REVISED MED. MOUND DETAILS, CLARIFIED LENGTH OF 90° RAIL TWIST AND ADDED NOTE ELIMINATING REQUIRED USE OF GUARD RAIL AFTER PARAPET WALL - R.T.C.
  - 10/27/76 UPDATED STEEL POST SIZE AND ADDED CONNECTION NOTES TO TABLE R.F.R.