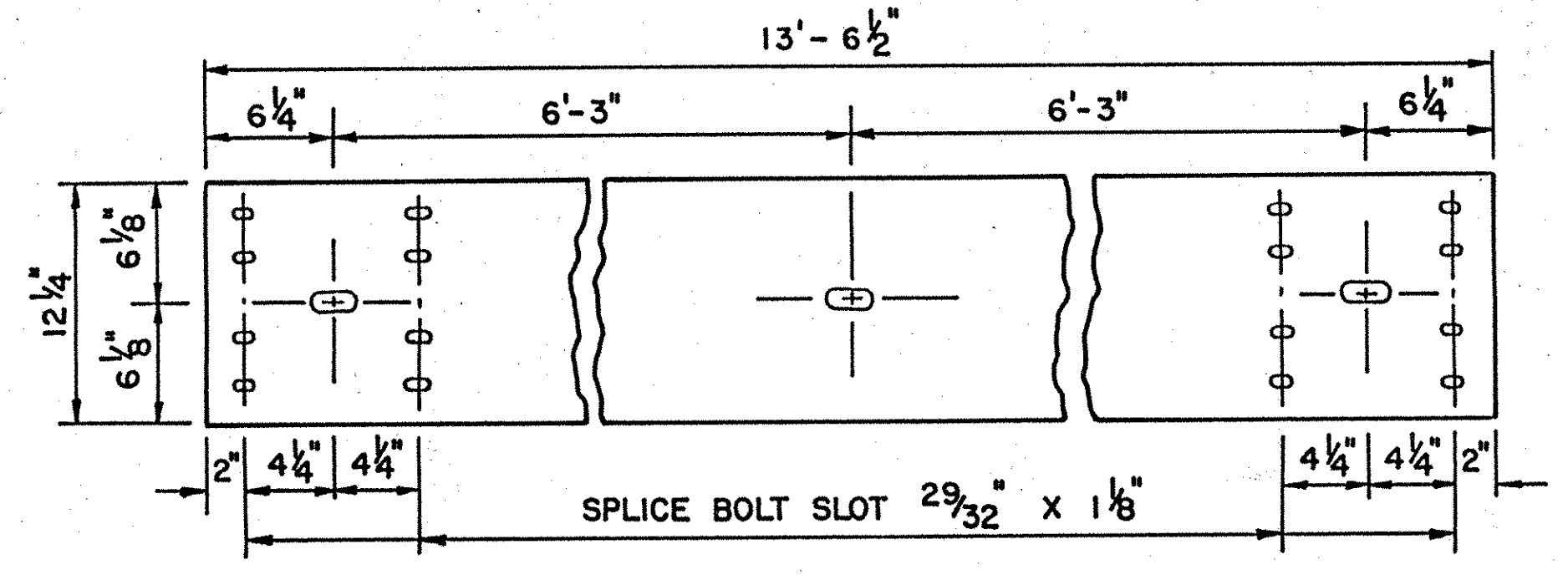
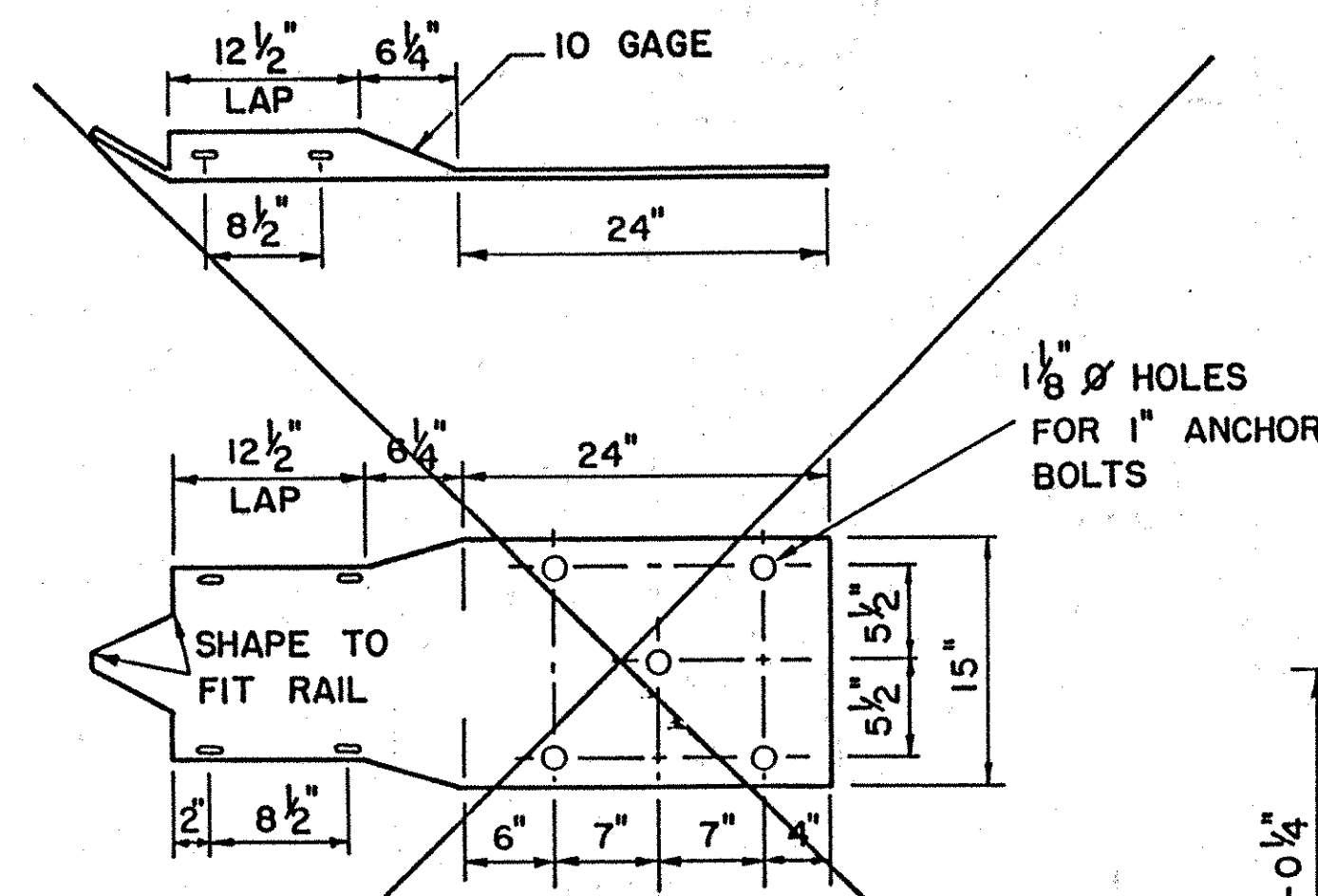


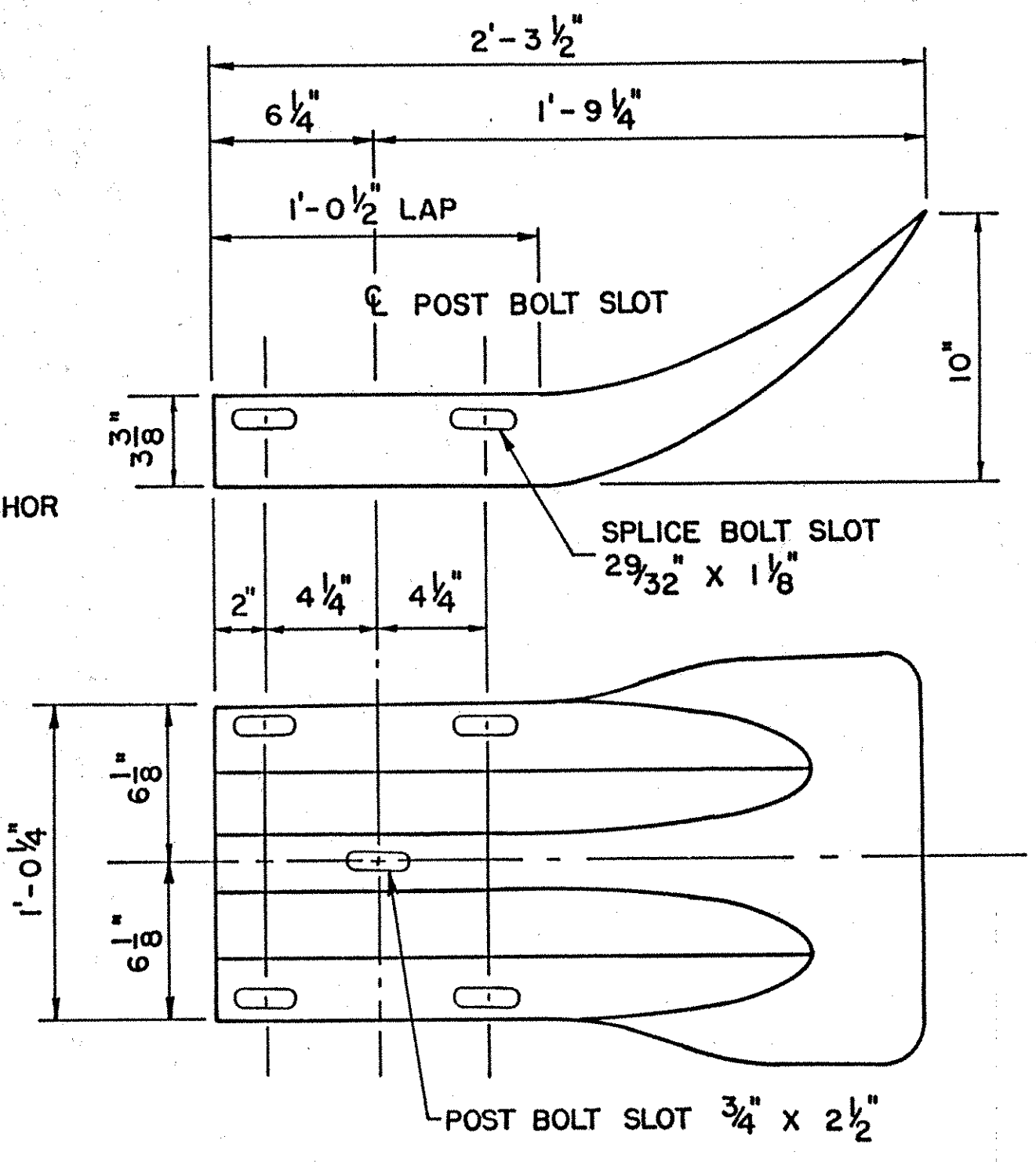
COUNTY	CONTRACT	F. R. A. REG. NO.	STATE	FED. AID PROJECT NO.	SHEET NO.	TOTAL SHEETS
		2	DEL.			
STANDARD SHEET G-5						
RAIL ELEMENTS-GALVANIZED STEEL BEAM GUARDRAIL						
PREL. TRACING Y. N. C.		DESIGN		CHKD. E. L. W.		
REVISIONS						
ADDED NOTES REFERRING TO GAGES. 10-27-71 J. T. B.						
ADDED NOTE REFERRING TO C-POST. 4/8/74 R.T.C.						
ADDED STD. TERMINAL SECTION MODIFIED NOTE 3/12/75						
ADDED BACK-UP PLATE NOTE. 5/11/76 R.F.R.						
REVISED TERMINAL CONNECTOR NOTE & DELETED STD. TERMINAL SECTION MOD. 8/4/76 R.F.R.						
APPROVED <i>[Signature]</i>					8-19-70	DATE
DIRECTOR OF HIGHWAYS						
<i>[Signature]</i>					8/19/70	DATE
DEPUTY DIRECTOR-CHIEF ENGINEER						



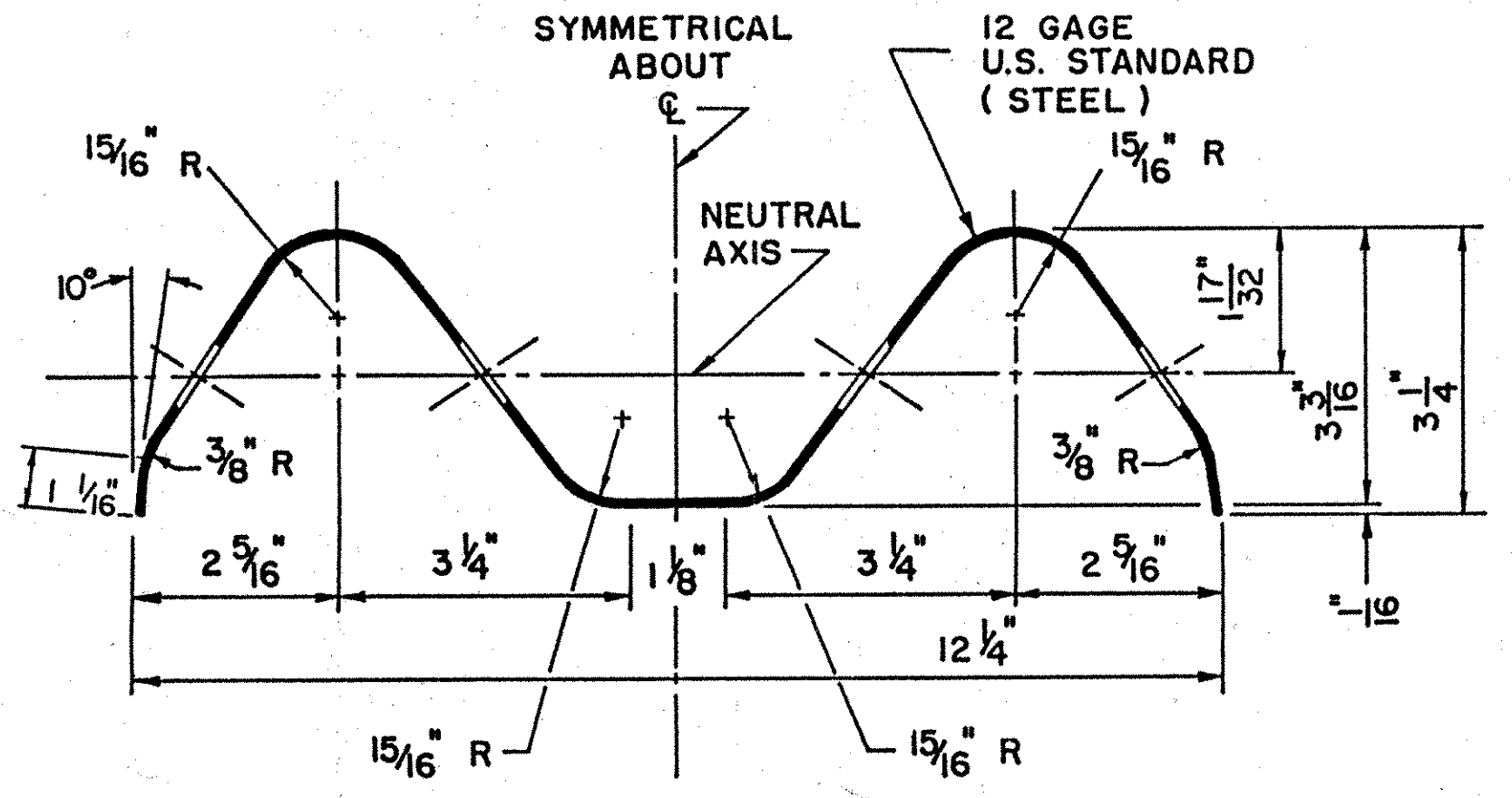
DETAIL TYPICAL RAIL SECTION



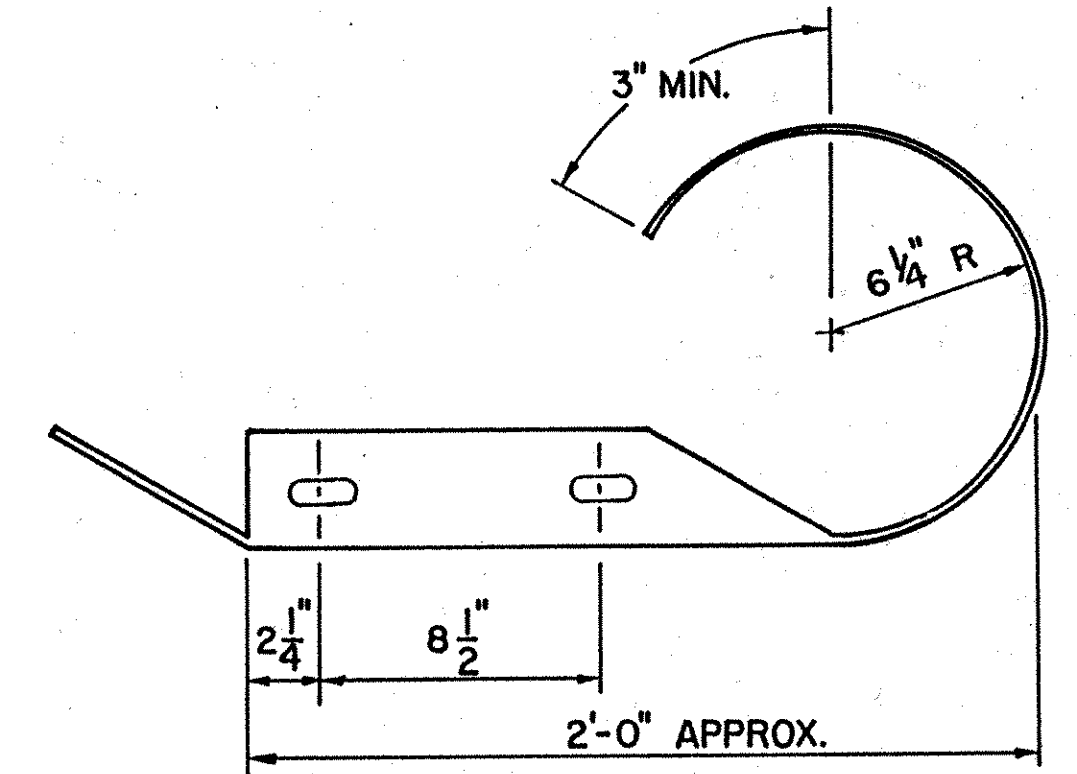
STANDARD TERMINAL SECTION MODIFIED ONLY TO BE USED WHEN CONNECTING TO EXISTING STRUCTURE.



END SECTION (FLARED)

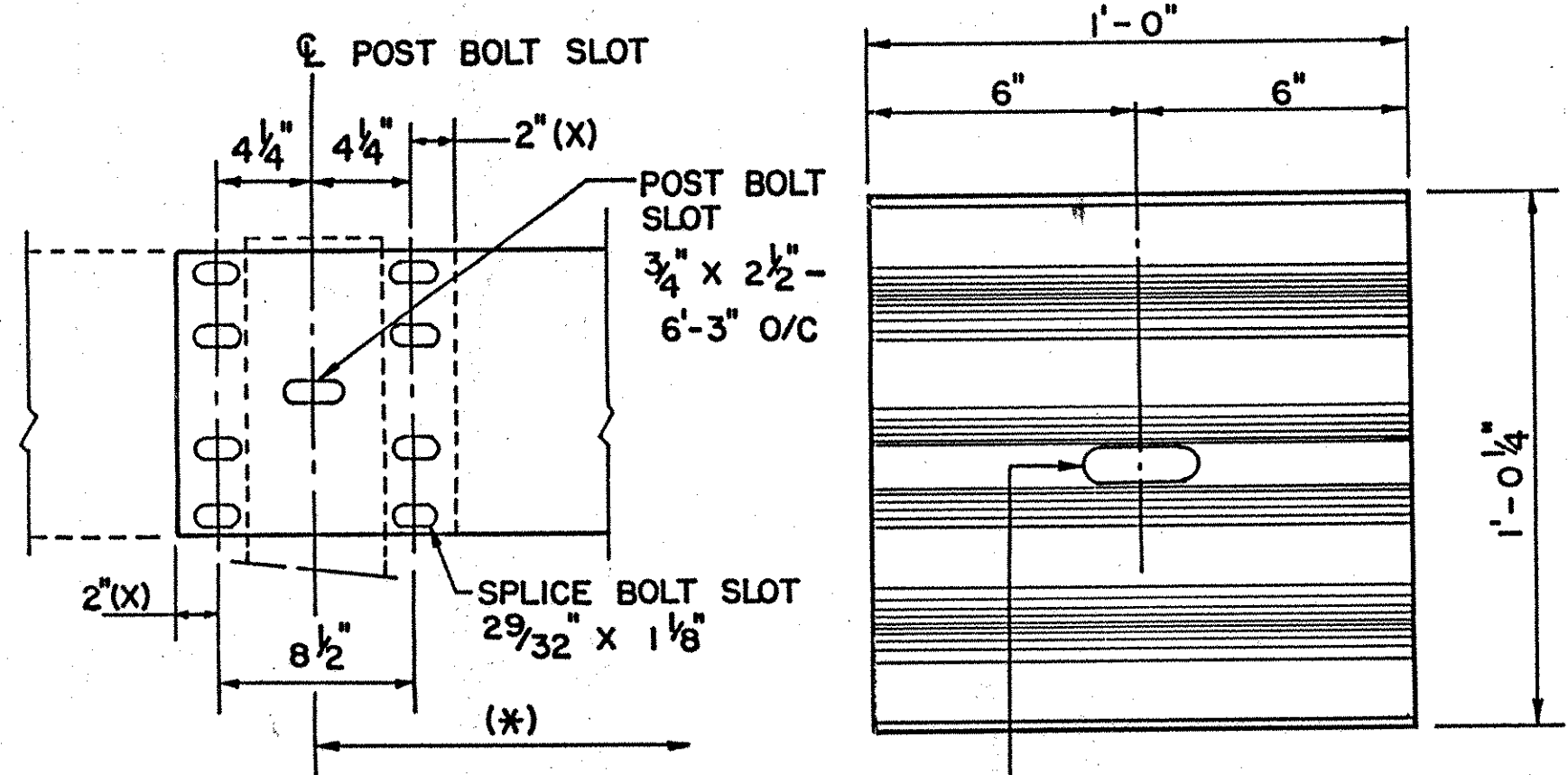


DETAIL RAIL ELEMENT



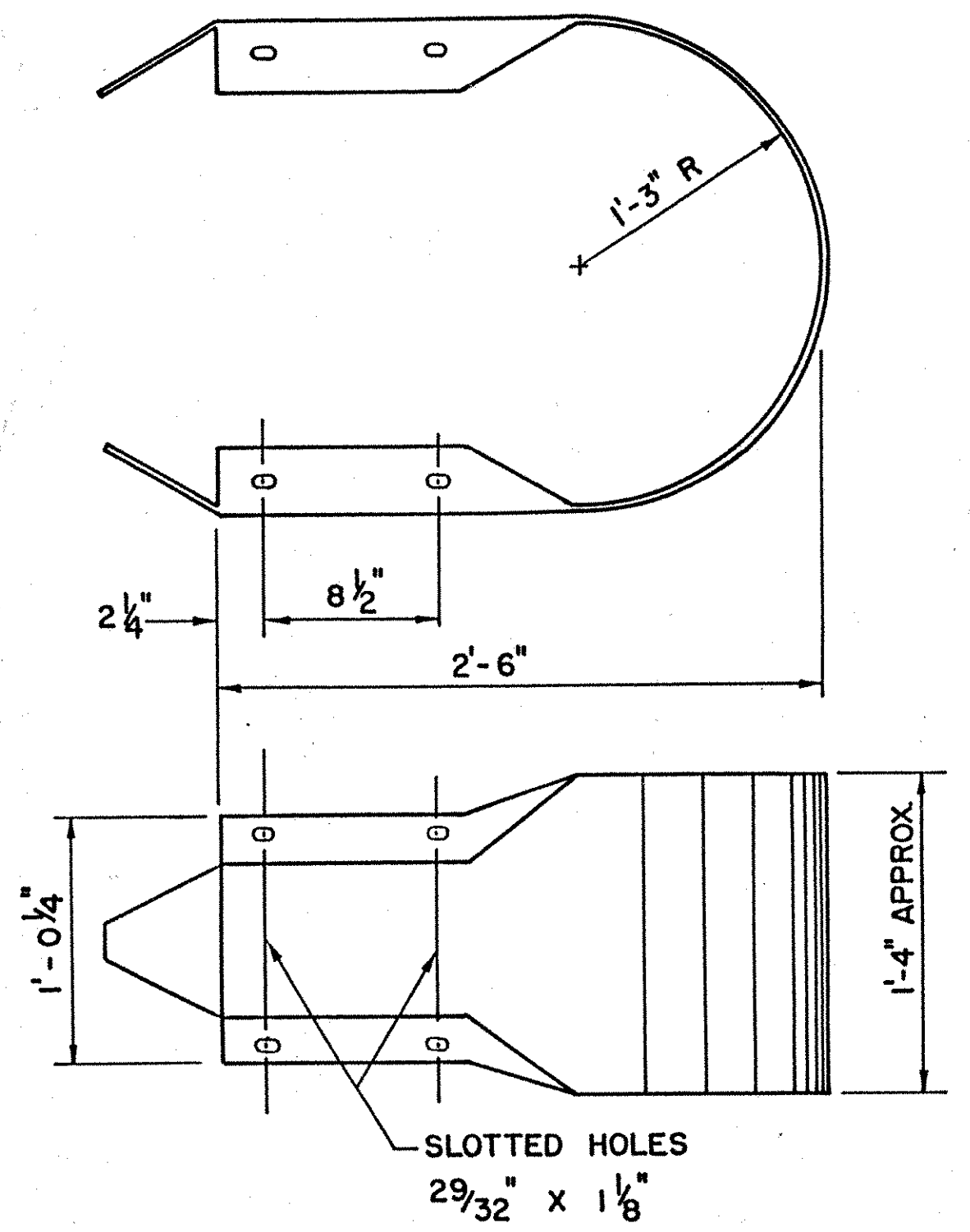
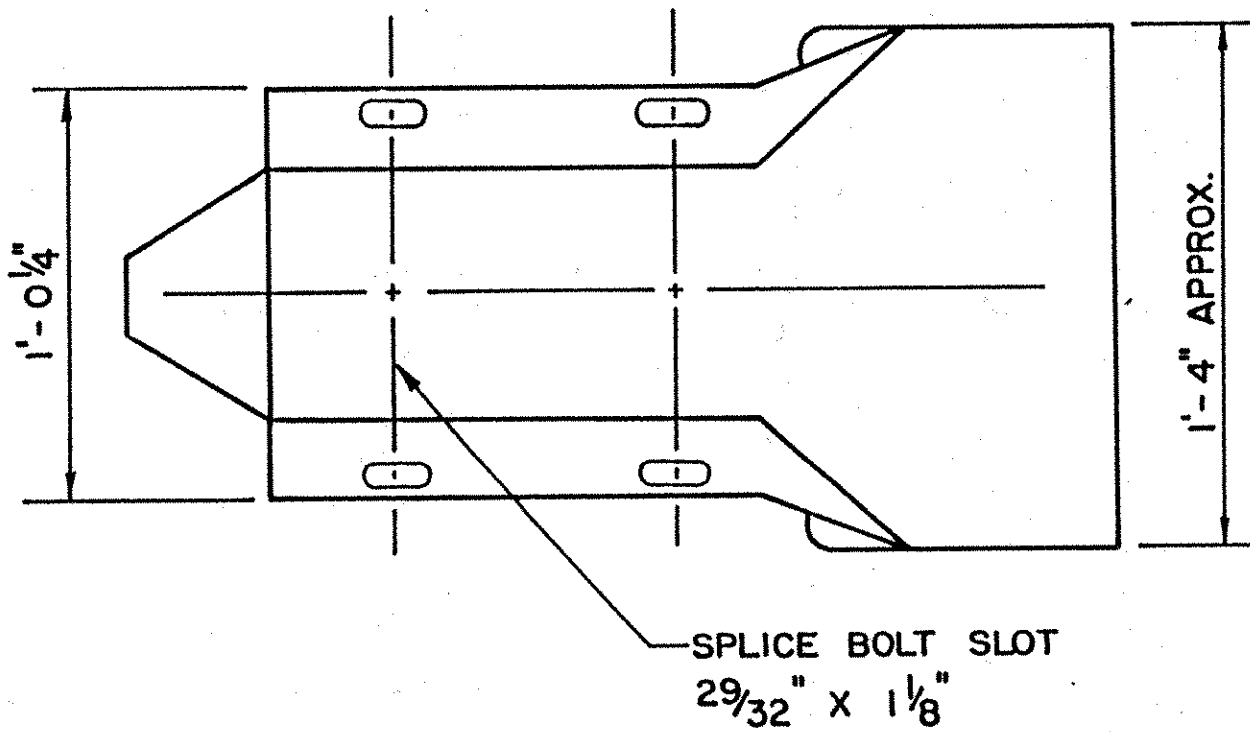
END SECTION (ROUNDED)

(X) TOLERANCE +1 1/4\"/>

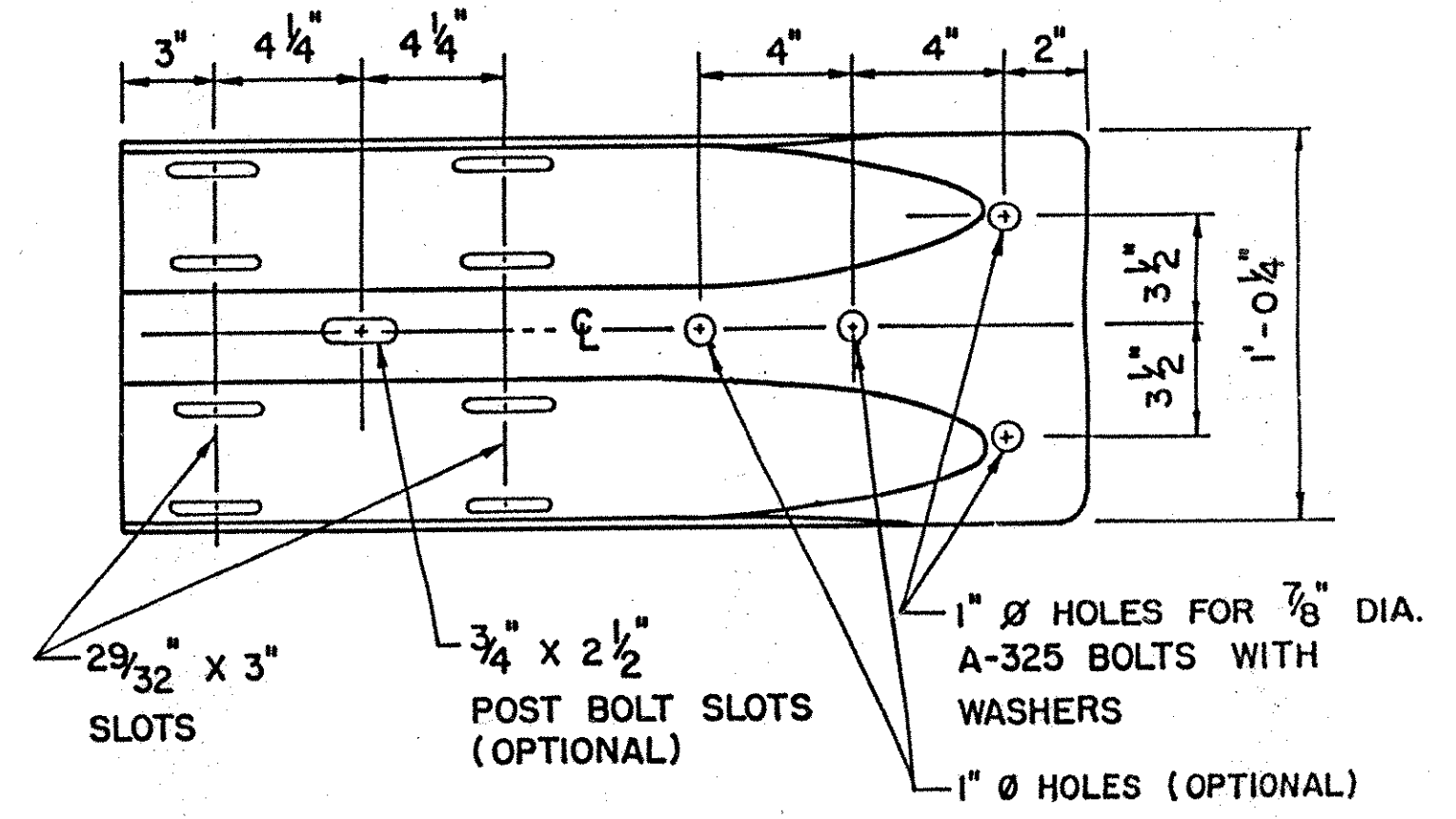
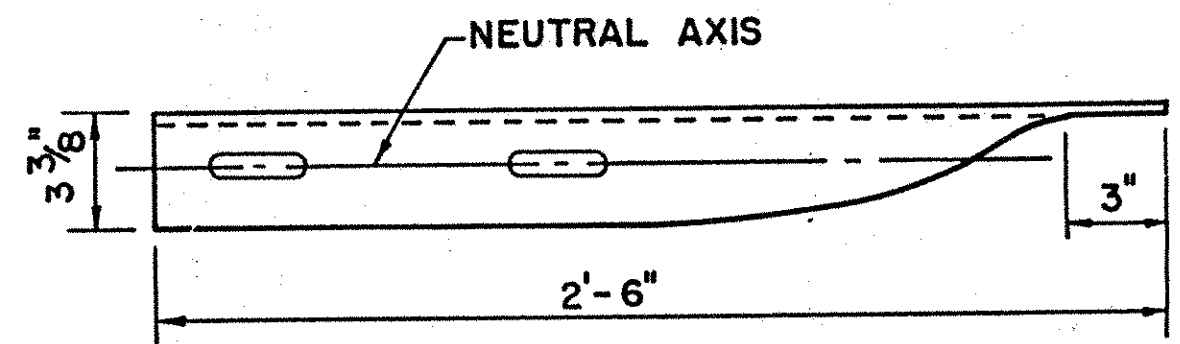


BEAM SPLICE

BACK-UP PLATE
BACK-UP PLATE SHALL BE PLACED BEHIND GUARDRAIL AT NON-SPLICE POSTS.



BUFFER END SECTION



TERMINAL CONNECTOR

NOTE:

- RAIL ELEMENTS INCLUDE THE BASIC RAIL ELEMENTS, SPLICES, AND SPECIAL RAIL SECTIONS SUCH AS TERMINALS FOR "W" BEAM GUARDRAIL AND "W" BEAM MEDIAN BARRIER SYSTEMS.
- USE 12 GAGE UNLESS OTHERWISE SPECIFIED.
- STANDARD TERMINAL SECTION MODIFIED TO BE 10 GAGE.
- SEE STANDARD SHEET G-4 FOR ALTERNATE 6" C STRONG POST DETAIL.